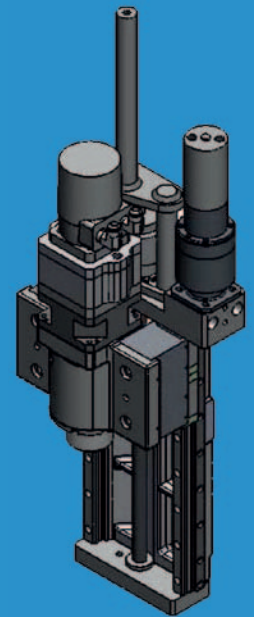
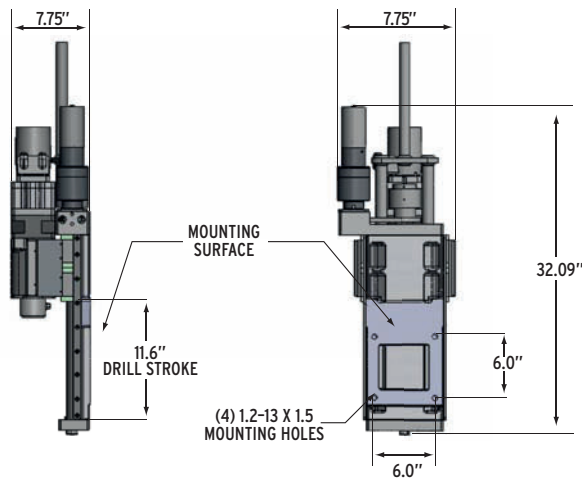
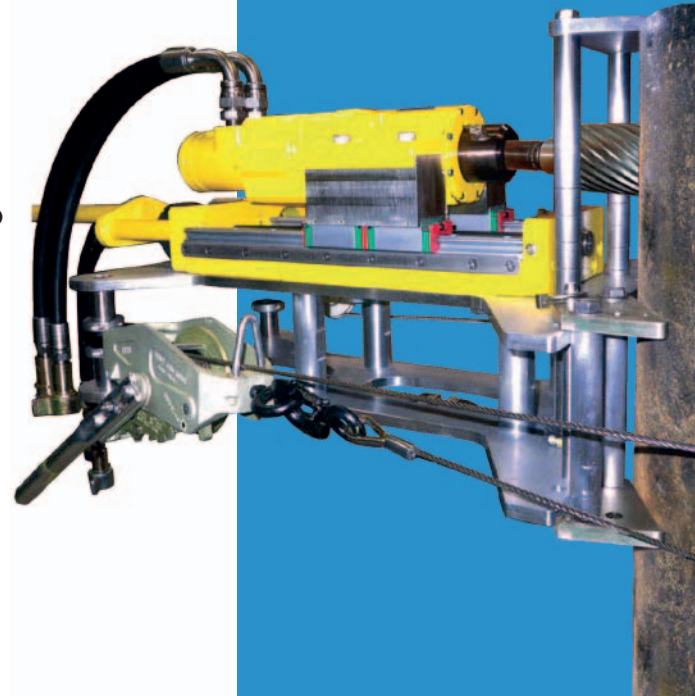




# Subsea Drill

The perfect drill for subsea and decommissioning projects, the Wachs SUBSEA DRILL is designed to meet the unexpected needs encountered in the field.

Built of corrosion resistant materials and sealed for use in 350 feet of seawater (150psi), this auto-feed, variable speed tool can drill up to 5" diameter holes.



## FEATURES

- Large hole diameter
- Variable speed hydraulic drive (250 RPM max)  
Max 15 GPM @ 1500 PSI (spindle drive)  
5 GPM @ 1500 PSI (auto feed)
- Hydraulic auto feed (0 - 0.56"/min)
- Corrosion resistant materials
- Sealed for use in up to 350 feet of seawater

## SPECIFICATIONS

Coated/corrosion resistant linear guides  
Spindle/gearbox sealed to 350' seawater (150 PSI)  
Field adjustable overload clutch  
Utilizes Morse Taper Tooling (#4 max)  
Anodized aluminum components  
Manual override on auto feed  
Shielded thrust bearings & grease port on feed screw  
Removable seal carrier  
Corrosion resistant SS precision acme feed screw  
Hydraulic drive motors  
Finish: powder coat yellow