

The perfect drill for industrial applications, the Wachs Multi-Axial Power Drill is extremely versatile, designed to meet the unexpected needs encountered in the field. It is built of corrosion resistant materials and totally configurable. Whatever your application, the new variable speed, Multi-Axial Power Drill will get the job done.

- Drill up to 5.25" holes
- Tap up to 2" pipe or plate
- Drill access holes for radiographic inspection
- Add prep details into pipe
- Perfect for header tube stub removal
- Easily remove lock down studs on wellheads
- Thermowell installation
- Install branch & lateral fittings
- Drill & bevel access holes
- Drill & tap structural steel





E.H. WACHS

Superior Equipment. Complete Support.

Multi-Axial Power Drill

FEATURES

VERSATILE MOUNTING OPTIONS

- Simple pipe mount
- Saddle chain mount directly to pipe 6" - 24" (152 mm - 610 mm)
- Other mounting configurations available

5 AXES OF ADJUSTMENT

- 3 linear and 2 rotational axes
- Drill off-center or at any inclination

INDUSTRY STANDARD

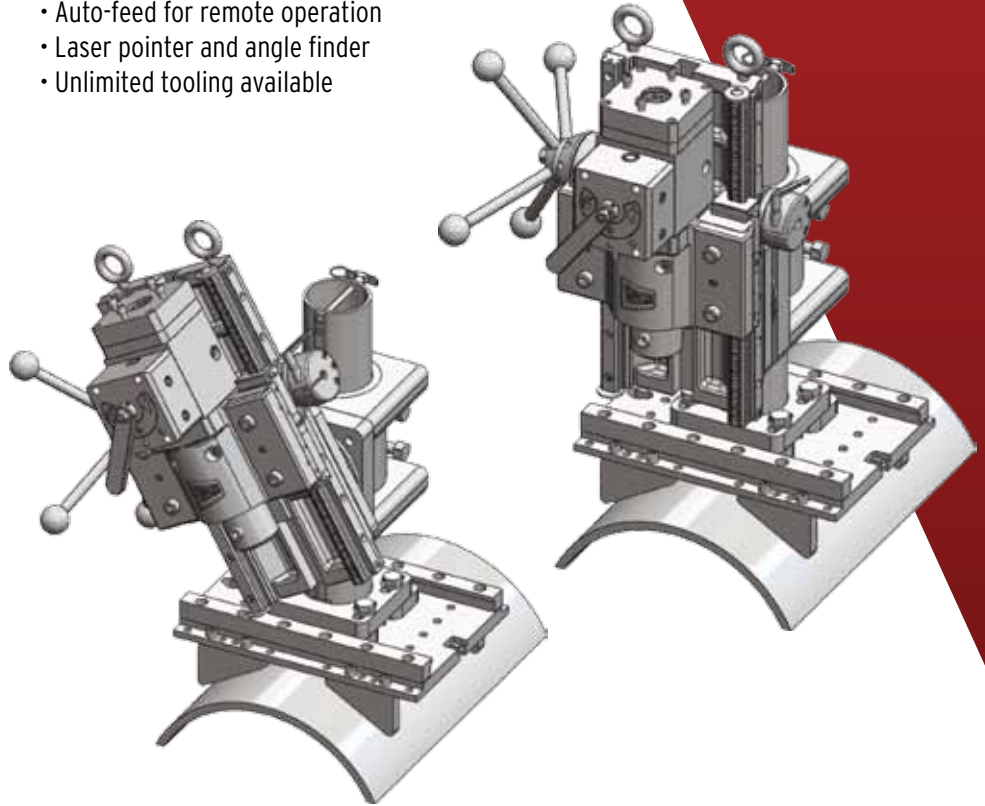
- 1 1/2" (38.1 mm) straight spindle
- Accepts up to #4 Morse Taper Tooling
- 5.25" tool diameter
- 11.25" (127 mm) spindle travel

WACHS QUALITY

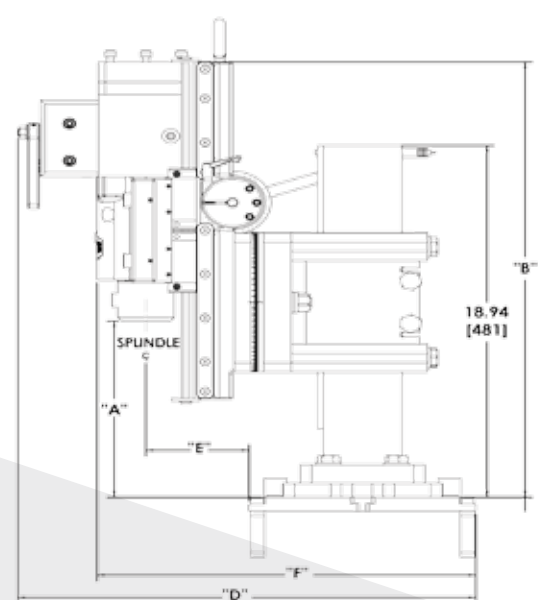
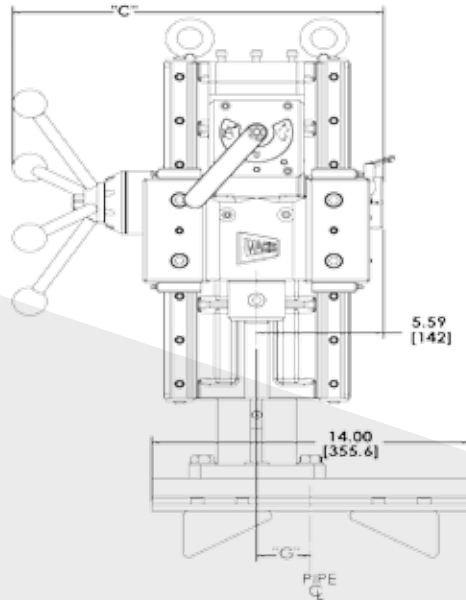
- Easy to maintain
- Optional 2-Speed gear box
- Rigid recirculating-ball linear guides
- One quick-setup hand tool (supplied)
- High torque gearing
- Materials and coatings for minimal weight and corrosion resistance

OPTIONS

- Available with various hydraulic and pneumatic motors
- Feed reduction to minimize operator fatigue
- 2-speed gear box
- Auto-feed for remote operation
- Laser pointer and angle finder
- Unlimited tooling available



"DIM"	76-000-04 WITH 76-402-00
A	MAX 19.18" [487.2mm] MIN -.309" [-7.9mm]
B	MAX 33.12" [841.2mm] MIN 13.63" [346.2mm]
C	16.34" [415.0mm]
D	MAX 20.78" [527.8mm] MIN 19.61" [498.1mm]
E	MAX 5.13" [130.3mm] MIN 3.96" [100.6mm]
F	—
G	MAX OFF PIPE CENTER LINE ±2.37" [60.3mm]



PIPE \varnothing 6" [152.4mm] - 24" [609.6mm]

E.H. WACHS

600 Knightsbridge Pkwy. • Lincolnshire, Illinois 60069 • 800.323.8185 • +1.847.537.8800 worldwide • +1.847.520.1147 fax

ehwachs.com