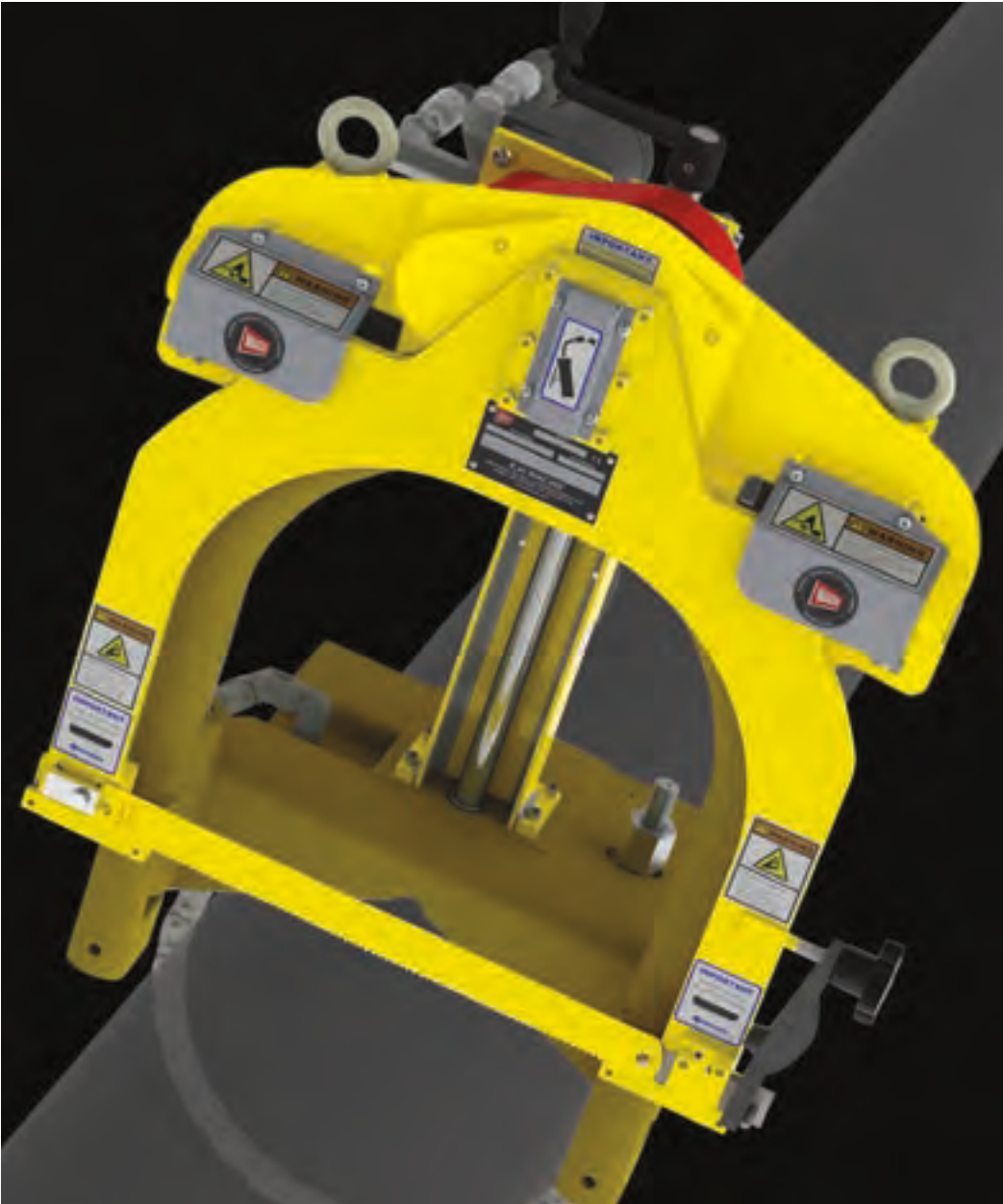


GUILLOTINE Saw



Famous "Wachs Saw" is used around the world



Unique elliptical stroke for extended blade life



Goliath Saw shown on large diameter conductor

Fast Setup & Cutting, both Horizontally or Vertically

E.H. Wachs family of portable Guillotine® pipe saws are designed to cold cut 2in - 32in (DN 50-800) pipe, as well as solids such as bar stock, rails and beams. Their compact design and easy setup make it the ideal saw for contractors, pipeline operations, refineries, petrochemical and processing plants and anywhere a fast, safe cut is needed.

In use virtually everywhere, Wachs Guillotine reciprocating saws are strong yet light, simple to mount, simple to operate and simply bulletproof. It's no wonder that when pipe saws are first mentioned, the "Wachs Saw" is mentioned first.



GUILLOTINE Saw

Super C, Model D, Super D, Goliath

- Rugged yet compact design requires minimal clearances
- Four models cut from 2in - 32in (DN 50-800)
- Fast setup and cutting, both horizontally or vertically
- Pneumatic, hydraulic and electric drive options
- Optional autofeed and autoclamping on select models

Easy setup, vertical or horizontal

A chain pipe vise clamps the Guillotine Saw to the pipe. The machined cast iron "V"-saddle base assures square cuts at right angles. It can be mounted on horizontal as well as vertical piping. Custom bases for unusual workpiece shapes such as I beams available by special order.

Quick cold cuts, minimal clearance

Wachs Guillotine saws require minimal clearance (the model Super C needs as little as 1.5in (38.1 mm) on one side of the pipe). All models feature finger tip feed control. The pipe is cold cut in a matter of minutes. A 6in (152.4 mm) standard wall steel pipe is cut in only 6 minutes. A 16in (406.4 mm) diameter 0.5in (12.7 mm) wall steel pipe is cut in about 20 minutes.

Portable, rugged design

The Guillotine Saws combine compact size and light weight with simple, rugged construction for ease of operation and low maintenance.

Long blade life

The high-speed steel blades are easily changed. The unique Guillotine cutting action lifts the blade from the cut on the return stroke, extending blade life.

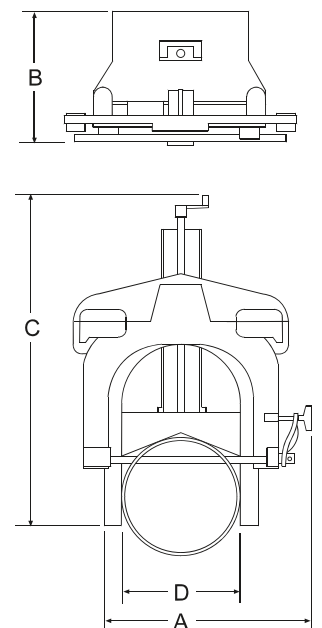
DIMENSIONS	UNITS	SUPER C	MODEL D	SUPER D	GOLIATH
Machine capacity	mm	DN 50-300	DN 150-450	DN 250-600	DN 400-800
	inch	2-12	6-18	10-24	16-32
Solids through	mm	324	473	622	838
	inch	12.75	18.625	24.5	33
Clearance overall width (on one side min.)	mm	711 (63.5)	813 (76)	991 (76)	1.676
	inch	28 (2.5)	32 (3)	39 (3)	66
Weight (operating / shipping)	kg	52 / 82	154 / 188	234 / 281	816.5
	lb	115 / 180	340 / 415	515 / 620	1800
Dimension A	mm	596,9	794	972	1676.4
	inch	23.5	31.25	38.25	66
Dimension B	mm	323,85	368	368	635
	inch	12.75	14.5	14.5	25
Dimension C	mm	800	940	1118	1943
	inch	31.5	37	44	76.5
Dimension D	mm	337	476	629	838
	inch	13.25	18.75	24.75	33
Stroke	mm	51	51	102	
	inch	2	2	4	
Shipping dimensions (estimated)	cm	66 x 74 x 56	160 x 119 x 74		
	inch	26 x 29 x 22	63 x 47 x 29		



Guillotine Super C



Long blade life



GUILLOTINE Specifications

Specifications

Drive options: Pneumatic or hydraulic (Goliath only with hydraulic drive)

Pneumatic drive: 50 ft³/min at 85 psi (1.4 m³/min at 5.0 BAR)

Electric drive: 15 A, 110 or 220 Volt single phase

Hydraulic drive: 10gal/min at 1500 psi (38 l/min at 106 BAR)

Controls: Single crank, manual feed. Motor on-off.

Lubrication: Grease fittings at all wear points

Finish: Powder coat frame with zinc coated bow

Standard equipment

- Drive motor (pneumatic or hydraulic)
- 1 Standard saw blade
- Wrench 1 1/4in (31.75 mm)
- Air lubricator and filter (Air Model)
- Steel storage case (Model C and D only)
- Lifting eyes (Model D and Super D)
- Mounting chains
- Manual

Optional equipment

- Blades: HSS and carbide blades (depending on the machine version)
- Control Panel for remote operation
- Autoclamp mechanism
- Autofeed mechanism
- Custom mounting bases

Guillotine Saw Kits

DESCRIPTION	PIPE OD	CODE	PART #
Super C Pneumatic	2-12in (DN 50-300)	924 000 020	24-000-02
Super C Hydraulic	2-12in (DN 50-300)	924 000 030	24-000-03
Super C Autoclamp Hydraulic	2-12in (DN 50-300)	ON REQUEST	P06-150-502
Super C Autoclamp & Autofeed Hydraulic	2-12in (DN 50-300)	ON REQUEST	P06-150-500
Model D Pneumatic	6-18in (DN 150-457)	904 000 020	04-000-02
Model D Hydraulic	6-18in (DN 150-457)	904 000 030	04-000-03
Super D Pneumatic	10-24in (DN 250-610)	925 000 010	25-000-01
Super D Hydraulic	10-24in (DN 250-610)	925 000 030	25-000-03
Super D Autoclamp Hydraulic	10-24in (DN 250-610)	ON REQUEST	P06-150-512
Super D Autoclamp & Autofeed Hydraulic	10-24in (DN 250-610)	ON REQUEST	P06-150-510
Goliath Hydraulic	16-32in (DN 400-800)	ON REQUEST	P06-150-523
Goliath Autoclamp Hydraulic	16-32in (DN 400-800)	ON REQUEST	P06-150-522
Goliath Autoclamp & Autofeed Hydraulic	16-32in (DN 400-800)	ON REQUEST	P06-150-520



Guillotine cutting pipe



Guillotine Goliath cutting powerplant turbine shaft



Cuts a wide variety of materials



Guillotine cutting wellhead

Miscellaneous Accessories & Spare Parts

DESCRIPTION	MODEL COMPATIBILITY				CODE	PART #
	MODEL C	SUPER C	MODEL D	SUPER D		
Air motor conversion (replaces all obsolete motors)	x				903 414 000	03-414-00
Lubricator retrofit kit	x	x	x	x	903 500 100	03-500-10
Spare parts kit	x	x			903 500 010	03-500-01
Spare parts kit			x		904 500 010	04-500-01
Spare parts kit				x	925 500 010	25-500-01
Manual - Electronic version via e-mail available free upon request.					903 626 010	03-MAN-01



Gasoline Powered
HPU Hydraulic Power Unit

Hydraulic Power Units

For available Hydraulic Power Unit options, see page 76.

Cutting Lubrication








Water soluble, fully synthetic cooling fluid that extends the life of tool bits. This biodegradable, non-hazardous, well corrosion resistant mixture was developed conforming to drinking water requirements according to DVGW work sheet W521 (thread cutting compounds for drinking water installations).

DESCRIPTION	VERSION	WEIGHT	CODE
Cutting lubrication KSS-TOP	Pump sprayer with 500 ml	1.39 lb (630 g)	790 060 226
Cutting lubrication KSS-TOP refill canister	Canister with 10 l	24.25 lb (11 kg)	790 060 227



Cutting Lubrication KSS Top

Saw Blades

PROFILE	DESCRIPTION	APPLICATION	CODE	PART #
	Model C HSS standard blade	For general use	903 405 000	03-405-00
	Model Super C standard blade - general use	Carbon steel pipe, stainless steel and other high alloy materials	924 405 000	24-405-00
	Model Super C carbide blade	Cast, ductile and concreted lined pipe	924 405 010	24-405-01
	Model D HSS standard blade	Carbon steel pipe, stainless steel and other high alloy materials	904 402 000	04-402-00
	Model D carbide blade	Cast, ductile and concreted lined pipe	904 405 010	04-405-01
	Model Super D heavy duty blade	Carbon steel pipe, stainless steel and other high alloy materials	925 402 000	25-402-00
	Goliath heavy duty blade	For general use	906 150 701	P06-150-701