



E.H. Wachs  
600 Knightsbridge Parkway  
Lincolnshire, IL 60069  
[www.ehwachs.com](http://www.ehwachs.com)

## DynaPrep MDSF Maintenance Manual



E.H. Wachs Part No. 69-MAN-02  
Rev. C, January 2017

#### Revision History:

Rev. A    October 2015  
Rev. B    January 2016

Copyright © 2017 E.H. Wachs. All rights reserved.  
This manual may not be reproduced in whole or in part  
without the written consent of E.H. Wachs.



# Table of Contents

<b>Chapter 1: About this Manual</b> .....	<b>1</b>
Purpose of This Manual .....	1
How to Use The Manual .....	1
Symbols and Warnings .....	2
Safety Information .....	2
Ordering Information .....	2
Ordering Replacement Parts .....	3
Repair Information .....	3
Warranty Information .....	3
Return Goods Address .....	3
<b>Chapter 2: Service and Repair Instructions</b> .....	<b>5</b>
Bearing Adjustment .....	5
Slide Adjustment .....	6
Adjusting the Slide Tension .....	7
Reversing the Rail Covers .....	11
<b>Chapter 3: Machine and Ring Assemblies</b> .....	<b>15</b>
6" MDSF, 69-0000-06 .....	16
8" MDSF, 69-0000-08 .....	17
10" MDSF, 69-0000-10 .....	18
12" MDSF, 69-0000-12 .....	19
14" MDSF, 69-0000-14 .....	20
16" MDSF, 69-0000-16 .....	21
18" MDSF, 69-0000-18 .....	22
20" MDSF, 69-0000-20 .....	23
24" MDSF, 69-0000-24 .....	24
28" MDSF, 69-0000-28 .....	25
32" MDSF, 69-0000-32 .....	26
36" MDSF, 69-0000-36 .....	27
6" and 8" Rotating Ring Assembly, 69-4000-XX .....	28
10"-48" Rotating Ring Assembly, 69-4000-XX .....	29
54" and 60" Rotating Ring Assembly, 69-4000-XX .....	30
6" Stationary Frame Assembly, 69-4001-06 .....	31
8" Stationary Frame Assembly, 69-4001-08 .....	32
10" Stationary Frame Assembly, 69-4001-10 .....	33
12" Stationary Frame Assembly, 69-4001-12 .....	34
14" Stationary Frame Assembly, 69-4001-14 .....	35
16" Stationary Frame Assembly, 69-4001-16 .....	36
18" Stationary Frame Assembly, 69-4001-18 .....	37
20" Stationary Frame Assembly, 69-4001-20 .....	38
24" Stationary Frame Assembly, 69-4001-24 .....	39

28" Stationary Frame Assembly, 69-4001-28 .....	40
32" Stationary Frame Assembly, 69-4001-32 .....	41
36" Stationary Frame Assembly, 69-4001-36 .....	42
42" Stationary Frame Assembly, 69-4001-42 .....	43
48" Stationary Frame Assembly, 69-4001-48 .....	44
54" Stationary Frame Assembly, 69-4001-54 .....	45
60" Stationary Frame Assembly, 69-4001-60 .....	46
Axial Adjustment Leg, 69-3062-00 .....	47
Screw Clamp Assembly, 69-4500-02 .....	47

**Chapter 4: Drives, Drive Adapters, and Power Accessories ..... 49**

Pinion Assembly, 1/2" Square Drive, 69-3025-01 .....	50
Pinion Front Drive Sub-Assembly, 69-3038-00 .....	51
Legacy Pinion Assembly, 69-4480-01 .....	52
Front Drive Legacy Pinion Assembly, 69-4481-00 .....	52
Standard Pinion Assembly, 69-4482-01 .....	53
Motor, 3 HP Air, 69-4351-00 .....	54
Motor, 1.5 HP Air, Right Angle with Handle (CE), 69-4352-00 .....	55
Motor, 1.5 HP Air, Right Angle with Handle, 69-4354-00 .....	56
Motor, 4 HP Air, 69-4355-00 .....	57
Motor, 3 HP Air with Handle, 69-4353-01 .....	57
3 HP Air Motor Handle Assembly, 69-3030-00 .....	58
Motor, 4 HP Air with Handle, 69-4356-00 .....	58
4 HP Air Motor Handle Assembly, 69-3028-00 .....	59
Remote Air Control Module, 69-4101-00 .....	60
ACM and Bracket Assembly, 69-3061-00 .....	61
Start/Stop Mounting Plate Assembly, 69-3059-00 .....	62
Air Treatment Module, 69-4102-00 .....	62
FRL and Bracket Assembly, 69-3042-00 .....	63
Hydraulic Drive Assembly, 69-4358-00 .....	64
Hydraulic Drive Assembly, Remote, 69-4358-01 .....	65
Hydraulic Manifold Sub-Assembly, 69-3026-00 .....	66
Electric Power Drive (230 V, 1 Phase), 69-4357-01 .....	67
Electric Power Drive (220-480 V, 3 Phase), 69-4357-03 .....	67

**Chapter 5: Tool Slides and Trips ..... 69**

Standard Slides .....	69
Slide Assembly .....	70
Counterbore Slides .....	71
3" Counterbore Housing Assembly, 69-3022-03 .....	72
6" Counterbore Housing Assembly, 69-3022-06 .....	72
3" Counterbore Bar Assembly, 69-3023-03 .....	73
Counterbore Base Assembly, 69-3024-00 .....	74
O.D. Tracking Slides .....	75
O.D. Tracking Slide, 69-4604-01 .....	75

O.D. Tracking Slide Sub-Assembly, 69-3036-01 .....	76
O.D. Tracking Slide Tool Holder Assembly, 69-3035-00 .....	77
Bridge Slide Adapter Kit, 69-5300-00 .....	77
Trip Assemblies .....	78
Manual Trip, 69-3018-00 .....	78
Pneumatic Trip with Remote Control, 69-4741-00 .....	78
Pneumatic Trip Remote Control, 69-3045-00 .....	79
Pneumatic Trip Assembly, 69-3047-00 .....	79
Pneumatic Trip, 69-3020-00 .....	80
Dual Trip Assembly, 69-3046-00 .....	80
Spring Loaded Trip Assembly for O.D. Tracking Slides, 69-4744-01 .....	81



# Chapter 1

## About this Manual

---

### PURPOSE OF THIS MANUAL

This manual explains how to operate the DynaPrep MDSF split frame machine. It includes safety information for safely operating the machine, preventive maintenance guidelines, and troubleshooting procedures.

Before operating the DynaPrep, you should read through this manual and become familiar with all instructions.

A separate maintenance manual is provided. The *DynaPrep MDSF Maintenance Manual* includes service and repair information, and parts drawings, Drive Adapters, and Power Accessories with ordering information.

---


### HOW TO USE THE MANUAL


This manual is organized into the following chapters:


- **Chapter 2, Service and Repair Instructions**, describes adjustment and repair procedures that the DynaPrep owner can perform. Note that standard preventive maintenance procedures are described in the *MDSF Operator's Manual*.
- **Chapter 3, Machine and Ring Assemblies**, contains drawings and parts lists for DynaPrep MDSF machine assemblies and components of the rings.
- **Chapter 4, Drives, Drive Adapters, and Power Accessories**, contains drawings and parts lists for drive motors and drive assembly components.
- **Chapter 5, Tool Slides and Trips**, contains drawings and parts lists for all slides and trip assemblies available for the DynaPrep MDSF.


## SYMBOLS AND WARNINGS

The following symbols are used throughout this manual to indicate special notes and warnings. Make sure you understand what each symbol means, and follow all instructions for cautions and warnings.

 <b>WARNING</b>	A <b>WARNING</b> alert with the safety alert symbol indicates a potentially hazardous situation that <b>could</b> result in <b>serious injury or death</b> .
--	--

 <b>CAUTION</b>	A <b>CAUTION</b> alert with the safety alert symbol indicates a potentially hazardous situation that <b>could</b> result in <b>minor or moderate injury</b> .
--	---

 <b>ATTENTION</b>	This is the <b>equipment damage alert symbol</b> . It is used to alert you to <b>potential equipment damage situations</b> . Obey all messages that follow this symbol to avoid damaging the equipment or workpiece on which it is operating.
--	---

 <b>NOTE</b>	This symbol indicates a user note. <b>Notes</b> provide additional information to supplement the instructions, or tips for easier operation.
--	--

---

## SAFETY INFORMATION

Refer to Chapter 2, “Safety”, in the *DynaPrep MDSF Operator’s Manual* for safe operation and handling instructions. Note the weights of DynaPrep machine assemblies and use appropriate lifting devices if necessary.

---

## ORDERING INFORMATION

To place an order, request service, or get more detailed information on any E.H. Wachs products, call us at one of the following numbers:

U.S.                800-323-8185  
International: 847-537-8800

You can also visit our Web site at:

[www.ehwachs.com](http://www.ehwachs.com)



## **Ordering Replacement Parts**

When ordering parts, refer to the drawings and parts lists in Chapters 3-5. Please provide the part description and part number for all parts you are ordering.

## **Repair Information**

Please call us for an authorization number before returning any equipment for repair or factory service. We will advise you of shipping and handling. When you send the equipment, please include the following information:

- Your name/company name
- Your address
- Your phone number
- A description of the problem or the work to be done.

Before we perform any repair, we will estimate the work and inform you of the cost and the time to complete it.

## **Warranty Information**

Enclosed with the manual is a warranty card. Please fill out the registration card and return to E.H. Wachs. Retain the owner's registration record and warranty card for your information.

## **Return Goods Address**

Return equipment for repair to the following address.

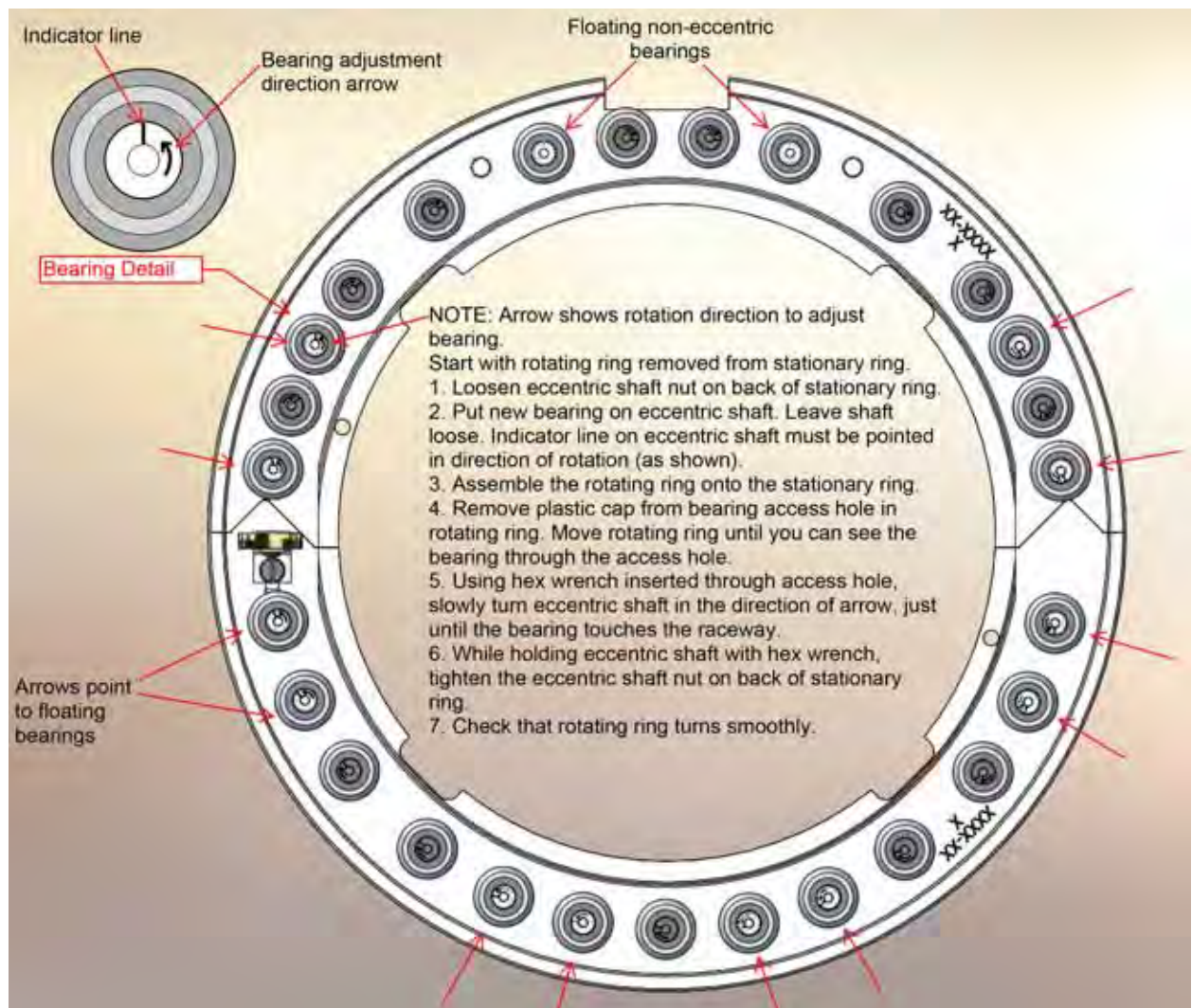
E.H. Wachs  
600 Knightsbridge Parkway  
Lincolnshire, Illinois 60069 USA



## Chapter 2

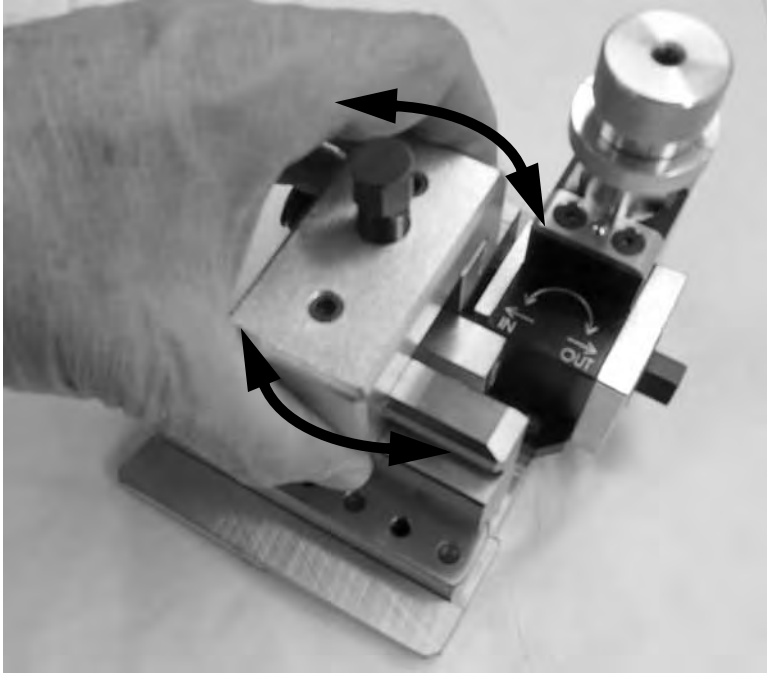
# Service and Repair Instructions

## BEARING ADJUSTMENT



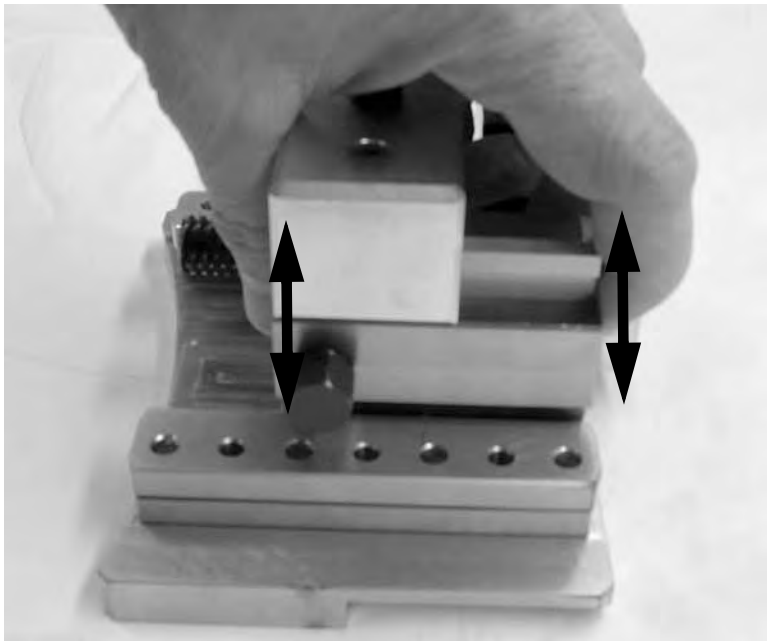
## SLIDE ADJUSTMENT

Every time you use the MDSF slides, check to make sure the male slide is tight, with no play in the slide base.



*Figure 2-1. With the slide on a workbench, hold the tool saddle and try to wiggle it side to side between the rails.*

- The saddle should be tight between the rails, with no side-to-side play.
- If you can wiggle the saddle side to side, see “Adjusting the Slide Tension” below.



*Figure 2-2. Next, try tipping the saddle front to back or up and down. This may be easier with a tool mounted in the tool holder for leverage.*

- The saddle should be tight, with no up-and-down play.
- If you can wiggle the saddle up and down, see “Reversing the Rail Covers” below.

## Adjusting the Slide Tension

Adjust the slide tension using the tension screws in the adjustable rail. There are no tension screws in the fixed rail.

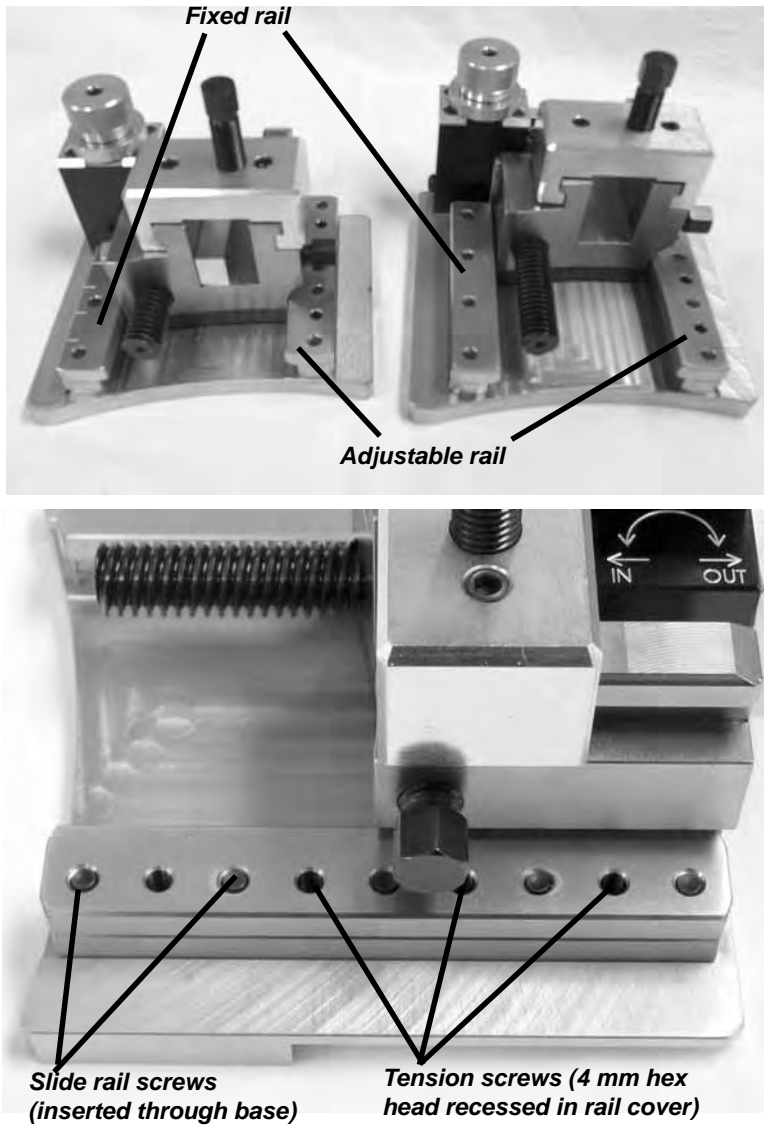
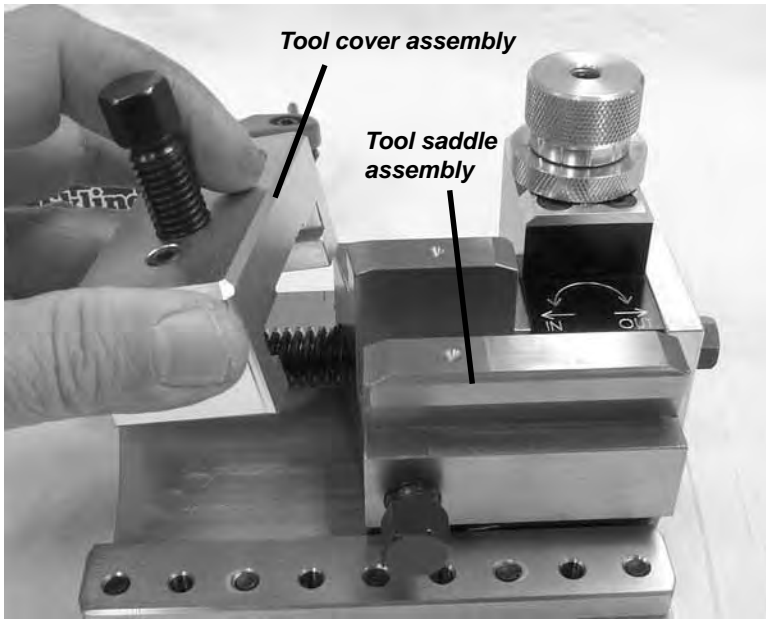
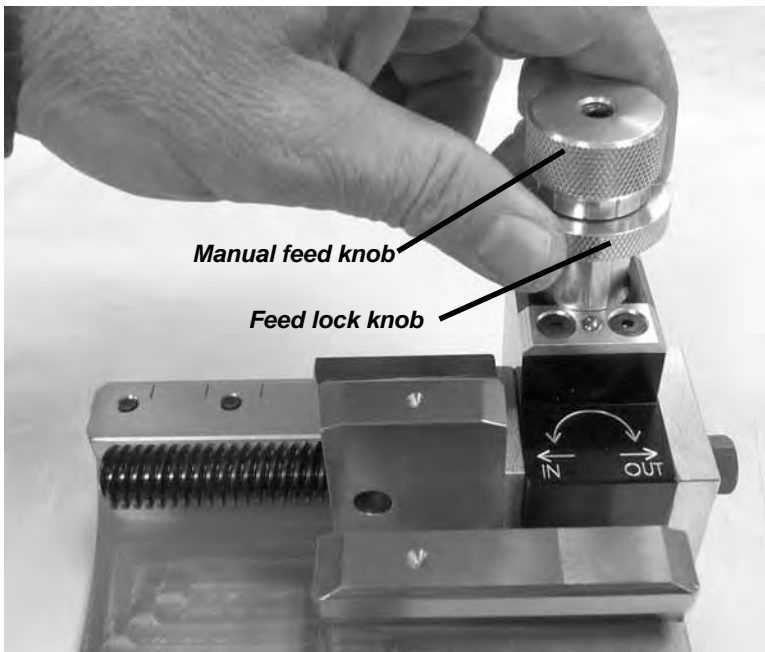


Figure 2-3. Use the tension screws in the adjustable rail to adjust the slide feed tension. Tension screws alternate with the slide rail screws.

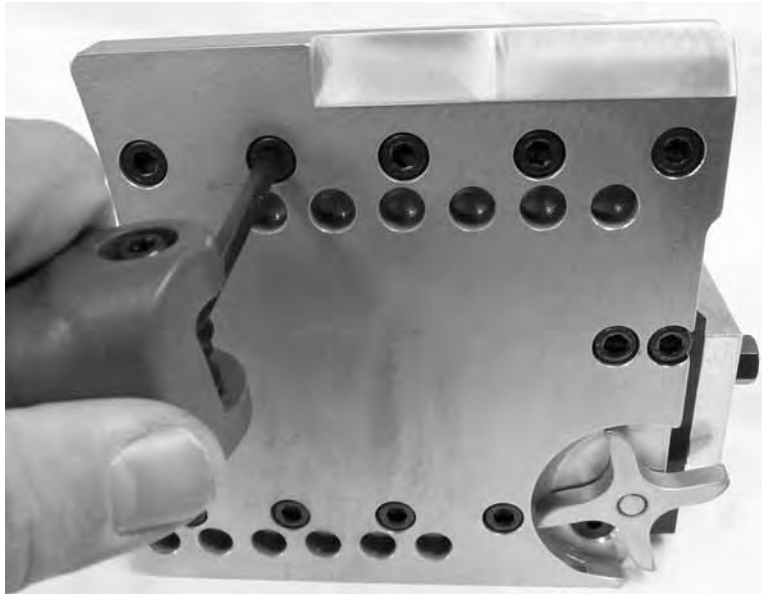
- 1.5" and 2.5" slides shown.
- Larger slides have more screws in the rails, but adjustment procedure is the same.



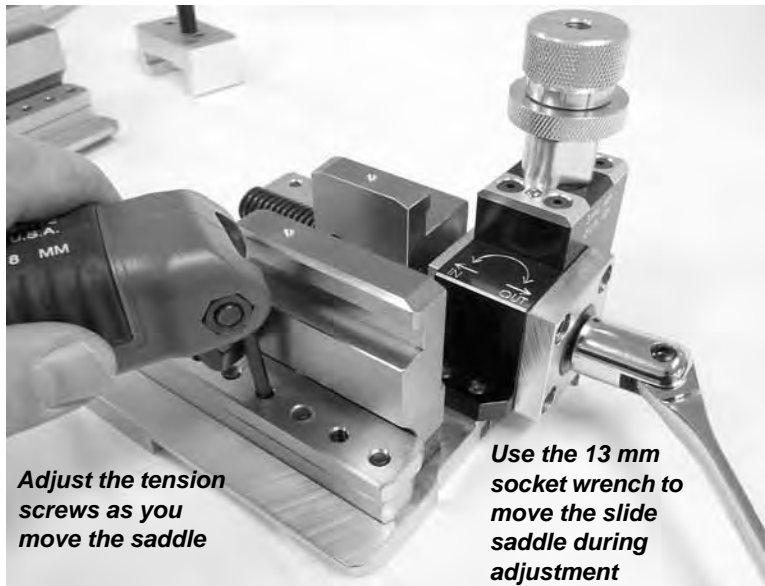
1. Remove the tool cover assembly.
  - Loosen the 2 set screws (4 mm hex wrench), then slide the assembly off the saddle.



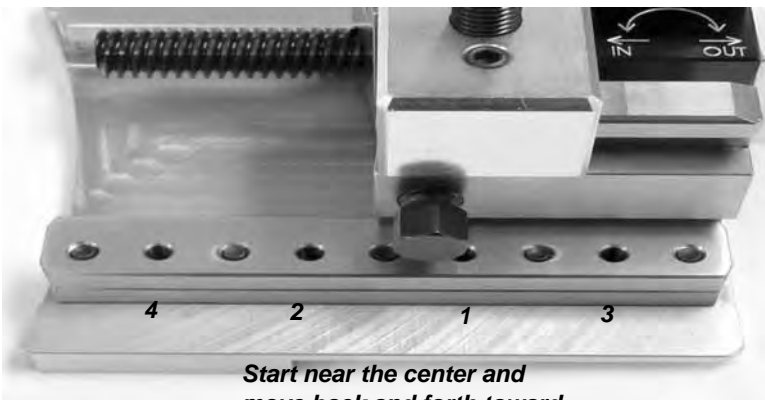
2. Disengage the feed so you can move the slide using the rapid retract.
  - Loosen the feed lock knob by pressing down and turning it clockwise.
  - Unscrew the manual feed knob until it spins freely.
  - Turn the feed lock knob counter-clockwise to hold the feed knob up in the disengaged position.

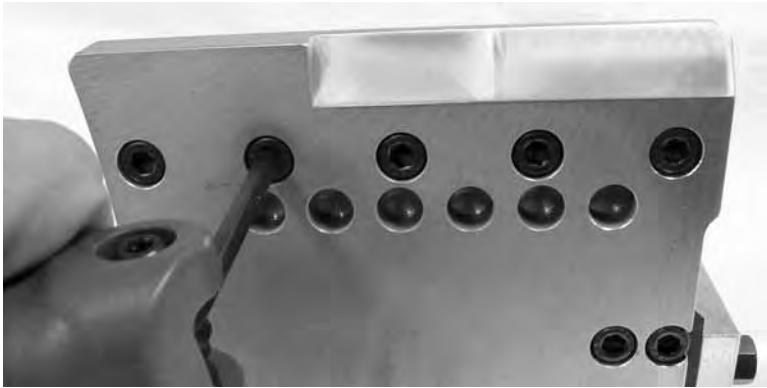


- 3.** On the bottom of the slide, loosen the slide rail screws in the adjustable rail.
- Use a 5 mm hex wrench.
  - Turn the screws to loosen them, then re-snug them so the rail doesn't move freely.
  - Do not loosen the screws in the fixed rail.



- 4.** Starting in the center of the rail cover, adjust the slide tensions screws and turn the rapid retract nut to feel the tension on the slide all along the length of travel.
- Use a 4 mm hex wrench for the tension screws.
  - The rapid retract nut should turn smoothly and easily using the socket wrench. You should **not** be able to turn the nut with your fingers.
  - Move the slide saddle to the location of each tension screw when adjusting the screw.
  - Work from the center of the slide, moving the saddle and adjusting each tension screw near the middle of the saddle.
  - Check for smooth feed motion with consistent tension along the full length of travel. Re-adjust the screws as necessary.





- 5.** Re-tighten the slide rail screws on the bottom of the slide.
- Check the tension again by feeding the slide through the full range of travel.
  - If necessary, loosen the slide rail screws and repeat the adjustment procedure.



## Reversing the Rail Covers

Wear on the bottom of the rail covers may result in play between the male slide and the slide base. The rail covers are designed to be installed with either side up. When the covers wear enough to allow play, remove them and turn them over.

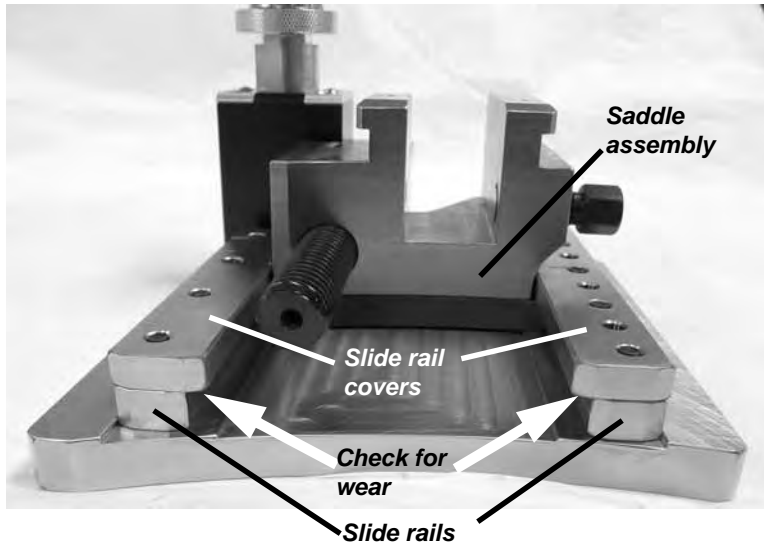
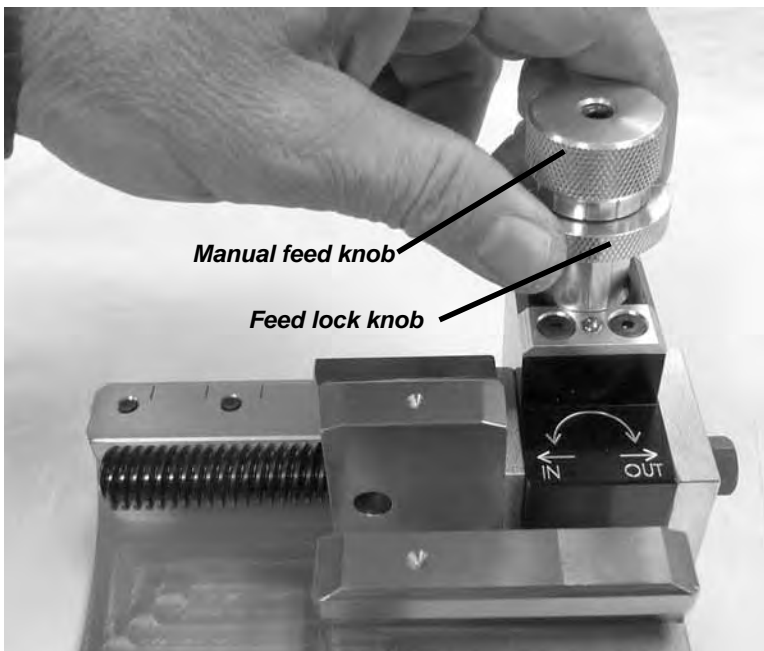
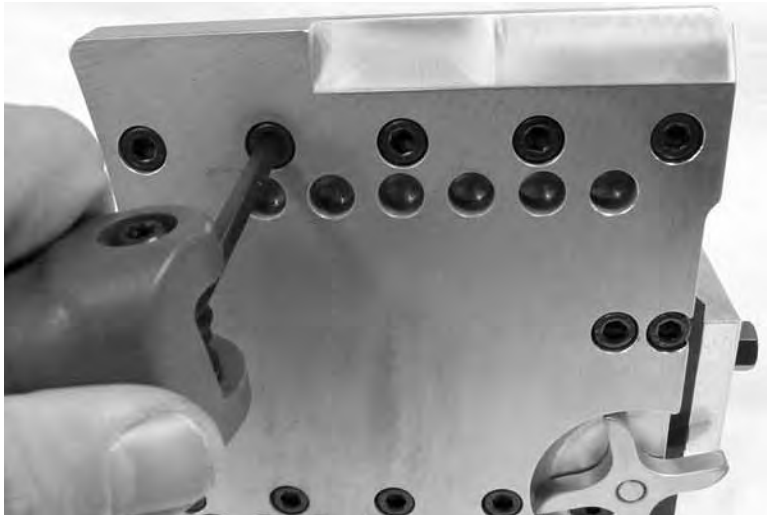


Figure 2-4. Wear on the bottom of the slide rail covers can cause play or wiggle in the slide.

- If you can tip the saddle up and down, the rail covers may be worn.
- The rail covers can be installed either side up. When one side is worn, turn them over.
- When both sides of the covers are worn, the slide base assembly will need to be replaced.

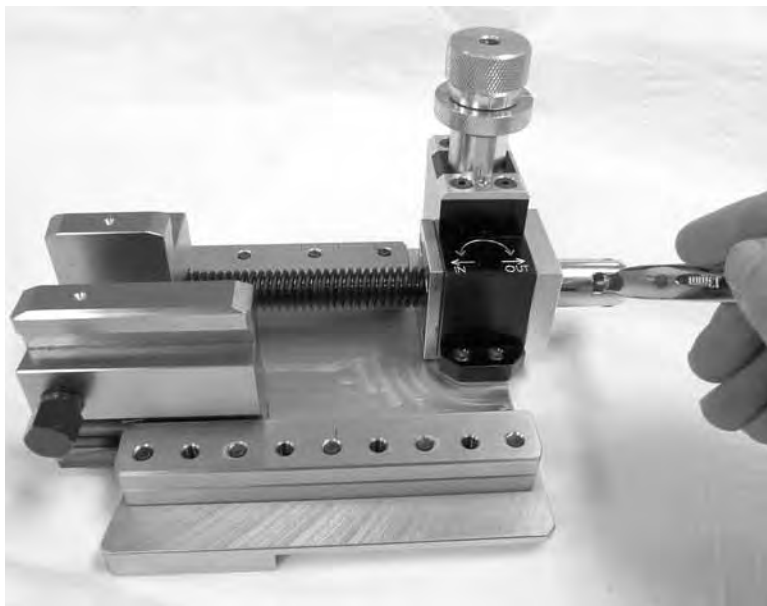


1. Disengage the feed so you can move the slide using the rapid retract.
  - Loosen the feed lock knob by pressing down and turning it clockwise.
  - Unscrew the manual feed knob until it spins freely.
  - Turn the feed lock knob counter-clockwise to hold the feed knob up in the disengaged position.

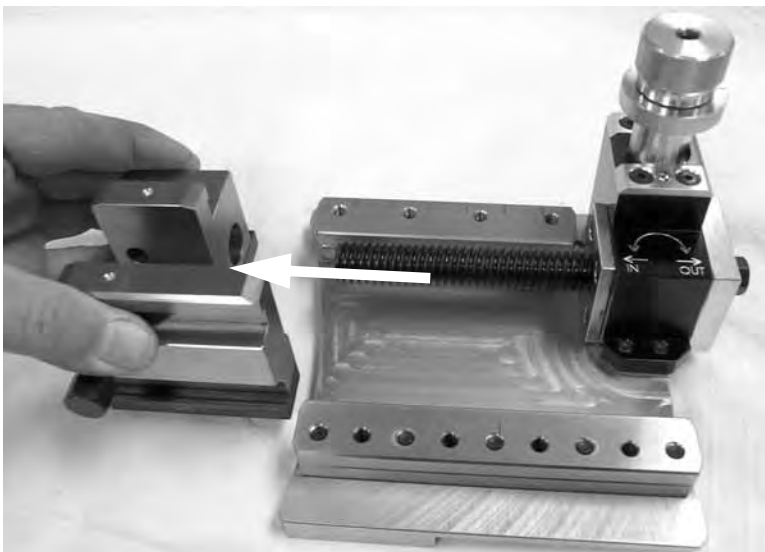


**2.** On the bottom of the slide, loosen the slide rail screws in both rails.

- Use a 5 mm hex wrench.

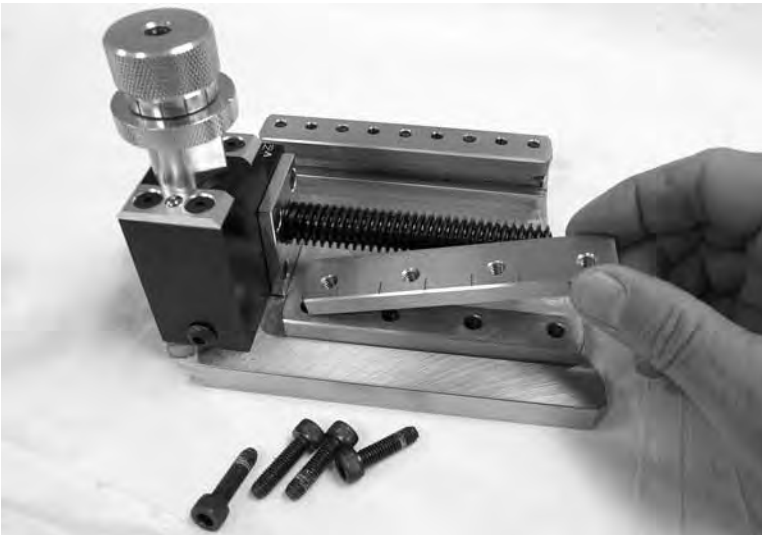


**3.** Turn the rapid retract nut to feed the saddle all the way off the feed screw.



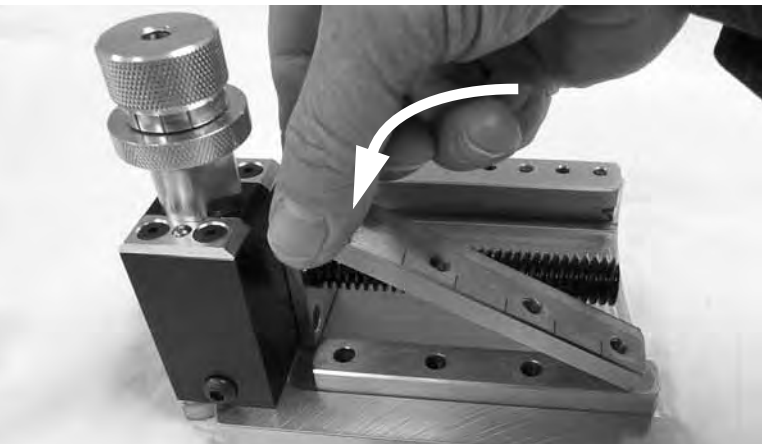


**4.** Remove the slide rail screws.



**5.** Flip the rail covers end-to-end. Note that the markings are etched on both sides of the covers.

**6.** Replace the slide rail screws through the bottom of the slide. Leave the screws slightly loose.





**7.** Insert the saddle assembly back into the end of the slide. Push the saddle on so the feed screw goes into the housing.

- The feed nut inside the housing can move freely. You may need to position it to engage the threads on the feed screw.

**8.** Turn the rapid retract nut while pushing the saddle onto the feed screw. Retract the slide to the center of travel.

**9.** Tighten the slide rail screws on the bottom of the slide.



**NOTE**

After reversing the rail covers, adjust the slide tension using the procedure in “Adjusting the Slide Tension” on page 7.

## **Chapter 3**

# **Machine and Ring Assemblies**

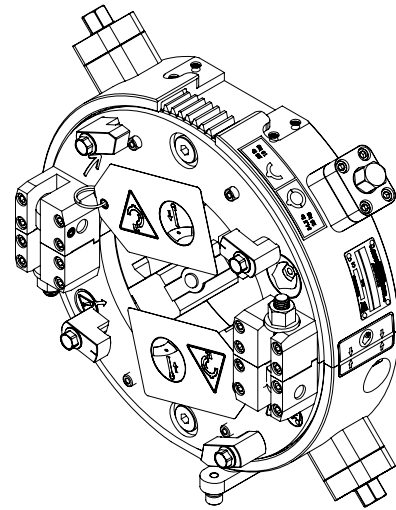
.....

This chapter contains drawings and parts lists for DynaPrep MDSF machines and ring assemblies.

**6" MDSF, 69-0000-06**

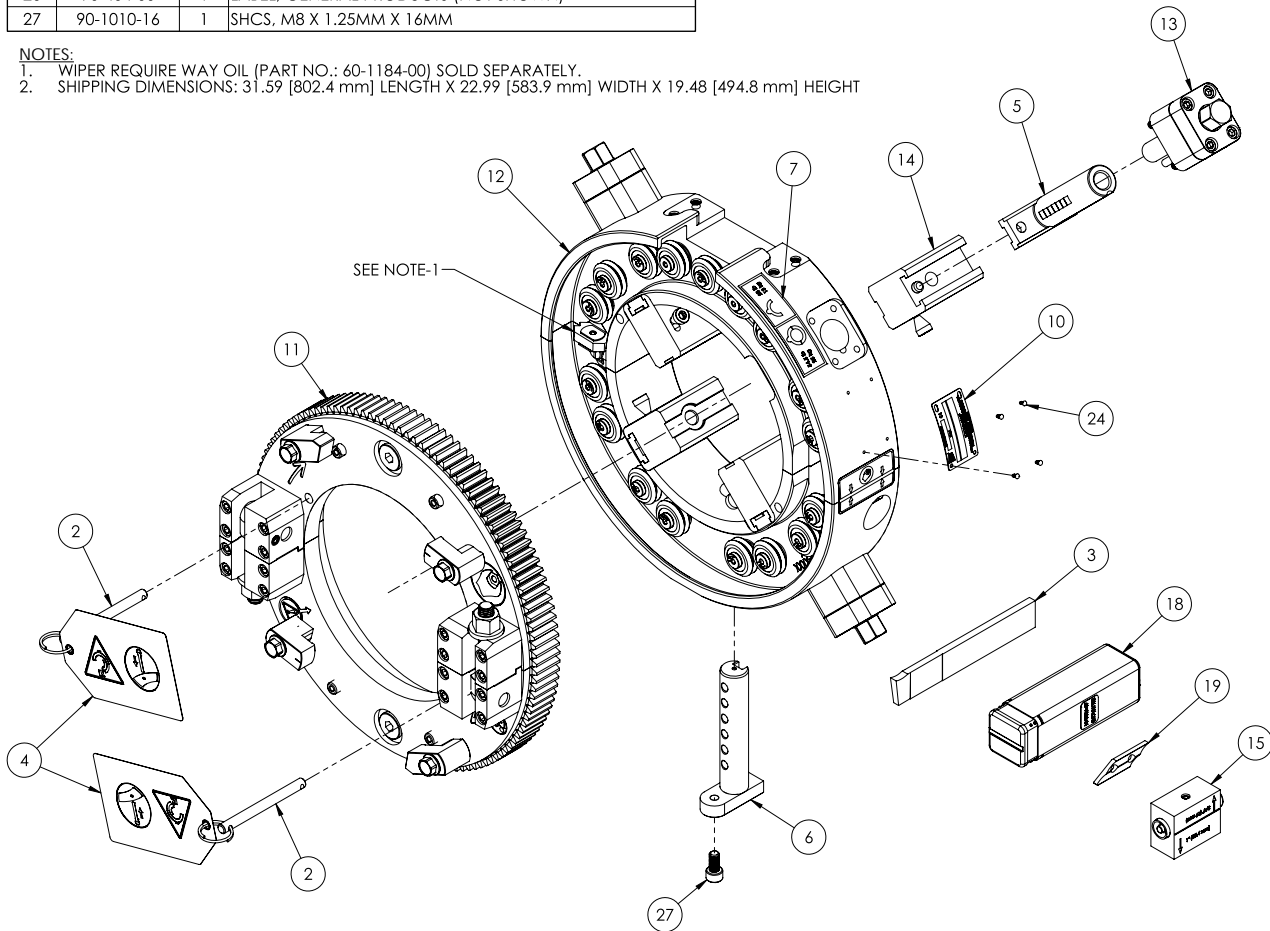
ITEM	PART NUMBER	QTY	DESCRIPTION
1	60-096-00	1	CASE, STORAGE-1660 (NOT SHOWN)
2	60-129-00	2	PIN, FRAME LOCKING
3	60-711-00	1	PARTING TOOL, 1/4"
4	60-1274-00	2	TAG, LCSF
5	69-0049-00	4	LEG, 2.00"
6	69-0071-00	1	BAR, TRIP POSITIONING 6"- 24"
7	69-0134-06	1	LABEL, WEIGHT-MDSF 6"
8	69-0136-00	1	LABEL, CASE (NOT SHOWN)
9	69-0231-00	1	INSERT, FOAM 6" THRU 10" MDSF (NOT SHOWN)
10	69-0236-00	1	NAME PLATE
11	69-4000-06	1	6" ROTATING RING ASSEMBLY
12	69-4001-06	1	6" STATIONARY FRAME ASSEMBLY
13	69-4500-02	4	SCREW CLAMP ASSEMBLY 6" THRU 24", 2.00" STROKE
14	69-4800-00	4	EXTENSION LEG ASSEMBLY
15	69-4806-00	1	LASER ALIGNMENT TOOL
16	69-5503-00	1	KIT, MDSF 6" & 8" FASTENERS (NOT SHOWN)
17	69-5600-00	1	KIT, HAND TOOLS MDSF (NOT SHOWN)
18	69-7002-01	1	HOLDER KIT, 37.5 DEG. INSIDE BEVEL
19	69-7002-02	1	INSERT, INSIDE BEVEL
20	69-LIT-01	1	TOOLING CHART, MDSF (NOT SHOWN)
21	69-LIT-02	1	TOOLING CONFIGURATION CHART, MDSF (NOT SHOWN)
22	69-MAN-01	1	MANUAL, MDSF (NOT SHOWN)
23	69-MAN-02	1	MANUAL, MDSF MAINTENANCE (NOT SHOWN)
24	90-049-06	4	SCREW, #2-3/16 U-DRIVE
25	90-400-03	1	WACHS CIRCLE LOGO 8" (NOT SHOWN)
26	90-404-00	1	LABEL, GENERAL PRODUCTS (NOT SHOWN)
27	90-1010-16	1	SHCS, M8 X 1.25MM X 16MM

REV B



NOTES:

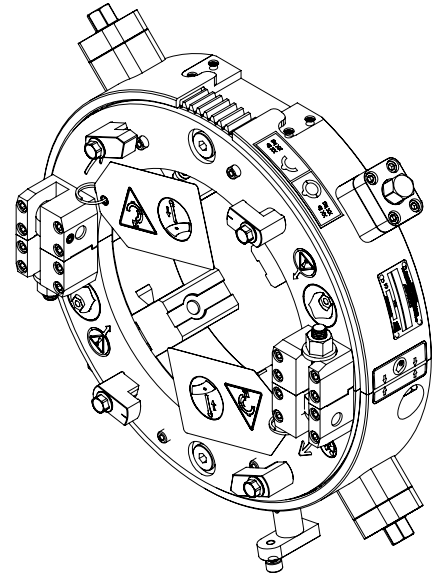
1. WIPER REQUIRE WAY OIL (PART NO.: 60-1184-00) SOLD SEPARATELY.
2. SHIPPING DIMENSIONS: 31.59 [802.4 mm] LENGTH X 22.99 [583.9 mm] WIDTH X 19.48 [494.8 mm] HEIGHT



# 8" MDSF, 69-0000-08

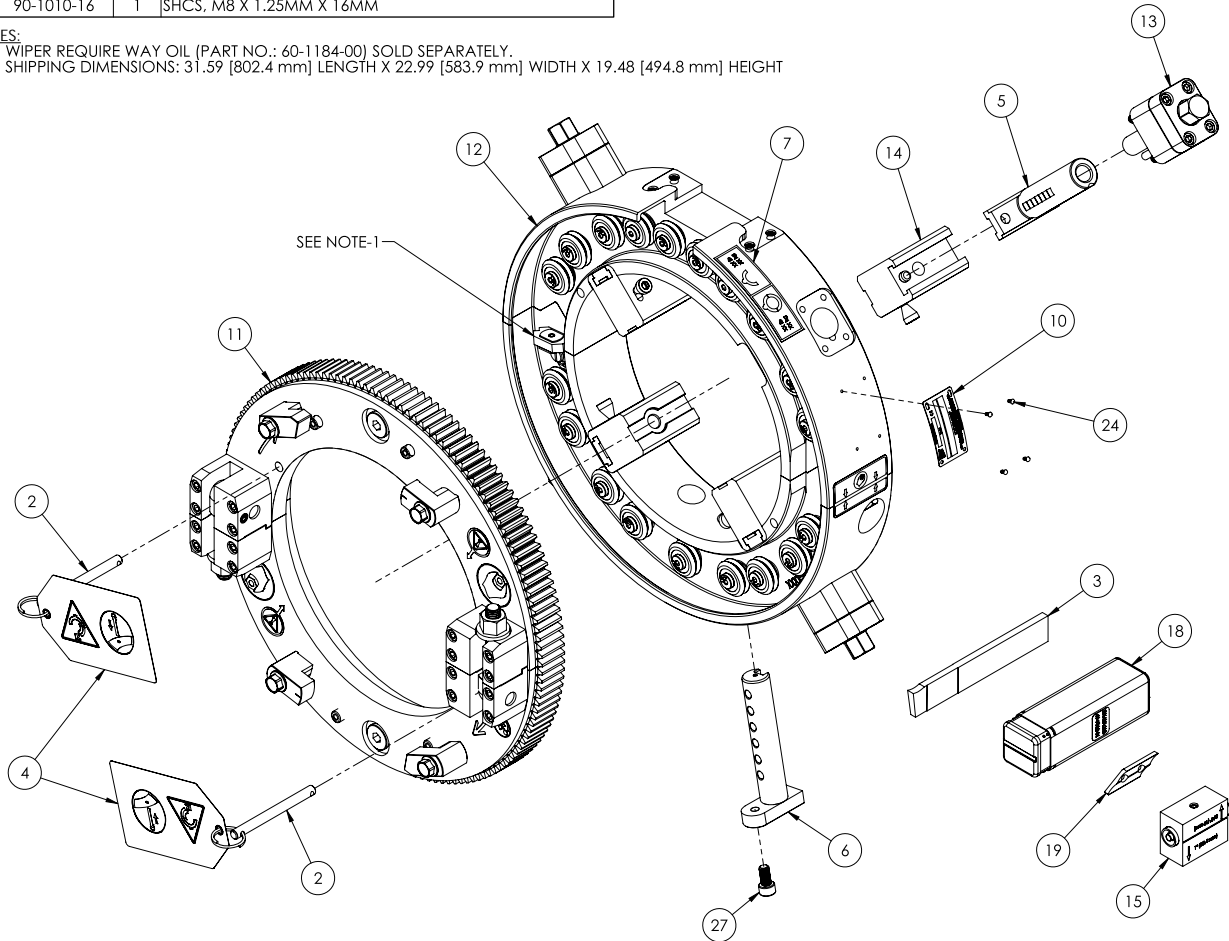
ITEM	PART NUMBER	QTY	DESCRIPTION
1	60-096-00	1	CASE, STORAGE-1660 (NOT SHOWN)
2	60-129-00	2	PIN, FRAME LOCKING
3	60-711-00	1	PARTING TOOL, 1/4"
4	60-1274-00	2	TAG, LCSF
5	69-0049-00	4	LEG, 2.00"
6	69-0071-00	1	BAR, TRIP POSITIONING 6'- 24"
7	69-0134-08	1	LABEL, WEIGHT-MDSF 8"
8	69-0136-00	1	LABEL, CASE (NOT SHOWN)
9	69-0231-00	1	INSERT, FOAM 6" THRU 10" MDSF (NOT SHOWN)
10	69-0236-00	1	NAME PLATE
11	69-4000-08	1	8" ROTATING RING ASSEMBLY
12	69-4001-08	1	8" STATIONARY FRAME ASSEMBLY
13	69-4500-02	4	SCREW CLAMP ASSEMBLY 6" THRU 24", 2.00" STROKE
14	69-4800-00	4	EXTENSION LEG ASSEMBLY
15	69-4806-00	1	LASER ALIGNMENT TOOL
16	69-5503-00	1	KIT, MDSF 6" & 8" FASTENERS (NOT SHOWN)
17	69-5600-00	1	KIT, HAND TOOLS MDSF (NOT SHOWN)
18	69-7002-03	1	HOLDER KIT, 37.5 DEG. INSIDE BEVEL
19	69-7002-02	1	INSERT, INSIDE BEVEL
20	69-LIT-01	1	TOOLING CHART, MDSF (NOT SHOWN)
21	69-LIT-02	1	TOOLING CONFIGURATION CHART, MDSF (NOT SHOWN)
22	69-MAN-01	1	MANUAL, MDSF (NOT SHOWN)
23	69-MAN-02	1	MANUAL, MDSF MAINTENANCE (NOT SHOWN)
24	90-049-06	4	SCREW, #2-3/16 U-DRIVE
25	90-400-03	1	WACHS CIRCLE LOGO 8" (NOT SHOWN)
26	90-404-00	1	LABEL, GENERAL PRODUCTS (NOT SHOWN)
27	90-1010-16	1	SHCS, M8 X 1.25MM X 16MM

Rev B



**NOTES:**

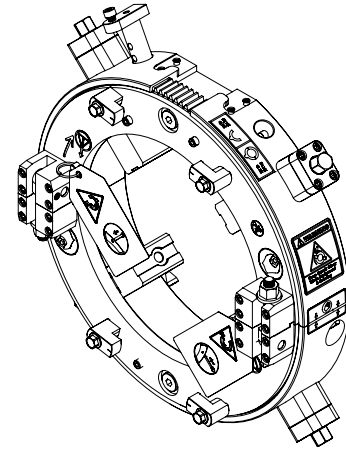
1. WIPER REQUIRE WAY OIL (PART NO.: 60-1184-00) SOLD SEPARATELY.
2. SHIPPING DIMENSIONS: 31.59 [802.4 mm] LENGTH X 22.99 [583.9 mm] WIDTH X 19.48 [494.8 mm] HEIGHT



**10" MDSF, 69-0000-10**

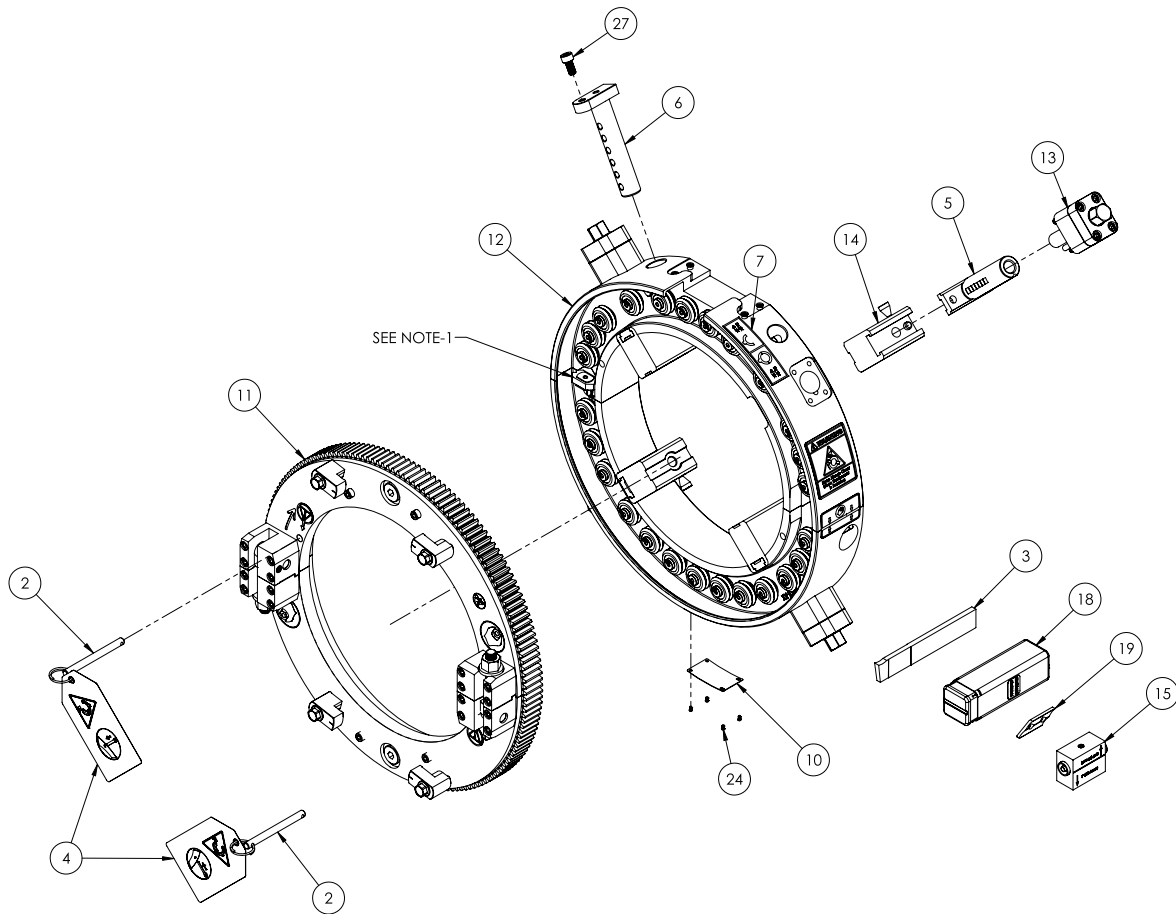
ITEM	PART NUMBER	QTY	DESCRIPTION
1	60-096-00	1	CASE, STORAGE-1660 (NOT SHOWN)
2	60-129-00	2	PIN, FRAME LOCKING
3	60-711-00	1	PARTING TOOL, 1/4"
4	60-1274-00	2	TAG, LCSF
5	69-0049-00	4	LEG, 2.00"
6	69-0071-00	1	BAR, TRIP POSITIONING 6"- 24"
7	69-0134-10	1	LABEL, WEIGHT-MDSF 10"
8	69-0136-00	1	LABEL, CASE (NOT SHOWN)
9	69-0231-00	1	INSERT, FOAM 6" THRU 10" MDSF (NOT SHOWN)
10	69-0236-00	1	NAME PLATE
11	69-4000-10	1	10" ROTATING RING ASSEMBLY
12	69-4001-10	1	10" STATIONARY FRAME ASSEMBLY
13	69-4500-02	4	SCREW CLAMP ASSEMBLY 6" THRU 24", 2.00" STROKE
14	69-4800-00	4	EXTENSION LEG ASSEMBLY
15	69-4806-00	1	LASER ALIGNMENT TOOL
16	69-5500-00	1	KIT, MDSF 10"-24" FASTENERS (NOT SHOWN)
17	69-5600-00	1	KIT, HAND TOOLS MDSF (NOT SHOWN)
18	69-7002-03	1	HOLDER KIT, 37.5 DEG. INSIDE BEVEL
19	69-7002-02	1	INSERT, INSIDE BEVEL
20	69-LIT-01	1	TOOLING CHART, MDSF (NOT SHOWN)
21	69-LIT-02	1	TOOLING CONFIGURATION CHART, MDSF (NOT SHOWN)
22	69-MAN-01	1	MANUAL, MDSF (NOT SHOWN)
23	69-MAN-02	1	MANUAL, MDSF MAINTENANCE (NOT SHOWN)
24	90-049-06	4	SCREW, #2-3/16 U-DRIVE
25	90-400-03	1	WACHS CIRCLE LOGO 8" (NOT SHOWN)
26	90-404-00	1	LABEL, GENERAL PRODUCTS (NOT SHOWN)
27	90-1010-16	1	SHCS, M8 X 1.25MM X 16MM

Rev C



NOTES:

1. WIPER REQUIRE WAY OIL (PART NO.: 60-1184-00) SOLD SEPARATELY.
2. SHIPPING DIMENSIONS: 31.59 [802.4 mm] LENGTH X 22.99 [583.9 mm] WIDTH X 19.48 [494.8 mm] HEIGHT

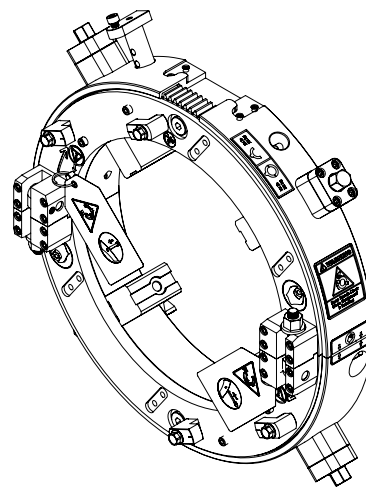




# 12" MDSF, 69-0000-12

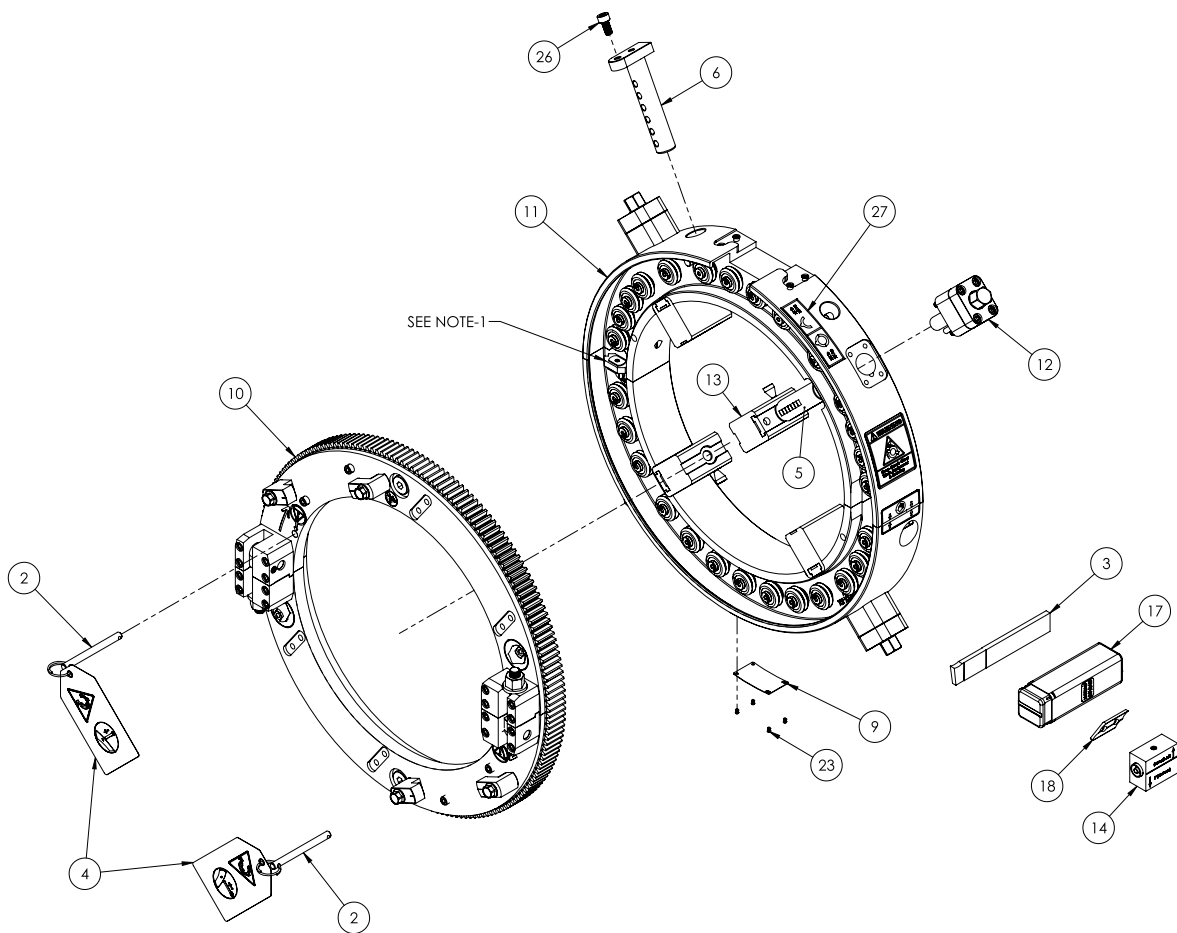
ITEM	PART NUMBER	QTY	DESCRIPTION
1	60-096-00	1	CASE, STORAGE-1660 (NOT SHOWN)
2	60-129-00	2	PIN, FRAME LOCKING
3	60-711-00	1	PARTING TOOL, 1/4"
4	60-1274-00	2	TAG, LCSF
5	69-0049-00	4	LEG, 2.00"
6	69-0071-00	1	BAR, TRIP POSITIONING 6" - 24"
7	69-0132-00	1	INSERT, FOAM 12 THRU 16 MDSF (NOT SHOWN)
8	69-0136-00	1	LABEL, CASE (NOT SHOWN)
9	69-0236-00	1	NAME PLATE
10	69-4000-12	1	12" ROTATING RING ASSEMBLY
11	69-4001-12	1	12" STATIONARY FRAME ASSEMBLY
12	69-4500-02	4	SCREW CLAMP ASSEMBLY 6" THRU 24", 2.00" STROKE
13	69-4800-00	4	EXTENSION LEG ASSEMBLY
14	69-4806-00	1	LASER ALIGNMENT TOOL
15	69-5500-00	1	KIT, MDSF 10"-24" FASTENERS (NOT SHOWN)
16	69-5600-00	1	KIT, HAND TOOLS MDSF (NOT SHOWN)
17	69-7002-01	1	HOLDER KIT, 37.5 DEG. INSIDE BEVEL
18	69-7002-02	1	INSERT, INSIDE BEVEL
19	69-LIT-01	1	TOOLING CHART, MDSF (NOT SHOWN)
20	69-LIT-02	1	TOOLING CONFIGURATION CHART, MDSF (NOT SHOWN)
21	69-MAN-01	1	MANUAL, MDSF (NOT SHOWN)
22	69-MAN-02	1	MANUAL, MDSF MAINTENANCE (NOT SHOWN)
23	90-049-06	4	SCREW, #2-3/16 U-DRIVE
24	90-400-03	1	WACHS CIRCLE LOGO 8" (NOT SHOWN)
25	90-404-00	1	LABEL, GENERAL PRODUCTS (NOT SHOWN)
26	90-1010-16	1	SHCS, M8 X 1.25MM X 16MM
27	69-0134-12	1	LABEL, WEIGHT-MDSF 12"

Rev D



**NOTES:**

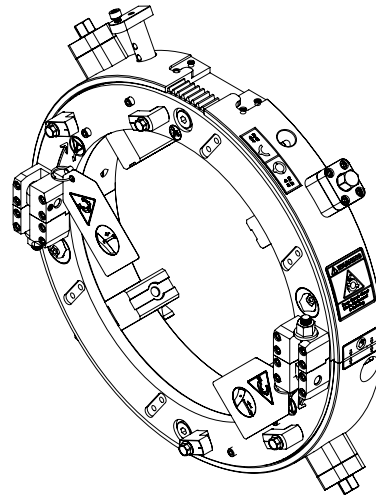
1. WIPER REQUIRE WAY OIL (PART NO.: 60-1184-00) SOLD SEPARATELY.
2. SHIPPING DIMENSIONS: 31.59 [802.4 mm] LENGTH X 22.99 [583.9 mm] WIDTH X 19.48 [494.8 mm] HEIGHT



**14" MDSF, 69-0000-14**

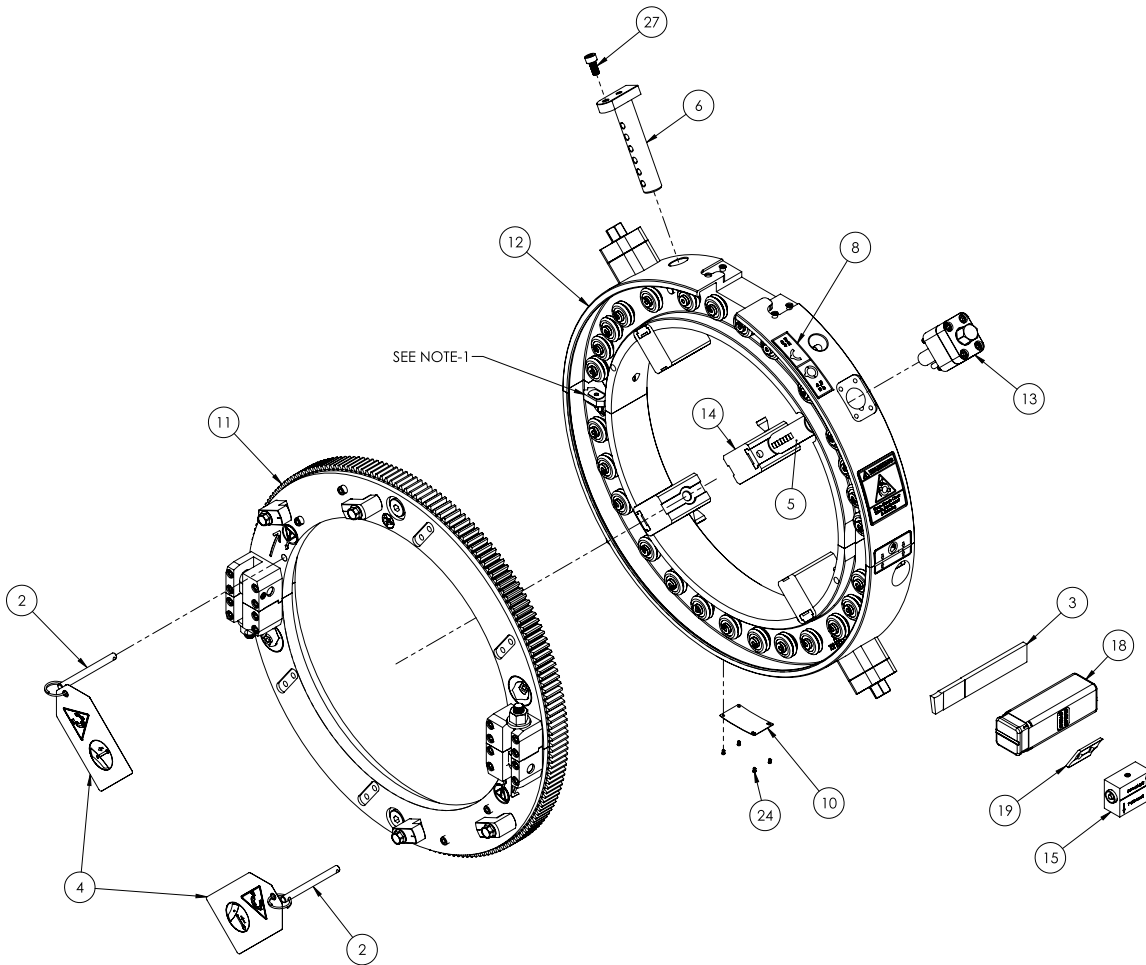
ITEM	PART NUMBER	QTY	DESCRIPTION
1	60-096-00	1	CASE, STORAGE-1660 (NOT SHOWN)
2	60-129-00	2	PIN, FRAME LOCKING
3	60-711-00	1	PARTING TOOL, 1/4"
4	60-1274-00	2	TAG, LCSF
5	69-0049-00	4	LEG, 2.00"
6	69-0071-00	1	BAR, TRIP POSITIONING 6"- 24"
7	69-0132-00	1	INSERT, FOAM 12 THRU 16 MDSF (NOT SHOWN)
8	69-0134-14	1	LABEL, WEIGHT-MDSF 14"
9	69-0136-00	1	LABEL, CASE (NOT SHOWN)
10	69-0236-00	1	NAME PLATE
11	69-4000-14	1	14" ROTATING RING ASSEMBLY
12	69-4001-14	1	14" STATIONARY FRAME ASSEMBLY
13	69-4500-02	4	SCREW CLAMP ASSEMBLY 6" THRU 24", 2.00" STROKE
14	69-4800-00	4	EXTENSION LEG ASSEMBLY
15	69-4806-00	1	LASER ALIGNMENT TOOL
16	69-5500-00	1	KIT, MDSF FASTENERS (NOT SHOWN)
17	69-5600-00	1	KIT, HAND TOOLS MDSF (NOT SHOWN)
18	69-7002-03	1	HOLDER KIT, 37.5 DEG. INSIDE BEVEL
19	69-7002-02	1	INSERT, INSIDE BEVEL
20	69-LIT-01	1	TOOLING CHART, MDSF (NOT SHOWN)
21	69-LIT-02	1	TOOLING CONFIGURATION CHART, MDSF (NOT SHOWN)
22	69-MAN-01	1	MANUAL, MDSF (NOT SHOWN)
23	69-MAN-02	1	MANUAL, MDSF MAINTENANCE (NOT SHOWN)
24	90-049-06	4	SCREW, #2-3/16 U-DRIVE
25	90-400-03	1	WACHS CIRCLE LOGO 8" (NOT SHOWN)
26	90-404-00	1	LABEL, GENERAL PRODUCTS (NOT SHOWN)
27	90-1010-16	1	SHCS, M8 X 1.25MM X 16MM

Rev E



NOTES:

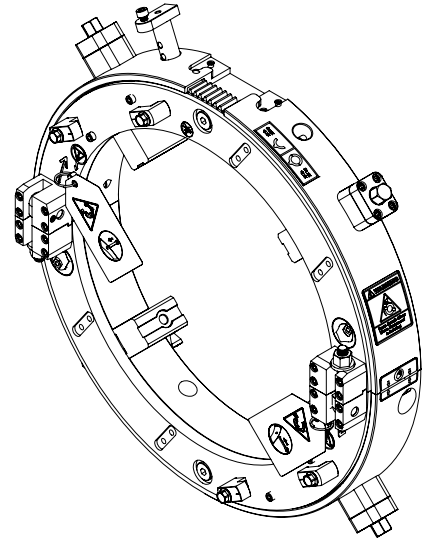
1. WIPER REQUIRE WAY OIL (PART NO.: 60-1184-00) SOLD SEPARATELY.
2. SHIPPING DIMENSIONS: 31.59 [802.4 mm] LENGTH X 22.99 [583.9 mm] WIDTH X 19.48 [494.8 mm] HEIGHT



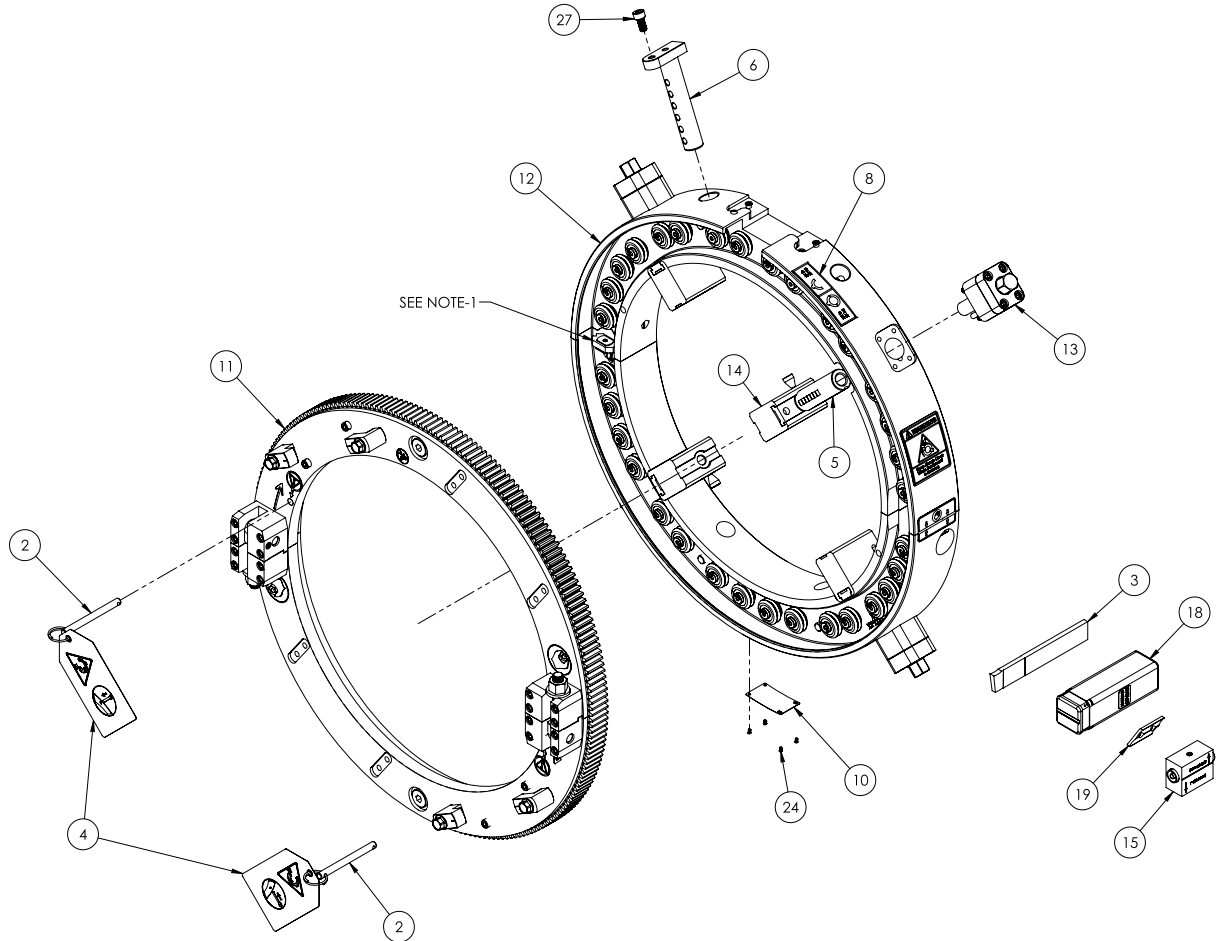
# 16" MDSF, 69-0000-16

ITEM	PART NUMBER	QTY	DESCRIPTION
1	60-096-00	1	CASE, STORAGE-1660 (NOT SHOWN)
2	60-129-00	2	PIN, FRAME LOCKING
3	60-711-00	1	PARTING TOOL, 1/4"
4	60-1274-00	2	TAG, LCSF
5	69-0049-00	4	LEG, 2.00"
6	69-0071-00	1	BAR, TRIP POSITIONING 6"- 24"
7	69-0132-00	1	INSERT, FOAM 12 THRU 16 MDSF (NOT SHOWN)
8	69-0134-16	1	LABEL, WEIGHT-MDSF 16"
9	69-0136-00	1	LABEL, CASE (NOT SHOWN)
10	69-0236-00	1	NAME PLATE
11	69-4000-16	1	16" ROTATING RING ASSEMBLY
12	69-4001-16	1	16" STATIONARY FRAME ASSEMBLY
13	69-4500-02	4	SCREW CLAMP ASSEMBLY 6" THRU 24", 2.00" STROKE
14	69-4800-00	4	EXTENSION LEG ASSEMBLY
15	69-4806-00	1	LASER ALIGNMENT TOOL
16	69-5500-00	1	KIT, MDSF 10"-24" FASTENERS (NOT SHOWN)
17	69-5600-00	1	KIT, HAND TOOLS MDSF (NOT SHOWN)
18	69-7002-01	1	HOLDER KIT, 37.5 DEG. INSIDE BEVEL
19	69-7002-02	1	INSERT, INSIDE BEVEL
20	69-LIT-01	1	TOOLING CHART, MDSF (NOT SHOWN)
21	69-LIT-02	1	TOOLING CONFIGURATION CHART, MDSF (NOT SHOWN)
22	69-MAN-01	1	MANUAL, MDSF (NOT SHOWN)
23	69-MAN-02	1	MANUAL, MDSF MAINTENANCE (NOT SHOWN)
24	90-049-06	4	SCREW, #2-3/16 U-DRIVE
25	90-400-03	1	WACHS CIRCLE LOGO 8" (NOT SHOWN)
26	90-404-00	1	LABEL, GENERAL PRODUCTS (NOT SHOWN)
27	90-1010-16	1	SHCS, M8 X 1.25MM X 16MM

Rev D



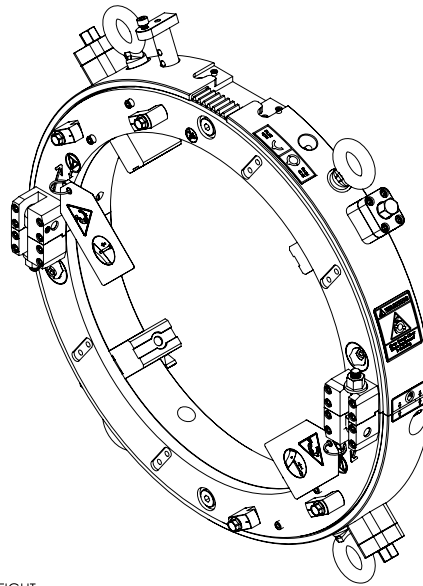
- NOTES:  
 1. WIPER REQUIRE WAY OIL (PART NO.: 60-1184-00) SOLD SEPARATELY.  
 2. SHIPPING DIMENSIONS: 31.59 [802.4 mm] LENGTH X 22.99 [583.9 mm] WIDTH X 19.48 [494.8 mm] HEIGHT



# 18" MDSF, 69-0000-18

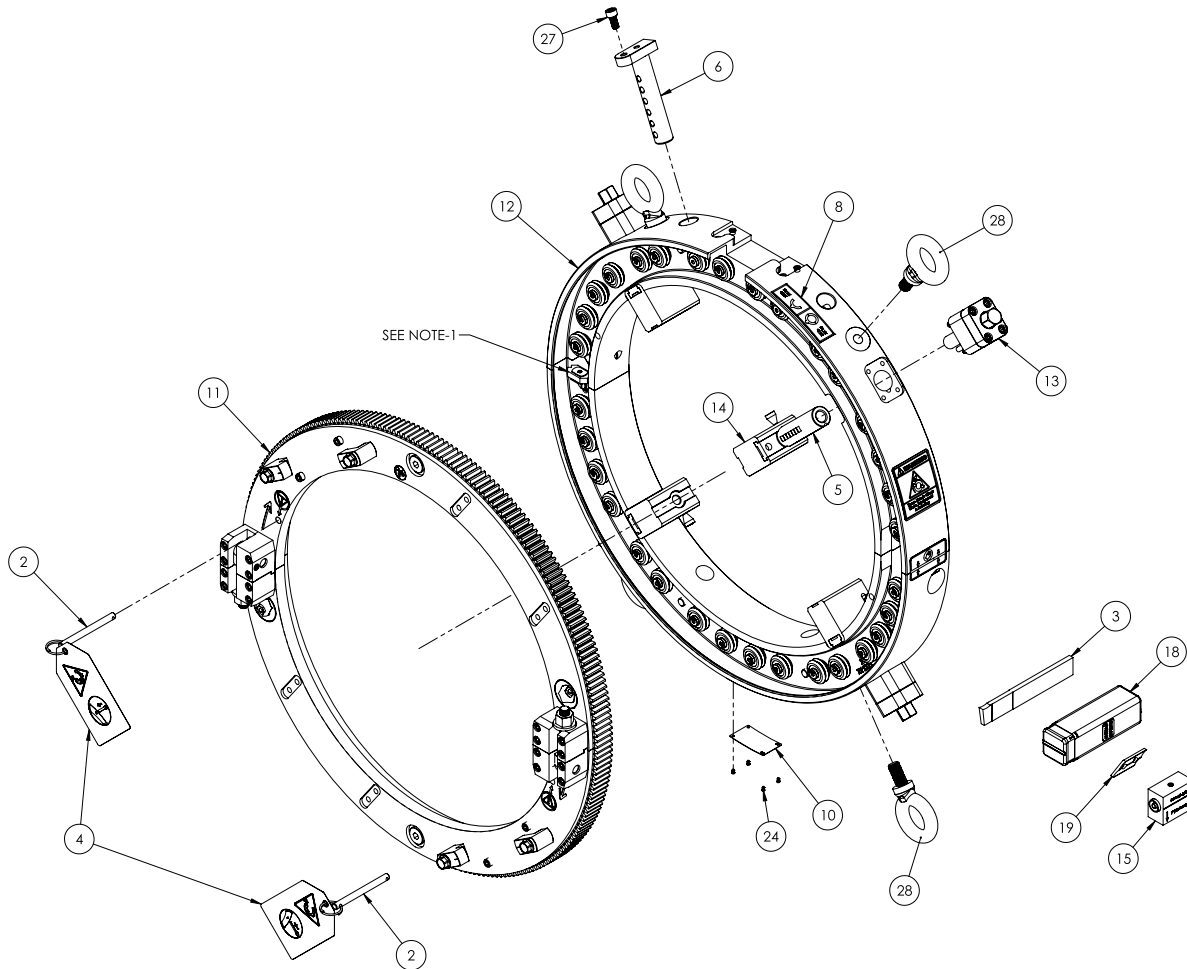
ITEM	PART NUMBER	QTY	DESCRIPTION
1	60-096-00	1	CASE, STORAGE-1660 (NOT SHOWN)
2	60-129-00	2	PIN, FRAME LOCKING
3	60-711-00	1	PARTING TOOL, 1/4"
4	60-1274-00	2	TAG, LCSF
5	69-0049-00	4	LEG, 2.00"
6	69-0071-00	1	BAR, TRIP POSITIONING 6"- 24"
7	69-0133-00	1	INSERT, FOAM 18 AND 20 MDSF (NOT SHOWN)
8	69-0134-18	1	LABEL, WEIGHT-MDSF 18"
9	69-0136-00	1	LABEL, CASE (NOT SHOWN)
10	69-0236-00	1	NAME PLATE
11	69-4000-18	1	18" ROTATING RING ASSEMBLY
12	69-4001-18	1	18" STATIONARY FRAME ASSEMBLY
13	69-4500-02	4	SCREW CLAMP ASSEMBLY 6" THRU 24", 2.00" STROKE
14	69-4800-00	4	EXTENSION LEG ASSEMBLY
15	69-4806-00	1	LASER ALIGNMENT TOOL
16	69-5500-00	1	KIT, MDSF 10'-24" FASTENERS (NOT SHOWN)
17	69-5600-00	1	KIT, HAND TOOLS MDSF (NOT SHOWN)
18	69-7002-01	1	HOLDER KIT, 37.5 DEG. INSIDE BEVEL
19	69-7002-02	1	INSERT, INSIDE BEVEL
20	69-LIT-01	1	TOOLING CHART, MDSF (NOT SHOWN)
21	69-LIT-02	1	TOOLING CONFIGURATION CHART, MDSF (NOT SHOWN)
22	69-MAN-01	1	MANUAL, MDSF (NOT SHOWN)
23	69-MAN-02	1	MANUAL, MDSF MAINTENANCE (NOT SHOWN)
24	90-049-06	4	SCREW, #2-3/16 U-DRIVE
25	90-400-03	1	WACHS CIRCLE LOGO 8" (NOT SHOWN)
26	90-404-00	1	LABEL, GENERAL PRODUCTS (NOT SHOWN)
27	90-1010-16	1	SHCS, M8 X 1.25MM X 16MM
28	90-1028-00	4	EYE BOLT, M14 X 2

REV D



NOTES:

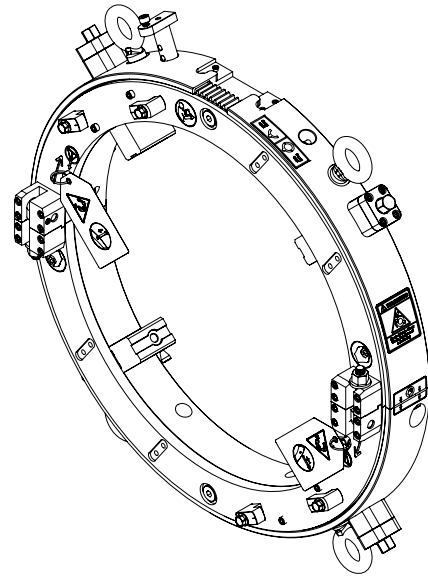
1. WIPER REQUIRE WAY OIL (PART NO.: 60-1184-00) SOLD SEPARATELY.
2. SHIPPING DIMENSIONS: 31.59 [802.4 mm] LENGTH X 22.99 [583.9 mm] WIDTH X 19.48 [494.8 mm] HEIGHT



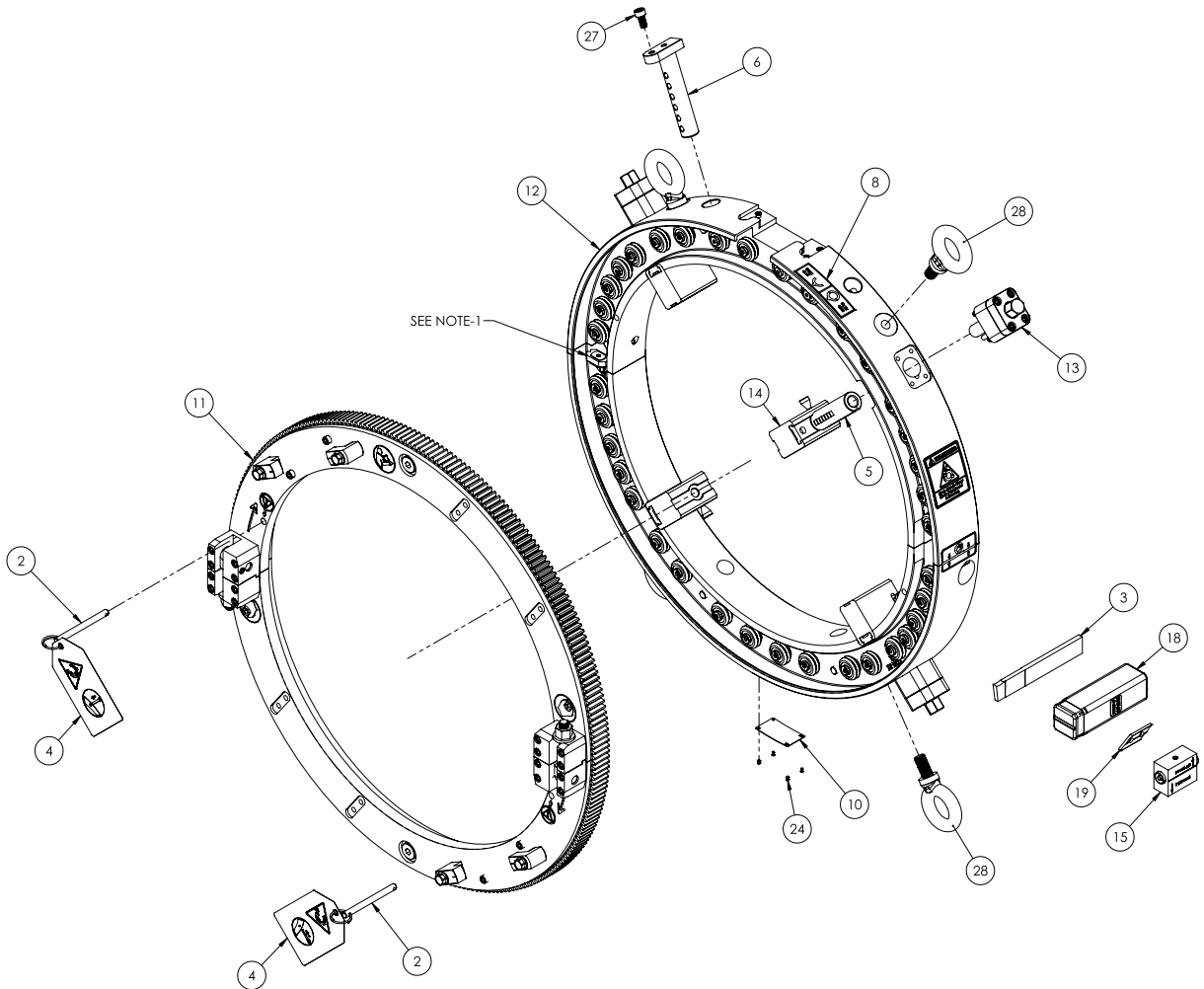
# 20" MDSF, 69-0000-20

ITEM	PART NUMBER	QTY	DESCRIPTION
1	60-094-00	1	CASE, STORAGE-1660 (NOT SHOWN)
2	60-129-00	2	PIN, FRAME LOCKING
3	60-711-00	1	PARTING TOOL, 1/4"
4	60-1274-00	2	TAG, LCSF
5	69-0049-00	4	LEG, 2.00"
6	69-0071-00	1	BAR, TRIP POSITIONING 6'-24"
7	69-0133-00	1	INSERT, FOAM 18 AND 20 MDSF (NOT SHOWN)
8	69-0134-20	1	LABEL, WEIGHT-MDSF 20"
9	69-0136-00	1	LABEL, CASE (NOT SHOWN)
10	69-0236-00	1	NAME PLATE
11	69-4000-20	1	20" ROTATING RING ASSEMBLY
12	69-4001-20	1	20" STATIONARY FRAME ASSEMBLY
13	69-4500-02	4	SCREW CLAMP ASSEMBLY 6" THRU 24", 2.00" STROKE
14	69-4800-00	4	EXTENSION LEG ASSEMBLY
15	69-4806-00	1	LASER ALIGNMENT TOOL
16	69-5500-00	1	KIT, MDSF 10'-24" FASTENERS (NOT SHOWN)
17	69-5600-00	1	KIT, HAND TOOLS MDSF (NOT SHOWN)
18	69-7002-01	1	HOLDER KIT, 37.5 DEG. INSIDE BEVEL
19	69-7002-02	1	INSERT, INSIDE BEVEL
20	69-LIT-01	1	TOOLING CHART, MDSF (NOT SHOWN)
21	69-LIT-02	1	TOOLING CONFIGURATION CHART, MDSF (NOT SHOWN)
22	69-MAN-01	1	MANUAL, MDSF (NOT SHOWN)
23	69-MAN-02	1	MANUAL, MDSF MAINTENANCE (NOT SHOWN)
24	90-049-06	4	SCREW, #2-3/16 U-DRIVE
25	90-400-03	1	WACHS CIRCLE LOGO 8" (NOT SHOWN)
26	90-404-00	1	LABEL, GENERAL PRODUCTS (NOT SHOWN)
27	90-1010-16	1	SHCS, M8 X 1.25MM X 16MM
28	90-1028-00	4	EYE BOLT, M14 X 2

Rev D



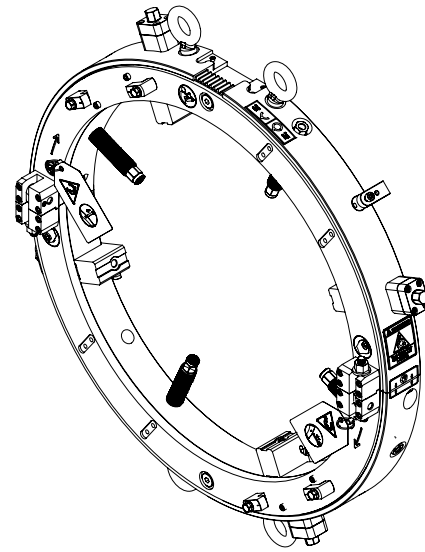
- NOTES:  
 1. WIPER REQUIRE WAY OIL (PART NO.: 60-1184-00) SOLD SEPARATELY.  
 2. SHIPPING DIMENSIONS: 31.59 [802.4 mm] LENGTH X 22.99 [583.9 mm] WIDTH X 19.48 [494.8 mm] HEIGHT



**24" MDSF, 69-0000-24**

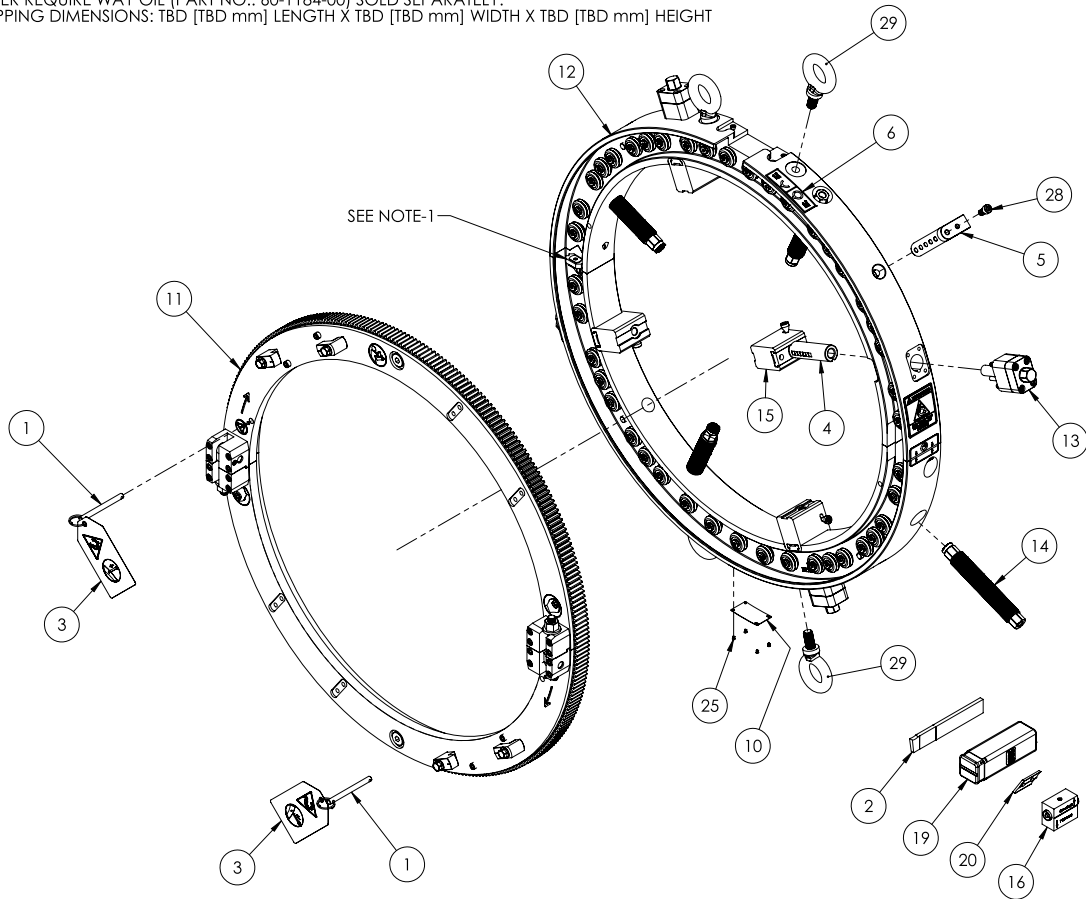
ITEM	PART NUMBER	QTY	DESCRIPTION
1	60-129-00	2	PIN, FRAME LOCKING
2	60-711-XX	1	PARTING TOOL, 1/4"
3	60-1274-00	2	TAG, LCSF
4	69-0049-00	4	LEG, 2.00"
5	69-0071-00	1	BAR, TRIP POSITIONING 6"- 24"
6	69-0134-24	1	LABEL, WEIGHT-MDSF 24"
7	69-0136-00	1	LABEL, CASE (NOT SHOWN)
8	69-0148-00	1	INSERT, FOAM 24"-36" MDSF (NOT SHOWN)
9	69-0149-00	1	CASE, STORAGE 24"-36" MDSF (NOT SHOWN)
10	69-0236-00	1	NAME PLATE
11	69-4000-24	1	24" ROTATING RING ASSEMBLY
12	69-4001-24	1	24" STATIONARY FRAME ASSEMBLY
13	69-4500-02	4	SCREW CLAMP ASSEMBLY 6" THRU 24", 2.00" STROKE
14	69-4501-00	4	LEG SCREW ASSEMBLY, SHORT
15	69-4800-00	4	EXTENSION LEG ASSEMBLY
16	69-4806-00	1	LASER ALIGNMENT TOOL
17	69-5500-00	1	KIT, MDSF 10"-24" FASTENERS (NOT SHOWN)
18	69-5600-00	1	KIT, HAND TOOLS MDSF (NOT SHOWN)
19	69-7002-01	1	HOLDER KIT, 37.5 DEG. INSIDE BEVEL
20	69-7002-02	1	INSERT, INSIDE BEVEL
21	69-LIT-01	1	TOOLING CHART, MDSF (NOT SHOWN)
22	69-LIT-02	1	TOOLING CONFIGURATION CHART, MDSF (NOT SHOWN)
23	69-MAN-01	1	MANUAL, MDSF (NOT SHOWN)
24	69-MAN-02	1	MANUAL, MDSF MAINTENANCE (NOT SHOWN)
25	90-049-06	4	SCREW, #2-3/16 U-DRIVE
26	90-400-04	1	WACHS CIRCLE LOGO 12" (NOT SHOWN)
27	90-404-00	1	LABEL, GENERAL PRODUCTS (NOT SHOWN)
28	90-1010-16	1	SHCS, M8 X 1.25MM X 16MM
29	90-1028-00	4	EYE BOLT, M14 X 2

Rev D



NOTES:

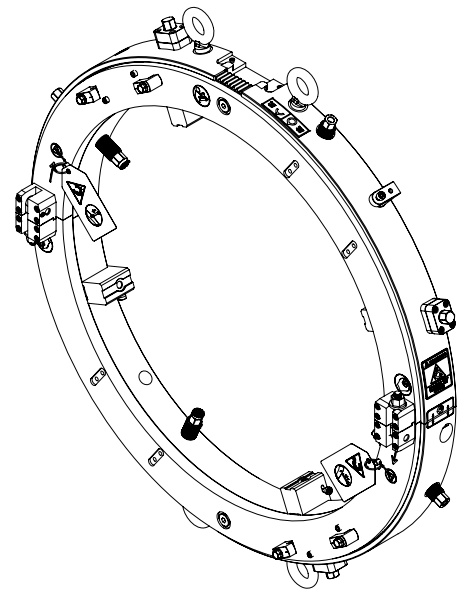
1. WIPER REQUIRE WAY OIL (PART NO.: 60-1184-00) SOLD SEPARATELY.
2. SHIPPING DIMENSIONS: TBD [TBD mm] LENGTH X TBD [TBD mm] WIDTH X TBD [TBD mm] HEIGHT



# 28" MDSF, 69-0000-28

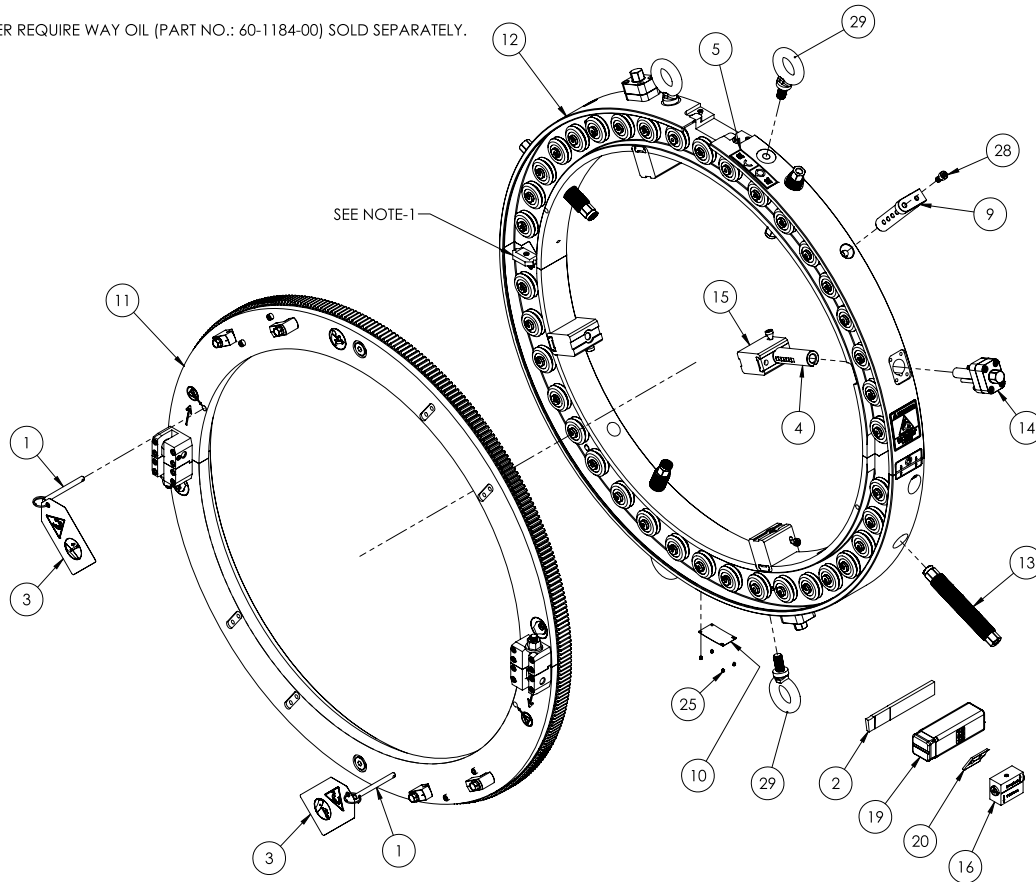
ITEM	PART NUMBER	QTY	DESCRIPTION
1	60-129-00	2	PIN, FRAME LOCKING
2	60-711-00	1	PARTING TOOL, 1/4"
3	60-1274-00	2	TAG, LCSF
4	69-0049-00	4	LEG, 2.00"
5	69-0134-28	1	LABEL, WEIGHT-MDSF 28"
6	69-0136-00	1	LABEL, CASE (NOT SHOWN)
7	69-0148-00	1	INSERT, FOAM 24"-36" MDSF (NOT SHOWN)
8	69-0149-00	1	CASE, STORAGE 24"-36" MDSF (NOT SHOWN)
9	69-0232-00	1	BAR, TRIP POSITIONING 28"-60"
10	69-0236-00	1	NAME PLATE
11	69-4000-28	1	28" ROTATING RING ASSEMBLY
12	69-4001-28	1	28" STATIONARY FRAME ASSEMBLY
13	69-4501-00	4	LEG SCREW ASSEMBLY, SHORT
14	69-4503-02	4	SCREW CLAMP ASSEMBLY 28" THRU 48", 2.00" STROKE
15	69-4800-00	4	EXTENSION LEG ASSEMBLY
16	69-4806-00	1	LASER ALIGNMENT TOOL
17	69-5501-00	1	KIT, MDSF 28"-48" FASTENERS (NOT SHOWN)
18	69-5600-00	1	KIT, HAND TOOLS MDSF (NOT SHOWN)
19	69-7002-01	1	HOLDER KIT, 37.5 DEG. INSIDE BEVEL
20	69-7002-02	1	INSERT, INSIDE BEVEL
21	69-LIT-01	1	TOOLING CHART, MDSF (NOT SHOWN)
22	69-LIT-02	1	TOOLING CONFIGURATION CHART, MDSF (NOT SHOWN)
23	69-MAN-01	1	MANUAL, MDSF (NOT SHOWN)
24	69-MAN-02	1	MANUAL, MDSF MAINTENANCE (NOT SHOWN)
25	90-049-06	4	SCREW, #2-3/16 U-DRIVE
26	90-400-04	1	WACHS CIRCLE LOGO 12" (NOT SHOWN)
27	90-404-00	1	LABEL, GENERAL PRODUCTS (NOT SHOWN)
28	90-1010-16	1	SHCS, M8 X 1.25MM X 16MM
29	90-1028-00	4	EYE BOLT, M14 X 2

Rev C



**NOTE:**

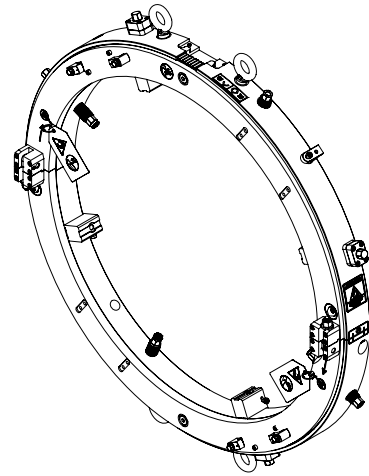
1. WIPER REQUIRE WAY OIL (PART NO.: 60-1184-00) SOLD SEPARATELY.



**32" MDSF, 69-0000-32**

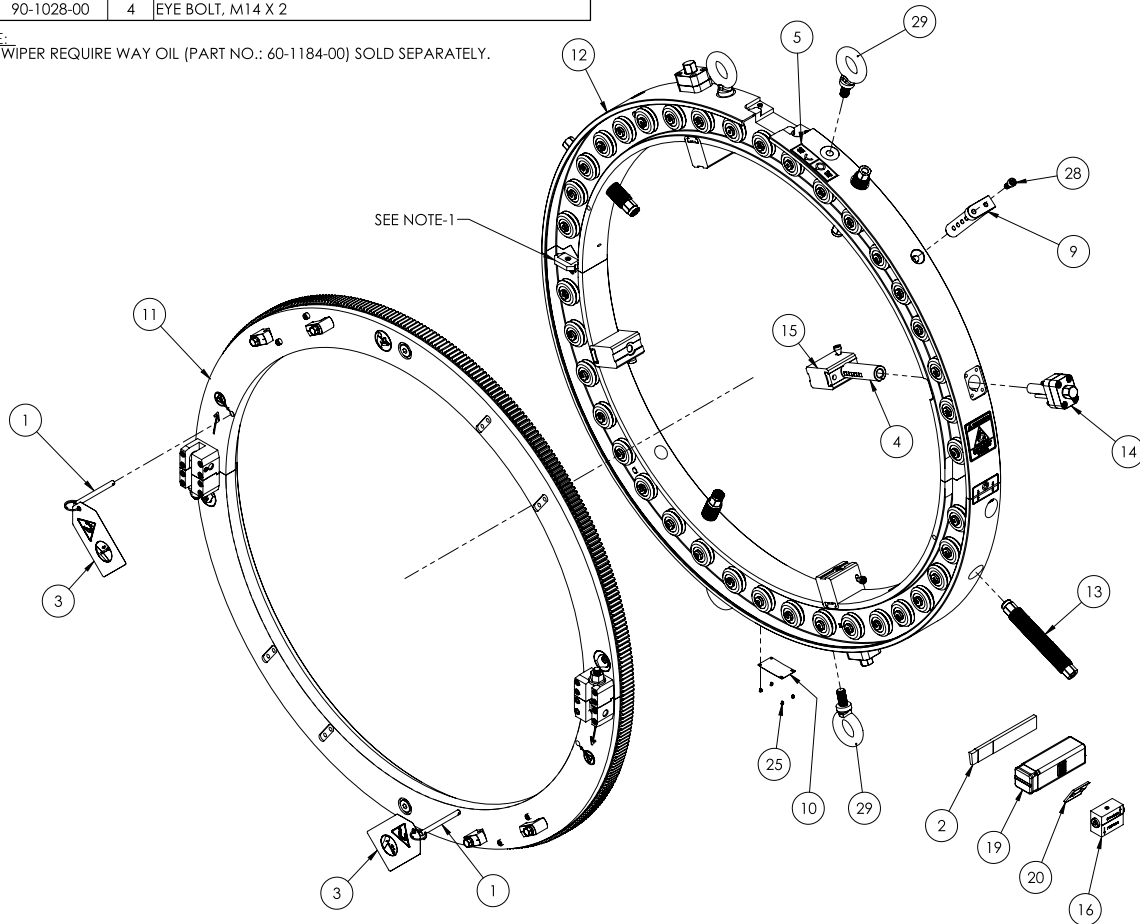
ITEM	PART NUMBER	QTY	DESCRIPTION
1	60-129-00	2	PIN, FRAME LOCKING
2	60-711-00	1	PARTING TOOL, 1/4"
3	60-1274-00	2	TAG, LCSF
4	69-0049-00	4	LEG, 2.00"
5	69-0134-32	1	LABEL, WEIGHT-MDSF 32"
6	69-0136-00	1	LABEL, CASE (NOT SHOWN)
7	69-0148-00	1	INSERT, FOAM 24"-36" MDSF (NOT SHOWN)
8	69-0149-00	1	CASE, STORAGE 24"-36" MDSF (NOT SHOWN)
9	69-0232-00	1	BAR, TRIP POSITIONING 28"-60"
10	69-0236-00	1	NAME PLATE
11	69-4000-32	1	32" ROTATING RING ASSEMBLY
12	69-4001-32	1	32" STATIONARY FRAME ASSEMBLY
13	69-4501-00	4	LEG SCREW ASSEMBLY, SHORT
14	69-4503-02	4	SCREW CLAMP ASSEMBLY 28" THRU 48", 2.00" STROKE
15	69-4800-00	4	EXTENSION LEG ASSEMBLY
16	69-4806-00	1	LASER ALIGNMENT TOOL
17	69-5501-00	1	KIT, MDSF 28"-48" FASTENERS (NOT SHOWN)
18	69-5600-00	1	KIT, HAND TOOLS MDSF (NOT SHOWN)
19	69-7002-01	1	HOLDER KIT, 37.5 DEG. INSIDE BEVEL
20	69-7002-02	1	INSERT, INSIDE BEVEL
21	69-LIT-01	1	TOOLING CHART, MDSF (NOT SHOWN)
22	69-LIT-02	1	TOOLING CONFIGURATION CHART, MDSF (NOT SHOWN)
23	69-MAN-01	1	MANUAL, MDSF (NOT SHOWN)
24	69-MAN-02	1	MANUAL, MDSF MAINTENANCE (NOT SHOWN)
25	90-049-06	4	SCREW, #2-3/16 U-DRIVE
26	90-400-04	1	WACHS CIRCLE LOGO 12" (NOT SHOWN)
27	90-404-00	1	LABEL, GENERAL PRODUCTS (NOT SHOWN)
28	90-1010-16	1	SHCS, M8 X 1.25MM X 16MM
29	90-1028-00	4	EYE BOLT, M14 X 2

Rev C



**NOTE:**

1. WIPER REQUIRE WAY OIL (PART NO.: 60-1184-00) SOLD SEPARATELY.



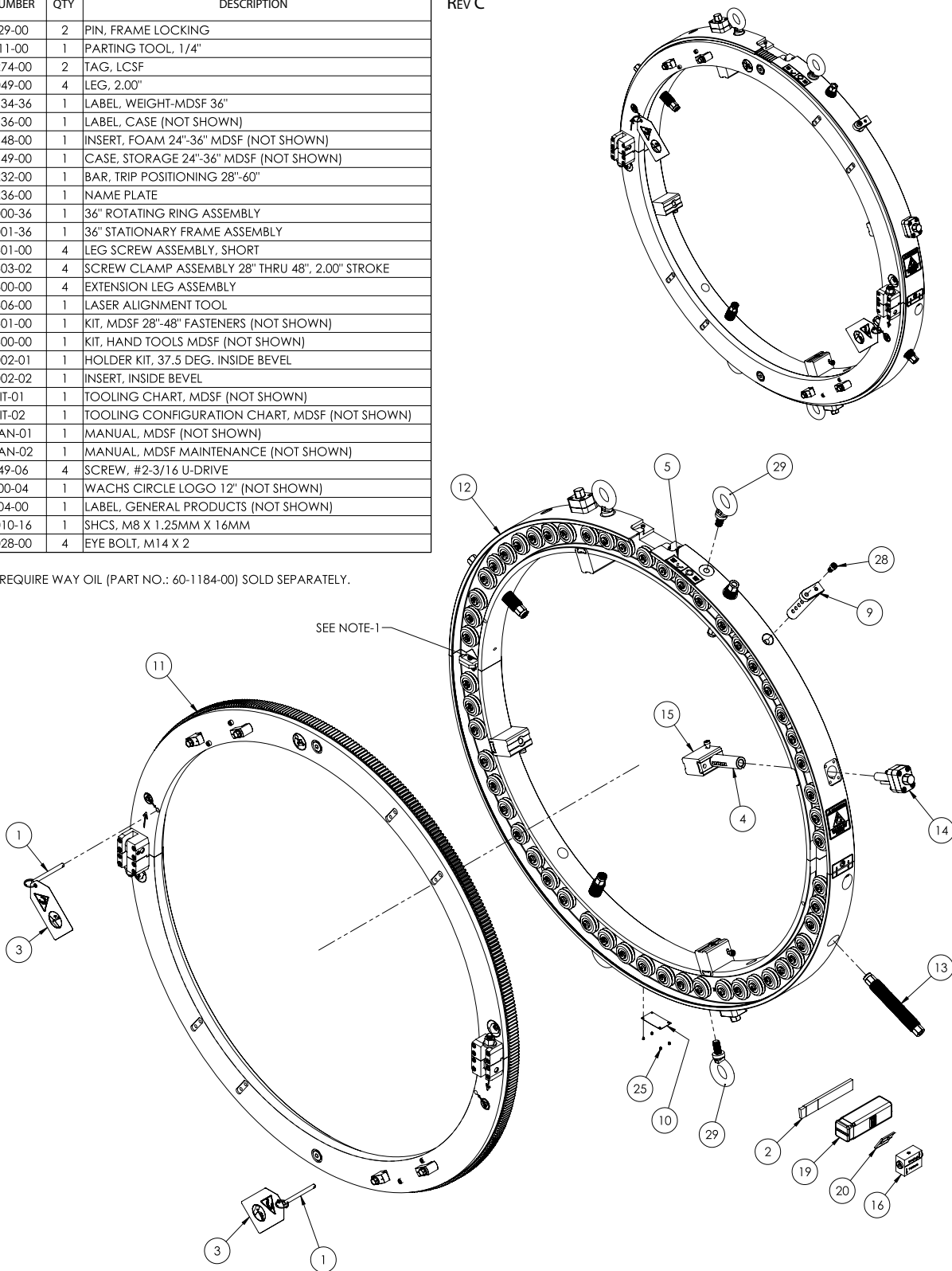


# 36" MDSF, 69-0000-36

ITEM	PART NUMBER	QTY	DESCRIPTION
1	60-129-00	2	PIN, FRAME LOCKING
2	60-711-00	1	PARTING TOOL, 1/4"
3	60-1274-00	2	TAG, LCSF
4	69-0049-00	4	LEG, 2.00"
5	69-0134-36	1	LABEL, WEIGHT-MDSF 36"
6	69-0136-00	1	LABEL, CASE (NOT SHOWN)
7	69-0148-00	1	INSERT, FOAM 24"-36" MDSF (NOT SHOWN)
8	69-0149-00	1	CASE, STORAGE 24"-36" MDSF (NOT SHOWN)
9	69-0232-00	1	BAR, TRIP POSITIONING 28"-60"
10	69-0236-00	1	NAME PLATE
11	69-4000-36	1	36" ROTATING RING ASSEMBLY
12	69-4001-36	1	36" STATIONARY FRAME ASSEMBLY
13	69-4501-00	4	LEG SCREW ASSEMBLY, SHORT
14	69-4503-02	4	SCREW CLAMP ASSEMBLY 28" THRU 48", 2.00" STROKE
15	69-4800-00	4	EXTENSION LEG ASSEMBLY
16	69-4806-00	1	LASER ALIGNMENT TOOL
17	69-5501-00	1	KIT, MDSF 28"-48" FASTENERS (NOT SHOWN)
18	69-5600-00	1	KIT, HAND TOOLS MDSF (NOT SHOWN)
19	69-7002-01	1	HOLDER KIT, 37.5 DEG. INSIDE BEVEL
20	69-7002-02	1	INSERT, INSIDE BEVEL
21	69-LIT-01	1	TOOLING CHART, MDSF (NOT SHOWN)
22	69-LIT-02	1	TOOLING CONFIGURATION CHART, MDSF (NOT SHOWN)
23	69-MAN-01	1	MANUAL, MDSF (NOT SHOWN)
24	69-MAN-02	1	MANUAL, MDSF MAINTENANCE (NOT SHOWN)
25	90-049-06	4	SCREW, #2-3/16 U-DRIVE
26	90-400-04	1	WACHS CIRCLE LOGO 12" (NOT SHOWN)
27	90-404-00	1	LABEL, GENERAL PRODUCTS (NOT SHOWN)
28	90-1010-16	1	SHCS, M8 X 1.25MM X 16MM
29	90-1028-00	4	EYE BOLT, M14 X 2

REV C

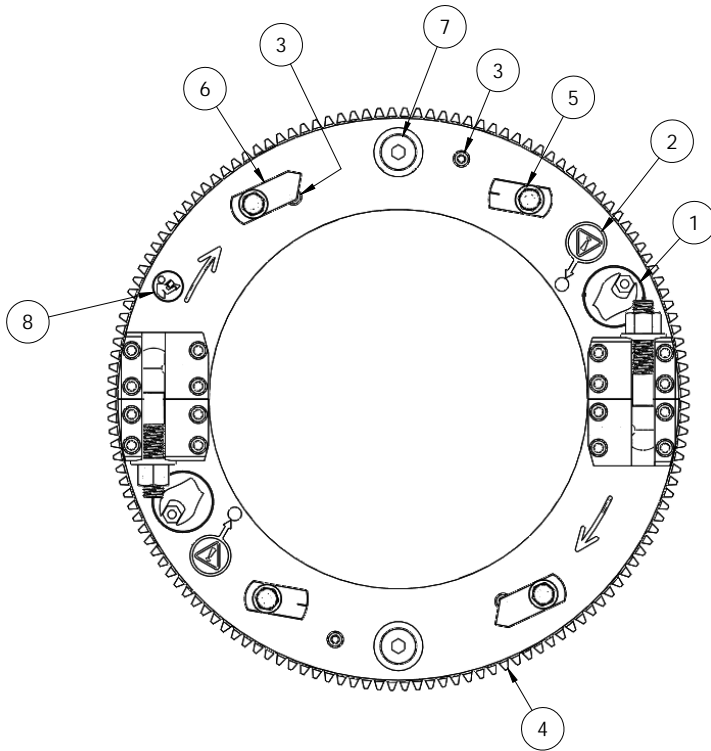
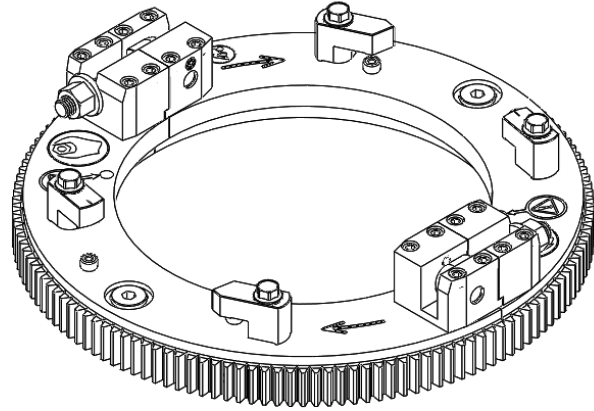
NOTE:  
1. WIPER REQUIRE WAY OIL (PART NO.: 60-1184-00) SOLD SEPARATELY.



**6" and 8" Rotating Ring Assembly, 69-4000-XX**

ITEM	PART NUMBER	QTY	DESCRIPTION
1	60-029-00	2	LABEL, TIGHTEN NUT
2	60-1275-00	2	LABEL, PIN LOCATION
3	69-0127-00	4	PIN, 10MM X 16MM PULL-OUT DOWEL
4	69-1100-06	1	RING, FORGED ROTATING (6" MDSF)
	69-1100-08	1	RING, FORGED ROTATING (8" MDSF)
5	69-4502-00	2	SWING CLAMP ASSEMBLY
6	69-4502-01	2	SWING CLAMP ASSEMBLY, 6" & 8"
7	90-088-88	2	PLUG, SAE -8 (3/4-16 THREAD)
8	90-900-01	1	LABEL, READ MANUAL .75 DIA.

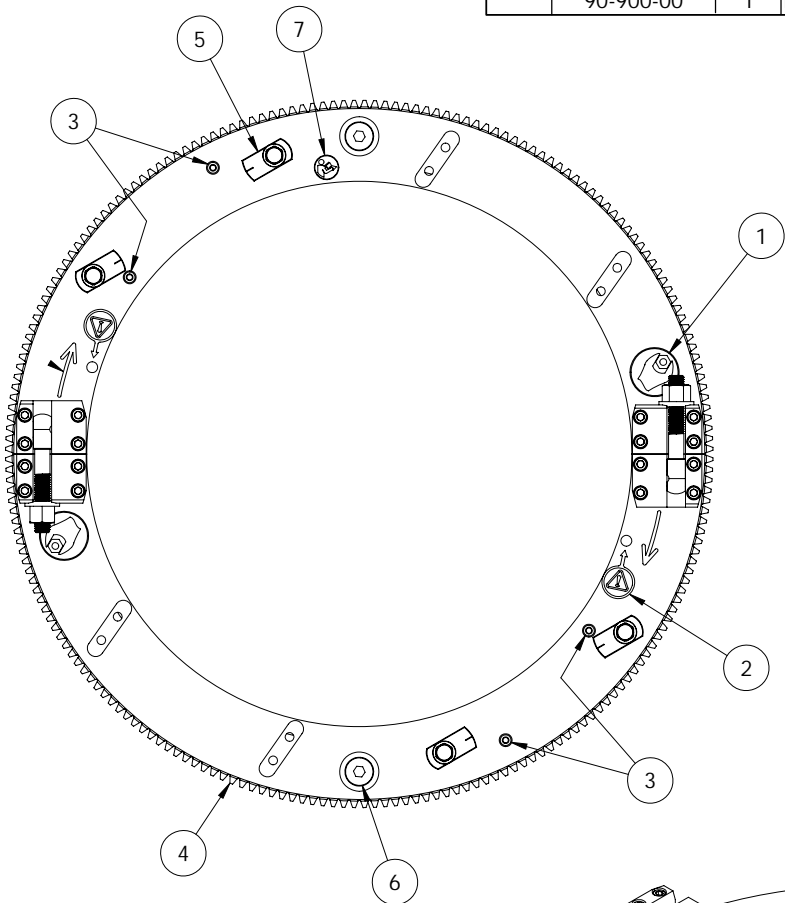
REV A



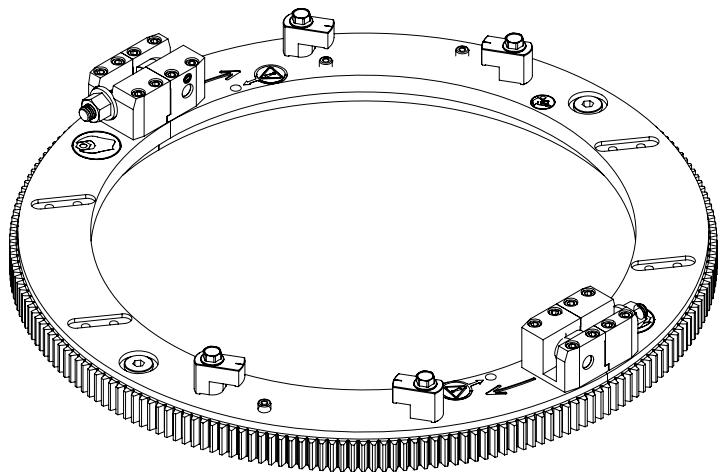
# 10"-48" Rotating Ring Assembly, 69-4000-XX

REV A (10; 24-48)  
REV B (12-24)

ITEM	PART NUMBER	QTY	DESCRIPTION
1	60-029-00	2	LABEL, TIGHTEN NUT
2	60-1275-00	2	LABEL, PIN LOCATION
3	69-0127-00	4	PIN, 10MM X 16MM PULL-OUT DOWEL
4	69-1100-XX	1	RING, FORGED ROTATING, SEE TABLE
5	69-4502-00	4	SWING CLAMP ASSEMBLY
6	90-088-88	2	PLUG, SAE -8 (3/4-16 THREAD)
7	90-900-01	1	LABEL, READ MANUAL .75 DIA. (10"-18")
	90-900-00	1	LABEL, READ MANUAL 1.5 DIA. (20"-48")



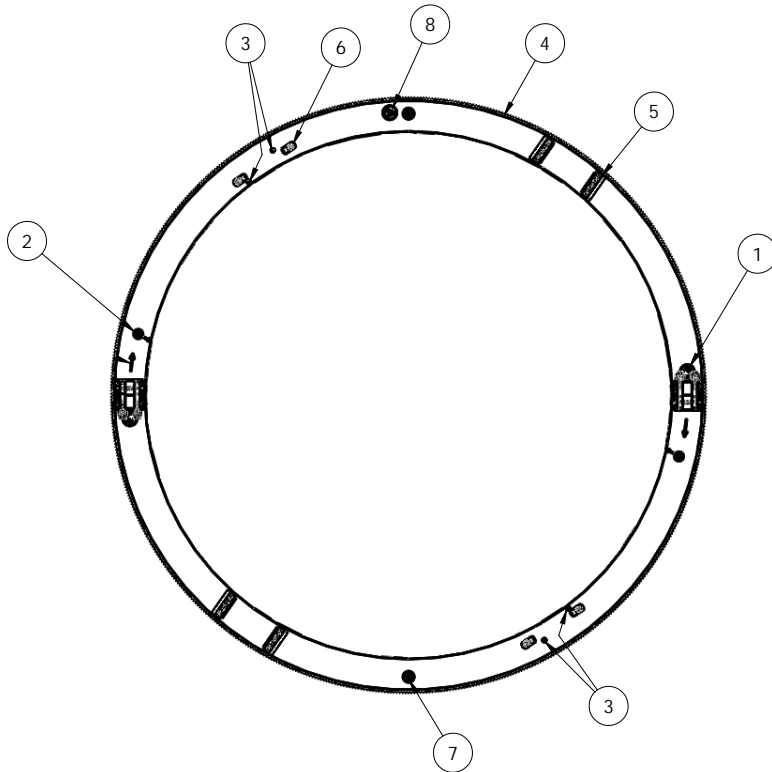
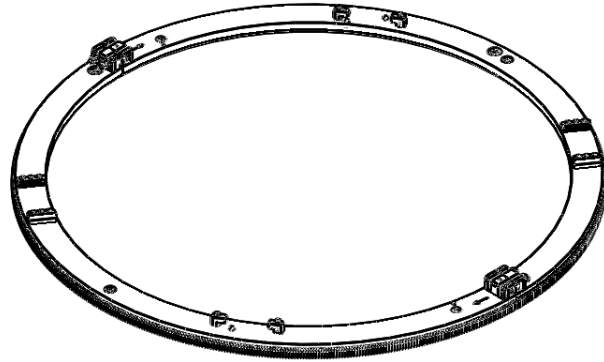
ITEM	MDSF MODEL	ROTATING RING
4	69-0000-10	69-1100-10
	69-0000-12	69-1100-12
	69-0000-14	69-1100-14
	69-0000-16	69-1100-16
	69-0000-18	69-1100-18
	69-0000-20	69-1100-20
	69-0000-24	69-1100-24
	69-0000-28	69-1100-28
	69-0000-32	69-1100-32
	69-0000-36	69-1100-36
	69-0000-42	69-1100-42
	69-0000-48	69-1100-48



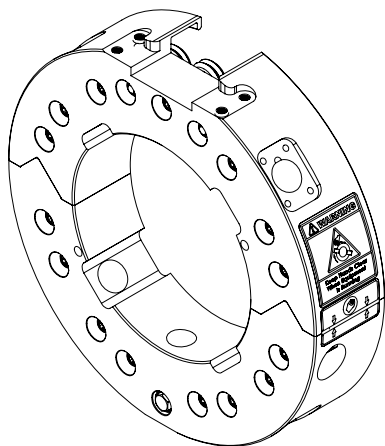
**54" and 60" Rotating Ring Assembly, 69-4000-XX**

ITEM	PART NUMBER	QTY	DESCRIPTION
1	60-029-00	2	LABEL, TIGHTEN NUT
2	60-1275-00	2	LABEL, PIN LOCATION
3	69-0127-00	4	PIN, 10MM X 16MM PULL-OUT DOWEL
4	69-1100-54	1	RING, FORGED ROTATING (54" MDSF)
	69-1100-60	1	RING, FORGED ROTATING (60" MDSF)
5	69-3066-00	4	TOE CLAMP ASSEMBLY, OD TRACKING 54"-60"
6	69-4502-00	4	SWING CLAMP ASSEMBLY
7	90-088-88	2	PLUG, SAE -8 (3/4-16 THREAD)
8	90-900-00	1	LABEL, READ MANUAL 1.50 DIA.

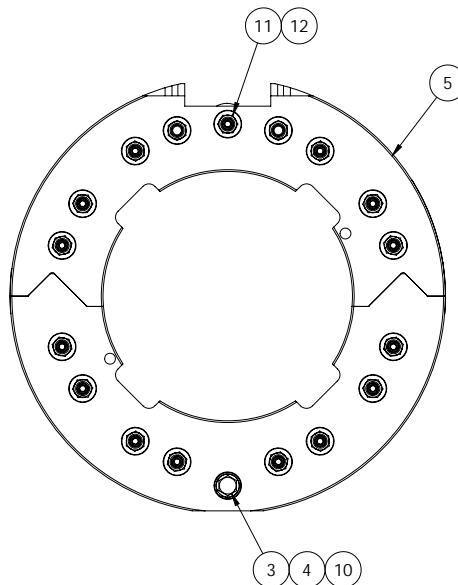
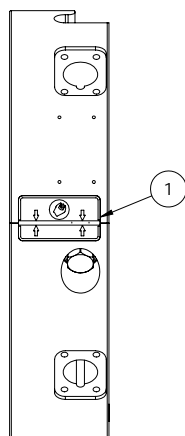
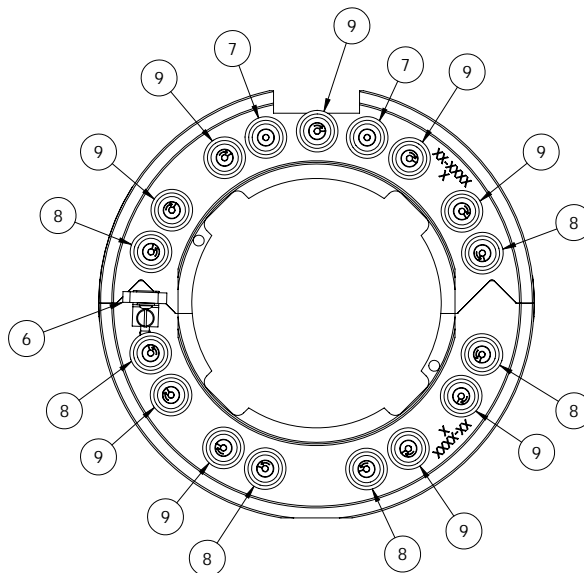
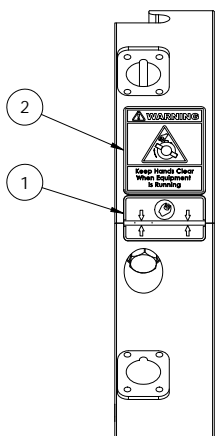
REV A



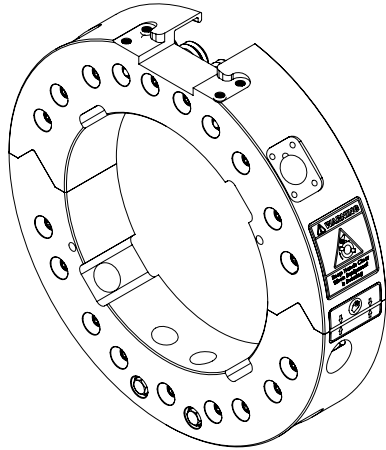
# 6" Stationary Frame Assembly, 69-4001-06



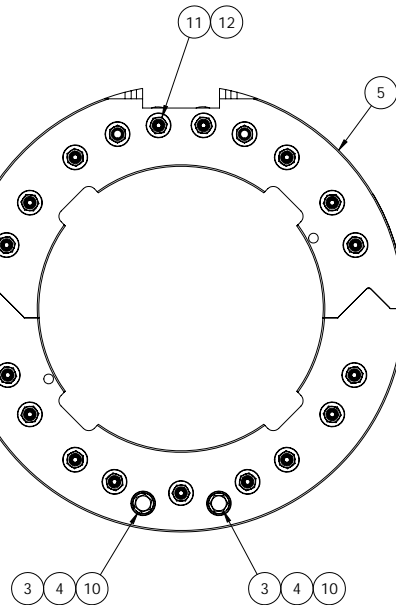
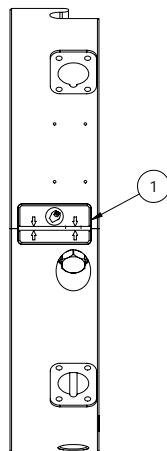
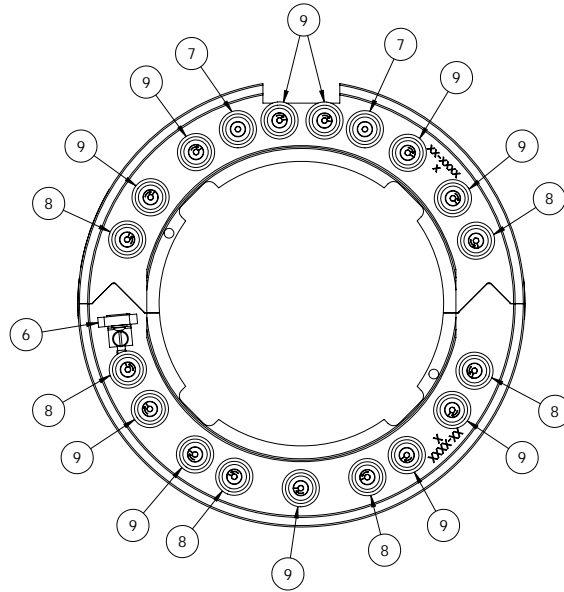
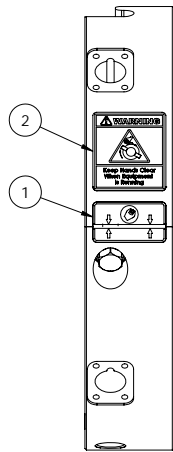
Rev B	ITEM	PART NUMBER	QTY	DESCRIPTION
	1	60-028-00	2	LABEL, NO GAPS
	2	60-363-00	1	LABEL, MOVING PARTS
	3	69-0073-00	1	SCREW, CAPTIVATED
	4	69-0094-00	1	NUT, TRIP POSITIONING BAR
	5	69-1200-06	1	RING, 6" STATIONARY FRAME
	6	69-3021-00	1	WIPER ASSEMBLY, 6" THRU 24"
	7	69-3051-00	2	STRAIGHT BEARING ASSEMBLY, OUTSIDE
	8	69-3052-00	6	ECCENTRIC BEARING ASSEMBLY, OUTSIDE
	9	69-3053-00	9	ECCENTRIC BEARING ASSEMBLY, INSIDE
	10	69-8026-00	1	RING, RETAINING-SPIRAL
	11	90-1016-00	17	NUT, M8 NYLOCK
	12	90-1017-00	17	WASHER, M8 SECURING



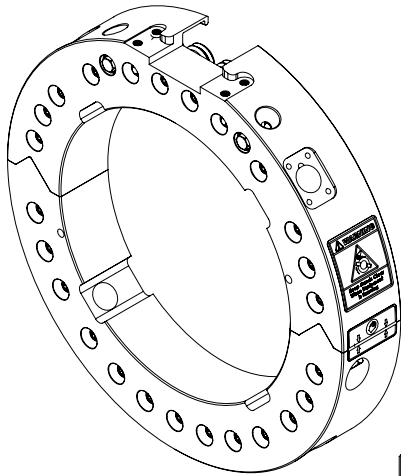
# 8" Stationary Frame Assembly, 69-4001-08



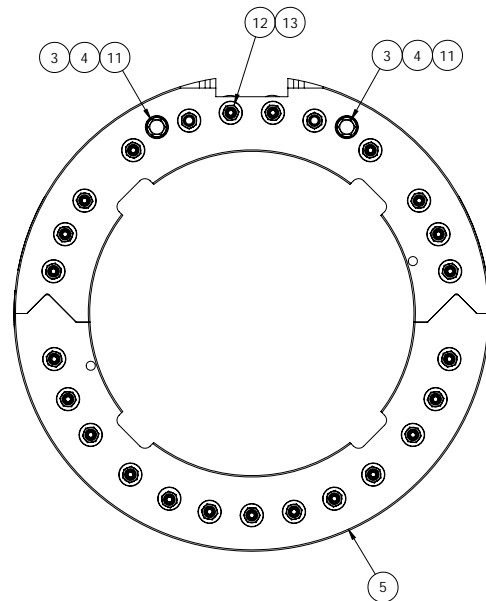
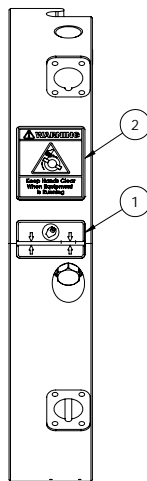
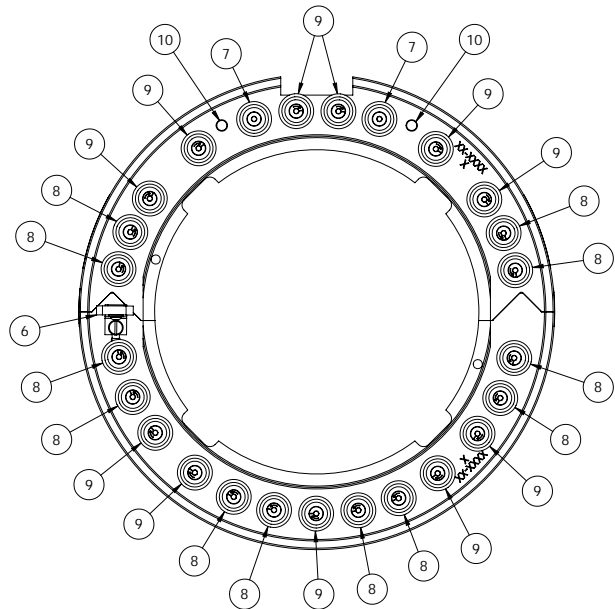
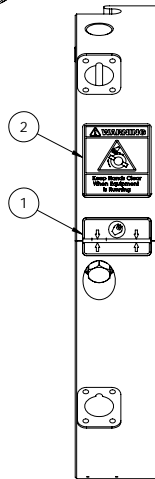
ITEM	PART NUMBER	QTY	DESCRIPTION
1	60-028-00	2	LABEL, NO GAPS
2	60-363-00	1	LABEL, MOVING PARTS
3	69-0073-00	2	SCREW, CAPTIVATED
4	69-0094-00	2	NUT, TRIP POSITIONING BAR
5	69-1200-08	1	RING, 8" STATIONARY FRAME
6	69-3021-00	1	WIPER ASSEMBLY, 6" THRU 24"
7	69-3051-00	2	STRAIGHT BEARING ASSEMBLY, OUTSIDE
8	69-3052-00	6	ECCENTRIC BEARING ASSEMBLY, OUTSIDE
9	69-3053-00	11	ECCENTRIC BEARING ASSEMBLY, INSIDE
10	69-8026-00	2	RING, RETAINING SPIRAL
11	90-1016-00	19	NUT, M8 NYLOCK
12	90-1017-00	19	WASHER, M8 SECURING



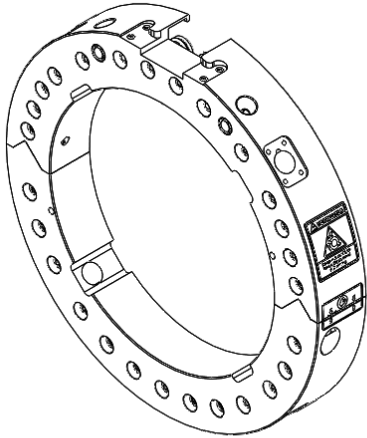
# 10" Stationary Frame Assembly, 69-4001-10



REV A	ITEM	PART NUMBER	QTY	DESCRIPTION
	1	60-028-00	2	LABEL, NO GAPS
	2	60-363-00	2	LABEL, MOVING PARTS
	3	69-0073-00	2	SCREW, CAPTIVATED
	4	69-0094-00	2	NUT, TRIP POSITIONING BAR
	5	69-1200-10	1	RING, 10" STATIONARY FRAME
	6	69-3021-00	1	WIPER ASSEMBLY, 6" THRU 24"
	7	69-3051-00	2	STRAIGHT BEARING ASSEMBLY, OUTSIDE
	8	69-3052-00	12	ECCENTRIC BEARING ASSEMBLY, OUTSIDE
	9	69-3053-00	11	ECCENTRIC BEARING ASSEMBLY, INSIDE
	10	69-8025-00	2	SPRING PLUNGER
	11	69-8026-00	2	RING, RETAINING-SPIRAL
	12	90-1016-00	25	NUT, M8 NYLOCK
	13	90-1017-00	25	WASHER, M8 SECURING

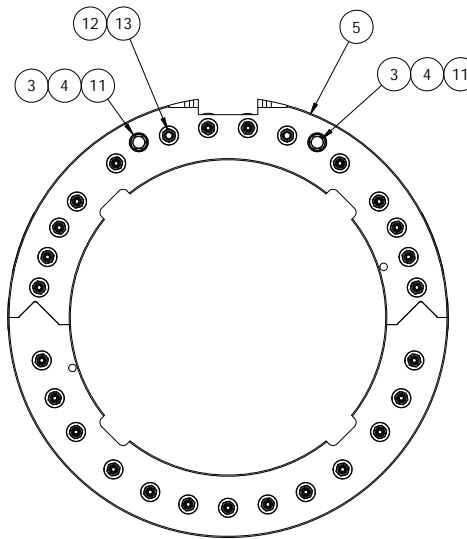
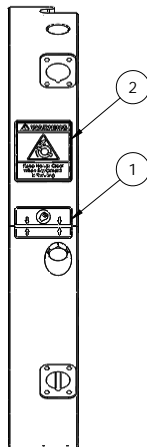
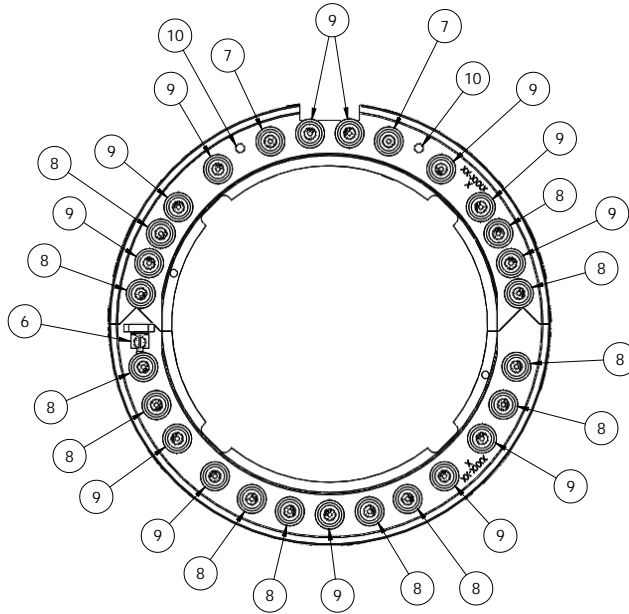
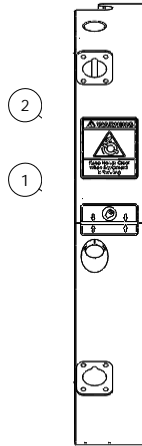


# 12" Stationary Frame Assembly, 69-4001-12



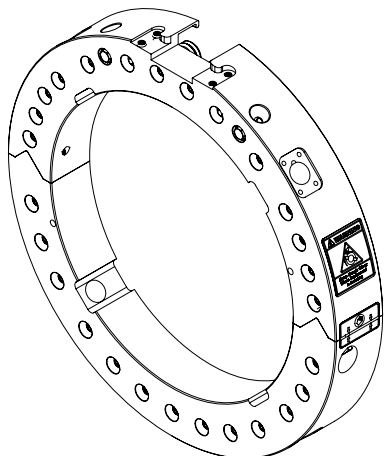
REV B

ITEM	PART NUMBER	QTY	DESCRIPTION
1	60-028-00	2	LABEL, NO GAPS
2	60-363-00	2	LABEL, MOVING PARTS
3	69-0073-00	2	SCREW, CAPTIVATED
4	69-0094-00	2	NUT, TRIP POSITIONING BAR
5	69-1200-12	1	RING, 12" STATIONARY FRAME
6	69-3021-00	1	WIPER ASSEMBLY, 6" THRU 24"
7	69-3051-00	2	STRAIGHT BEARING ASSEMBLY, OUTSIDE
8	69-3052-00	12	ECCENTRIC BEARING ASSEMBLY, OUTSIDE
9	69-3053-00	13	ECCENTRIC BEARING ASSEMBLY, INSIDE
10	69-8025-00	2	SPRING PLUNGER
11	69-8026-00	2	RING, RETAINING-SPIRAL
12	90-1016-00	27	NUT, M8 NYLOCK
13	90-1017-00	27	WASHER, M8 SECURING



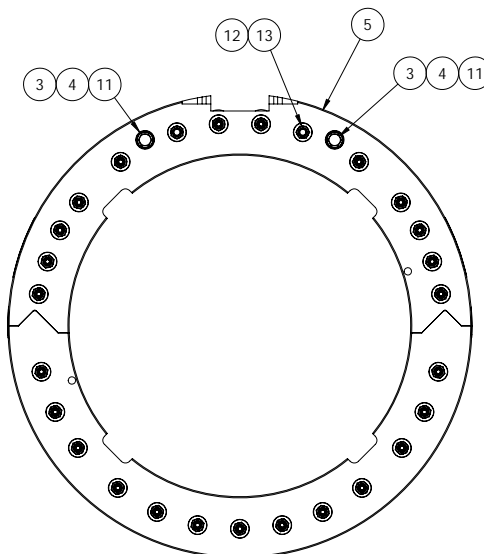
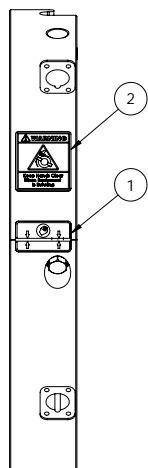
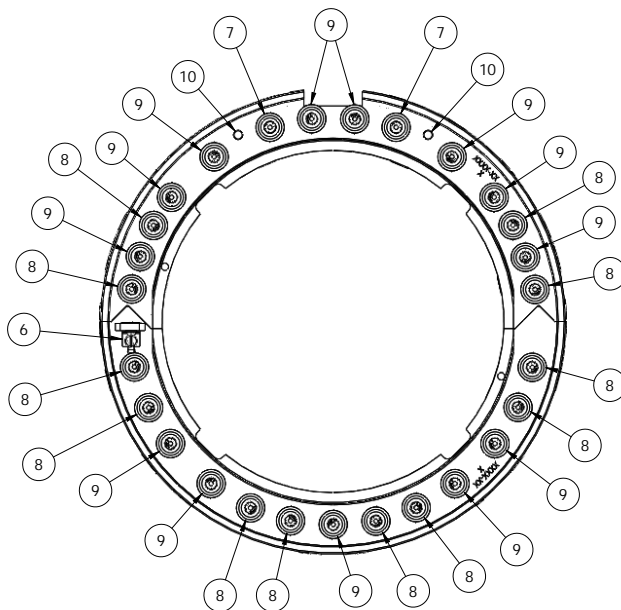
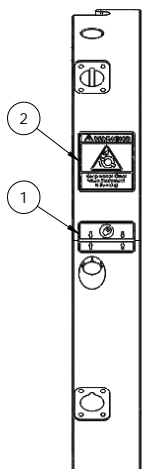


# 14" Stationary Frame Assembly, 69-4001-14



Rev C

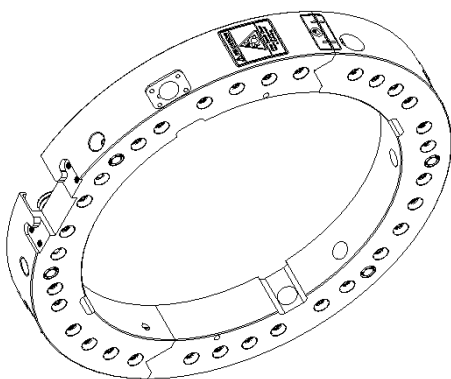
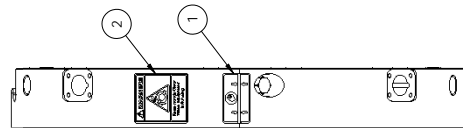
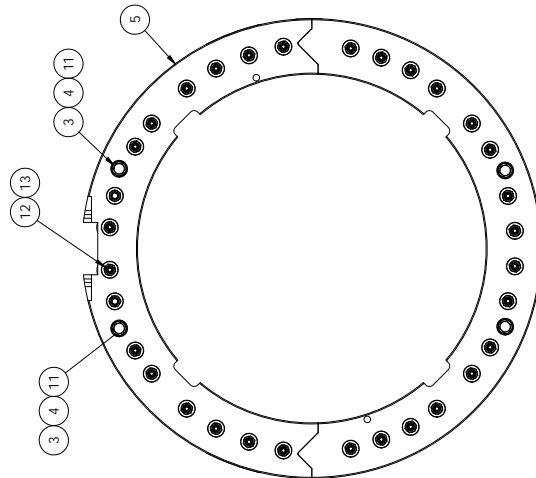
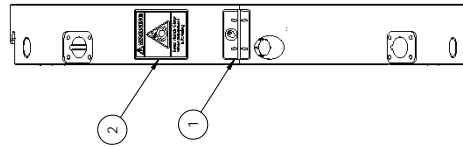
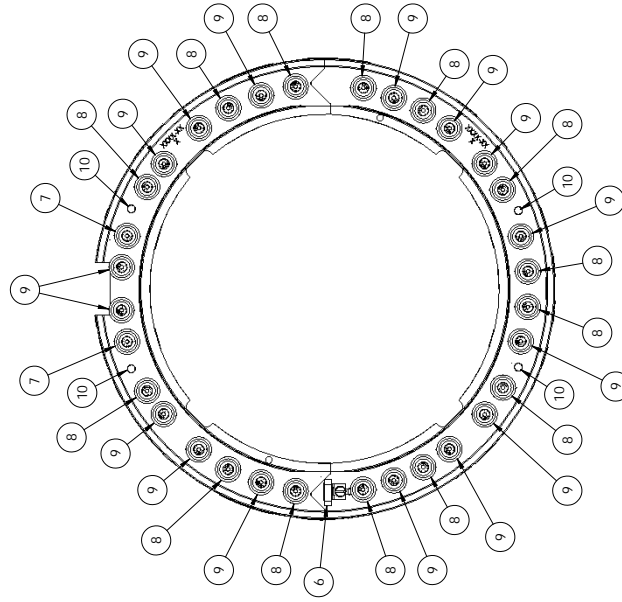
ITEM	PART NUMBER	QTY	DESCRIPTION
1	60-028-00	2	LABEL, NO GAPS
2	60-363-00	2	LABEL, MOVING PARTS
3	69-0073-00	2	SCREW, CAPTIVATED
4	69-0094-00	2	NUT, TRIP POSITIONING BAR
5	69-1200-14	1	RING, 14" STATIONARY FRAME
6	69-3021-00	1	WIPER ASSEMBLY, 6" THRU 24"
7	69-3051-00	2	STRAIGHT BEARING ASSEMBLY, OUTSIDE
8	69-3052-00	12	ECCENTRIC BEARING ASSEMBLY, OUTSIDE
9	69-3053-00	13	ECCENTRIC BEARING ASSEMBLY, INSIDE
10	69-8025-00	2	SPRING PLUNGER
11	69-8026-00	2	RING, RETAINING-SPIRAL
12	90-1016-00	27	NUT, M8 NYLOCK
13	90-1017-00	27	WASHER, M8 SECURING



# 16" Stationary Frame Assembly, 69-4001-16

ITEM	PART NUMBER	QTY	DESCRIPTION
1	60-028-00	2	LABEL, NO GAPS
2	60-363-00	2	LABEL, MOVING PARTS
3	69-0073-00	4	SCREW, CAPTIVATED
4	69-0094-00	4	NUT, TRIP POSITIONING BAR
5	69-1200-16	1	RING, 16" STATIONARY FRAME
6	69-3021-00	1	WIPER ASSEMBLY, 6" THRU 24"
7	69-3051-00	2	STRAIGHT BEARING ASSEMBLY, OUTSIDE
8	69-3052-00	14	ECCENTRIC BEARING ASSEMBLY, OUTSIDE
9	69-3053-00	16	ECCENTRIC BEARING ASSEMBLY, INSIDE
10	69-8025-00	4	SPRING PLUNGER
11	69-8026-00	4	RING, RETAINING-SPIRAL
12	90-1016-00	32	NUT, M8 NYLOCK
13	90-1017-00	32	WASHER, M8 SECURING

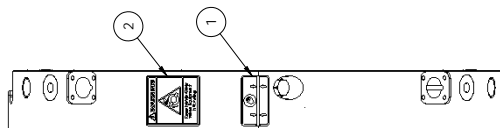
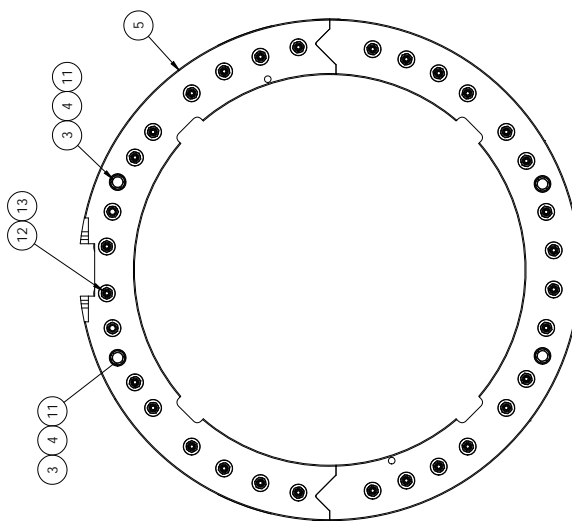
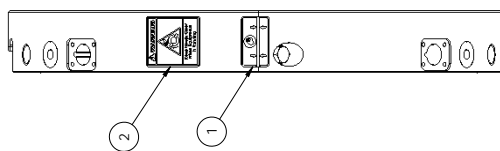
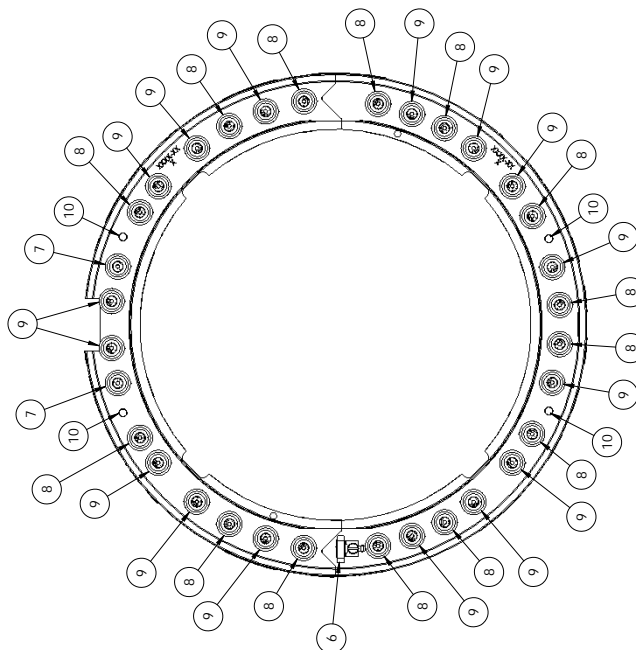
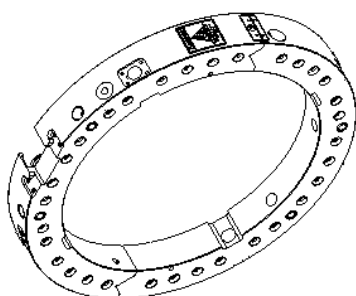
REV B



# 18" Stationary Frame Assembly, 69-4001-18

ITEM	PART NUMBER	QTY	DESCRIPTION
1	60-028-00	2	LABEL, NO GAPS
2	60-363-00	2	LABEL, MOVING PARTS
3	69-0073-00	4	SCREW, CAPTIVATED
4	69-0094-00	4	NUT, TRIP POSITIONING BAR
5	69-1200-18	1	RING, 18" STATIONARY FRAME
6	69-3021-00	1	WIPER ASSEMBLY, 6" THRU 24"
7	69-3051-00	2	STRAIGHT BEARING ASSEMBLY, OUTSIDE
8	69-3052-00	14	ECCENTRIC BEARING ASSEMBLY, OUTSIDE
9	69-3053-00	16	ECCENTRIC BEARING ASSEMBLY, INSIDE
10	69-8025-00	4	SPRING PLUNGER
11	69-8026-00	4	RING, RETAINING-SPIRAL
12	90-1016-00	32	NUT, M8 NYLOCK
13	90-1017-00	32	WASHER, M8 SECURING

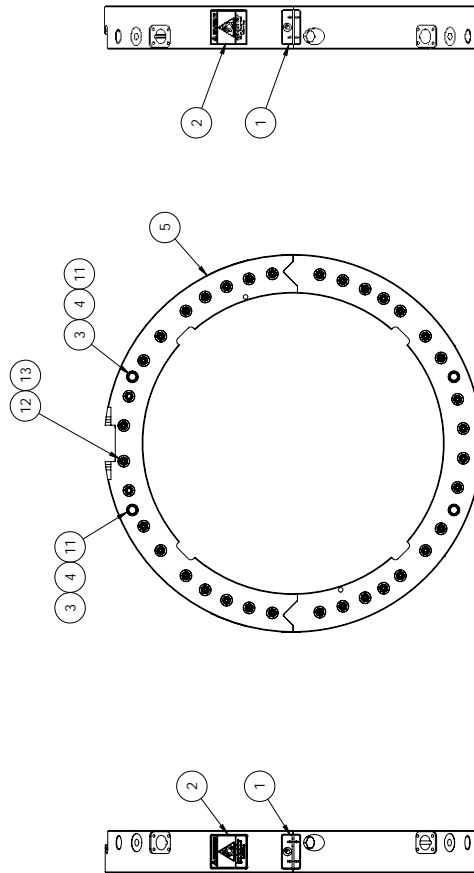
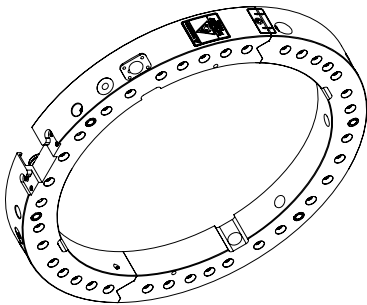
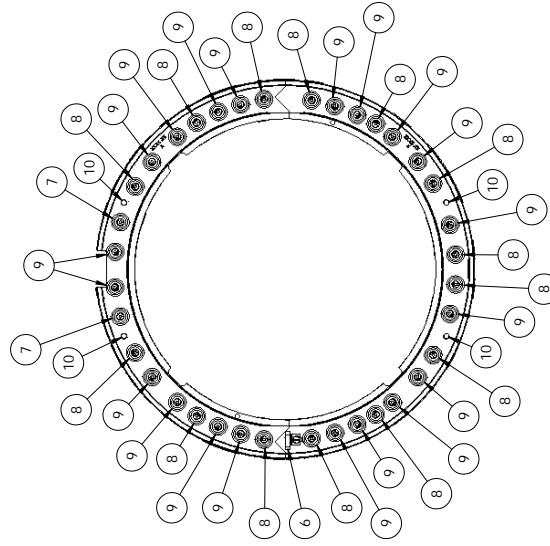
REV B



## 20" Stationary Frame Assembly, 69-4001-20

ITEM	PART NUMBER	QTY	DESCRIPTION
1	60-028-00	2	LABEL, NO GAPS
2	60-363-00	2	LABEL, MOVING PARTS
3	69-0073-00	4	SCREW, CAPTIVATED
4	69-0094-00	4	NUT, TRIP POSITIONING BAR
5	69-1200-20	1	RING, 20" STATIONARY FRAME
6	69-3021-00	1	WIPER ASSEMBLY, 6" THRU 24"
7	69-3051-00	2	STRAIGHT BEARING ASSEMBLY, OUTSIDE
8	69-3052-00	14	ECCENTRIC BEARING ASSEMBLY, OUTSIDE
9	69-3053-00	20	ECCENTRIC BEARING ASSEMBLY, INSIDE
10	69-8025-00	4	SPRING PLUNGER
11	69-8026-00	4	RING, RETAINING-SPIRAL
12	90-1016-00	36	NUT, M8 NYLOCK
13	90-1017-00	36	WASHER, M8 SECURING

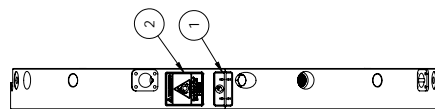
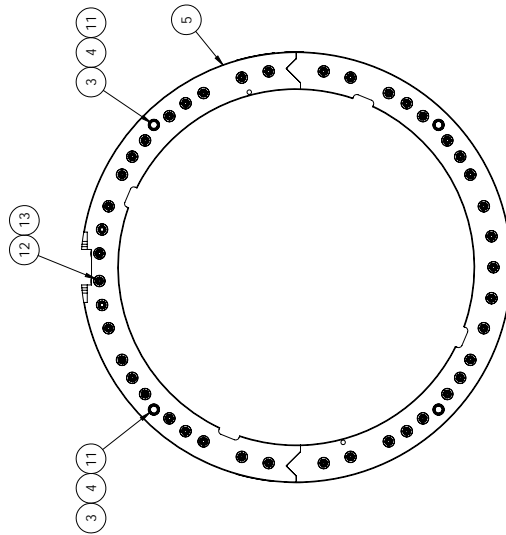
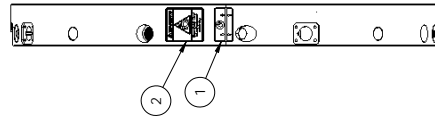
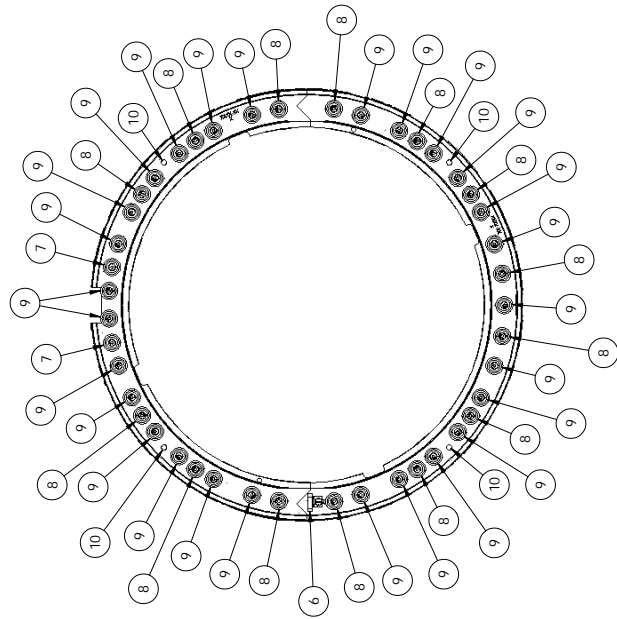
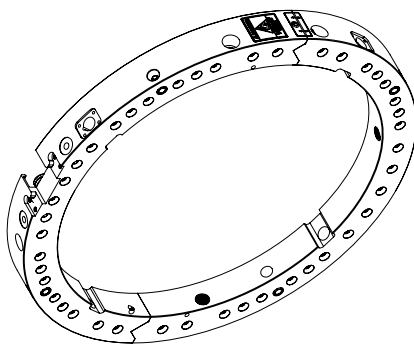
REV B



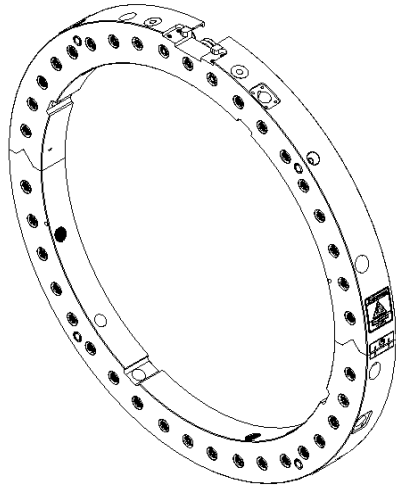
# 24" Stationary Frame Assembly, 69-4001-24

ITEM	PART NUMBER	QTY	DESCRIPTION
1	60-028-00	2	LABEL, NO GAPS
2	60-363-00	2	LABEL, MOVING PARTS
3	69-0073-00	4	SCREW, CAPTIVATED
4	69-0094-00	4	NUT, TRIP POSITIONING BAR
5	69-1200-24	1	RING, 24" STATIONARY FRAME
6	69-3021-00	1	WIPER ASSEMBLY, 6" THRU 24"
7	69-3051-00	2	STRAIGHT BEARING ASSEMBLY, OUTSIDE
8	69-3052-00	14	ECCENTRIC BEARING ASSEMBLY, OUTSIDE
9	69-3053-00	27	ECCENTRIC BEARING ASSEMBLY, INSIDE
10	69-8026-00	4	SPRING PLUNGER
11	69-8025-00	4	RING, RETAINING-SPRAL
12	90-1016-00	43	NUT, M8 NYLOCK
13	90-1017-00	43	WASHER, M8 SECURING

REV B

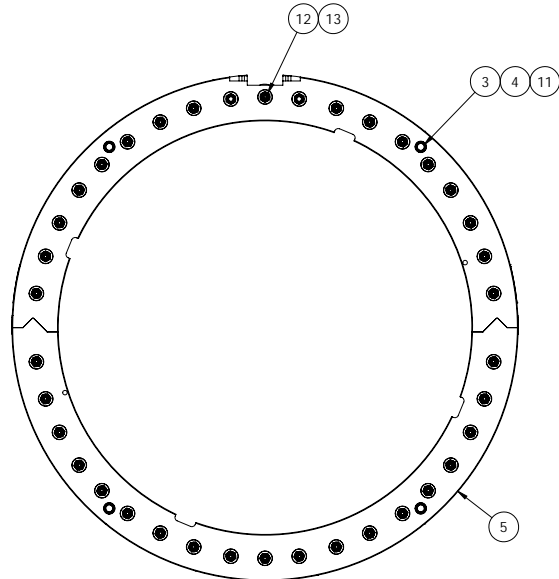
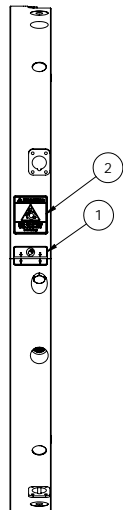
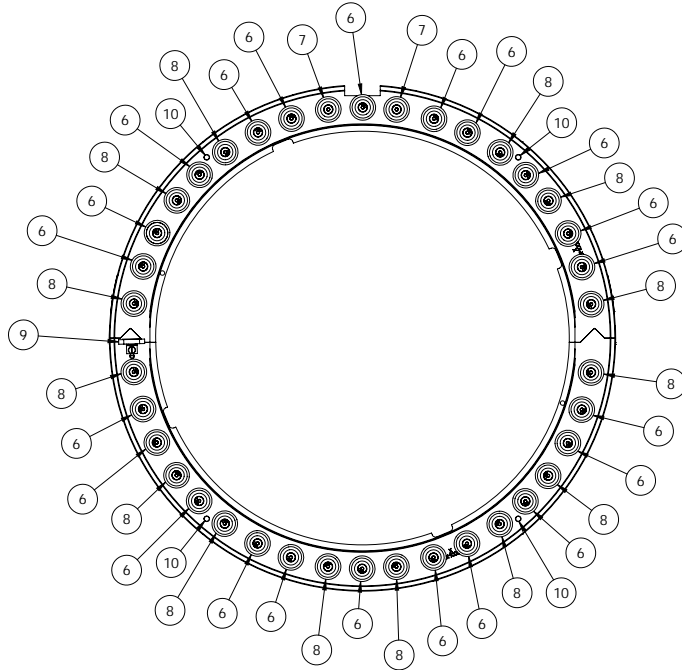
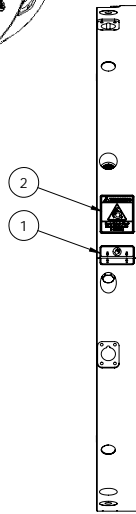


## 28" Stationary Frame Assembly, 69-4001-28

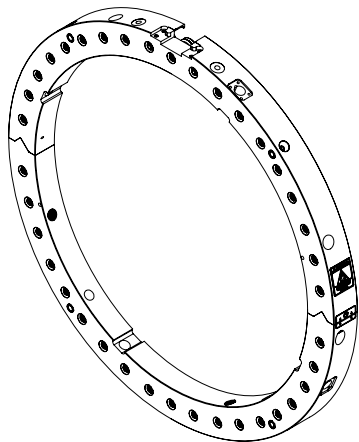


Rev A

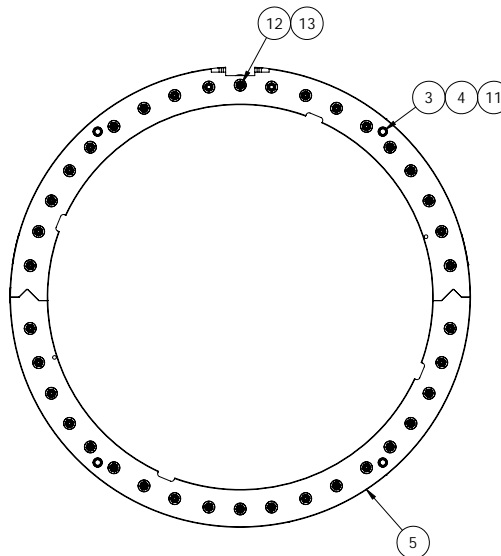
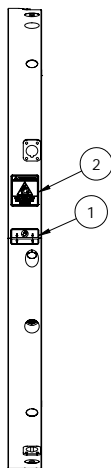
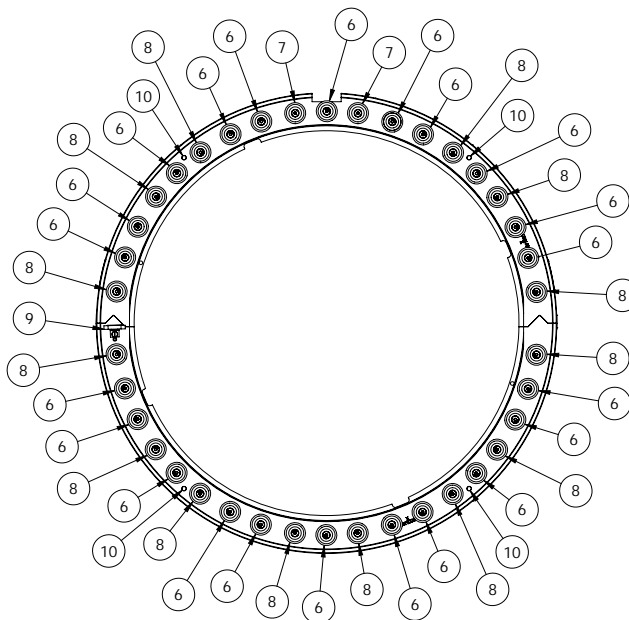
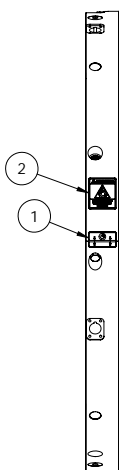
ITEM	PART NUMBER	QTY	DESCRIPTION
1	60-028-00	2	LABEL, NO GAPS
2	60-363-00	2	LABEL, MOVING PARTS
3	69-0073-00	4	SCREW, CAPTIVATED
4	69-0094-00	4	NUT, TRIP POSITIONING BAR
5	69-1200-28	1	RING, 28" STATIONARY FRAME
6	69-3048-00	22	ECCENTRIC BEARING ASSEMBLY, INSIDE
7	69-3049-00	2	STRAIGHT BEARING ASSEMBLY, OUTSIDE
8	69-3050-00	14	ECCENTRIC BEARING ASSEMBLY, OUTSIDE
9	69-3064-00	1	WIPER ASSEMBLY, 28" THRU 48"
10	69-8025-00	4	SPRING PLUNGER
11	69-8026-00	4	RING, RETAINING-SPIRAL
12	90-075-59	38	WASHER, 3/8 SECURING
13	90-1042-00	38	NUT, M10 NYLOCK



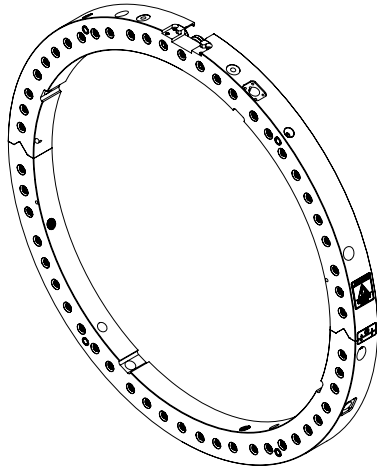
### 32" Stationary Frame Assembly, 69-4001-32



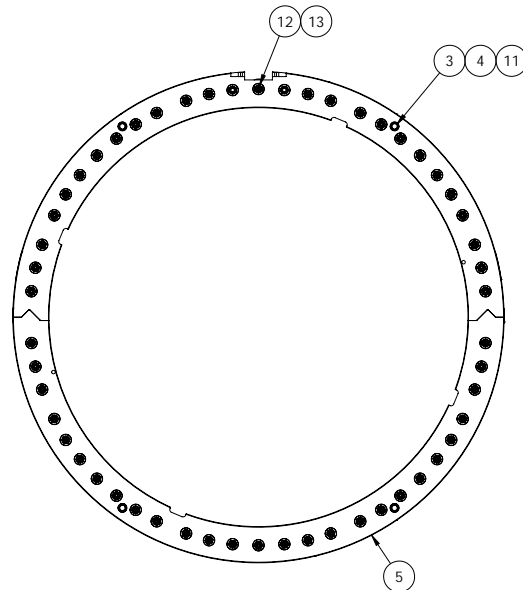
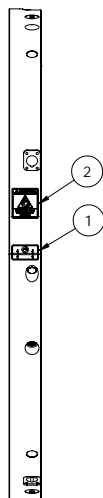
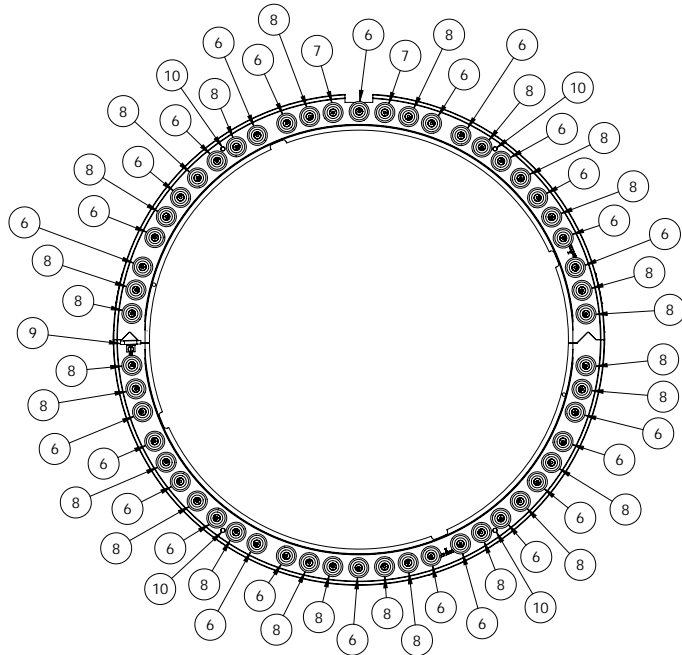
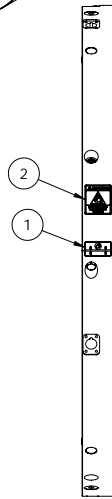
Rev A	ITEM	PART NUMBER	QTY	DESCRIPTION
	1	60-028-00	2	LABEL, NO GAPS
	2	60-363-00	2	LABEL, MOVING PARTS
	3	69-0073-00	4	SCREW, CAPTIVATED
	4	69-0094-00	4	NUT, TRIP POSITIONING BAR
	5	69-1200-32	1	RING, 28" STATIONARY FRAME
	6	69-3048-00	22	ECCENTRIC BEARING ASSEMBLY, INSIDE
	7	69-3049-00	2	STRAIGHT BEARING ASSEMBLY, OUTSIDE
	8	69-3050-00	14	ECCENTRIC BEARING ASSEMBLY, OUTSIDE
	9	69-3064-00	1	WIPER ASSEMBLY, 28" THRU 48"
	10	69-8025-00	4	SPRING PLUNGER
	11	69-8026-00	4	RING, RETAINING-SPIRAL
	12	90-075-59	38	WASHER, 3/8 SECURING
	13	90-1042-00	38	NUT, M10 NYLOCK



### 36" Stationary Frame Assembly, 69-4001-36

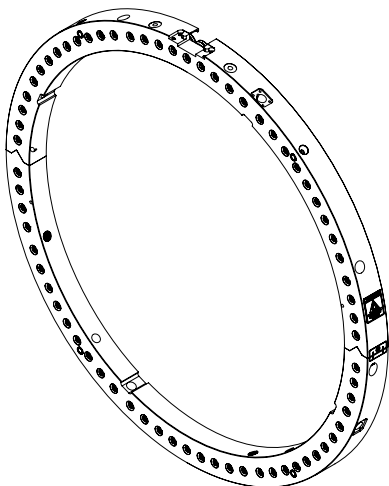


ITEM	PART NUMBER	QTY	DESCRIPTION
1	60-028-00	2	LABEL, NO GAPS
2	60-363-00	2	LABEL, MOVING PARTS
3	69-0073-00	4	SCREW, CAPTIVATED
4	69-0094-00	4	NUT, TRIP POSITIONING BAR
5	69-1200-36	1	RING, 36" STATIONARY FRAME
6	69-3048-00	26	ECCENTRIC BEARING ASSEMBLY, INSIDE
7	69-3049-00	2	STRAIGHT BEARING ASSEMBLY, OUTSIDE
8	69-3050-00	26	ECCENTRIC BEARING ASSEMBLY, OUTSIDE
9	69-3064-00	1	WIPER ASSEMBLY, 28" THRU 48"
10	69-8025-00	4	SPRING PLUNGER
11	69-8026-00	4	RING, RETAINING-SPIRAL
12	90-075-59	54	WASHER, 3/8 SECURING
13	90-1042-00	54	NUT, M10 NYLOCK

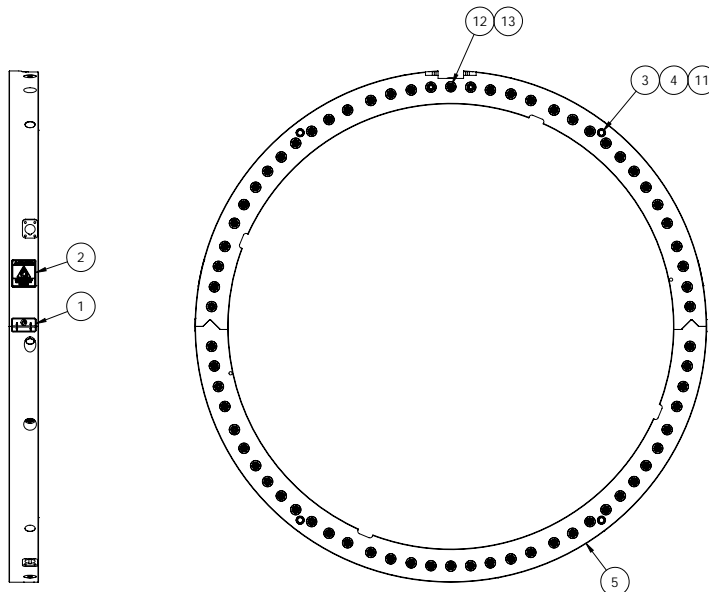
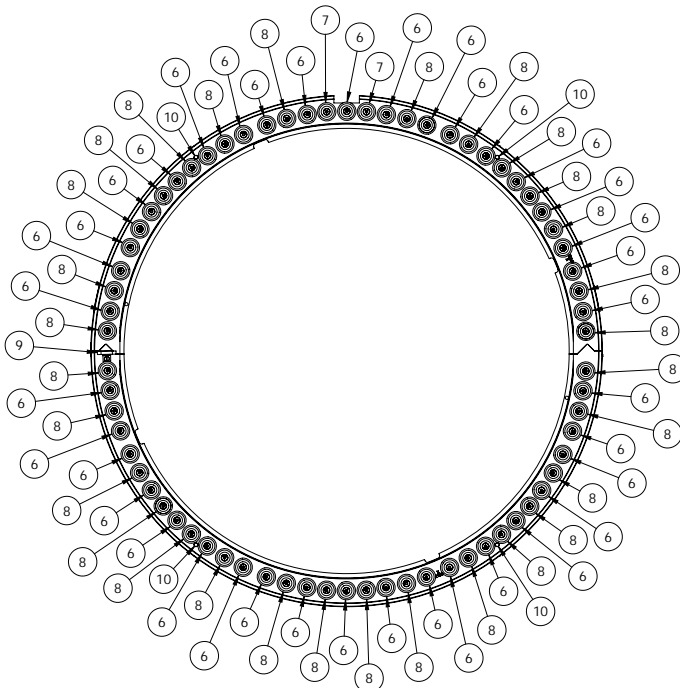
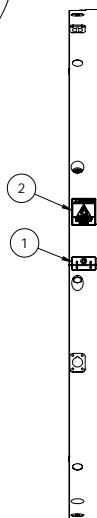




# 42" Stationary Frame Assembly, 69-4001-42



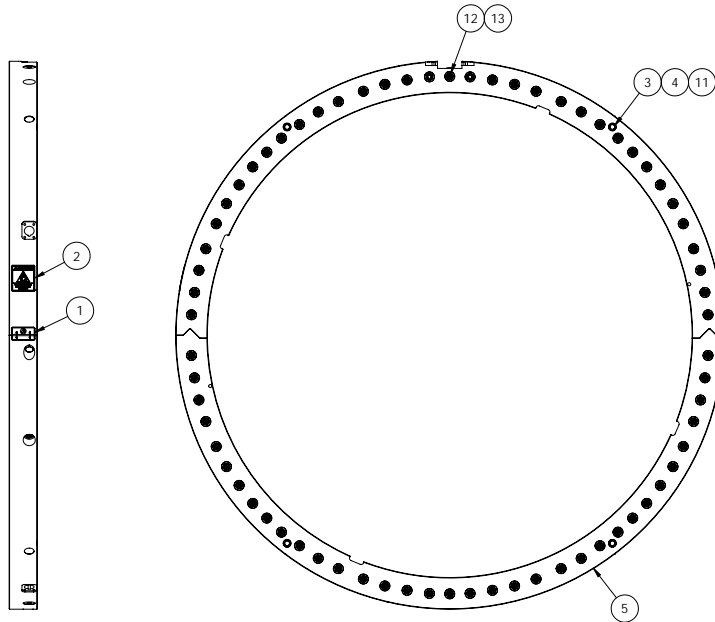
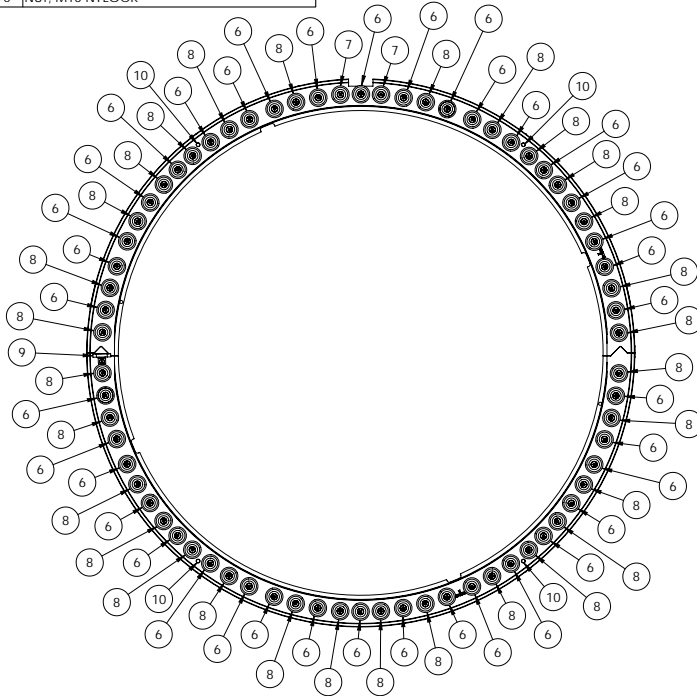
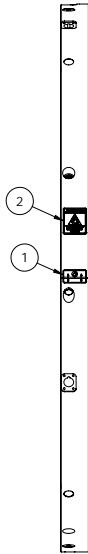
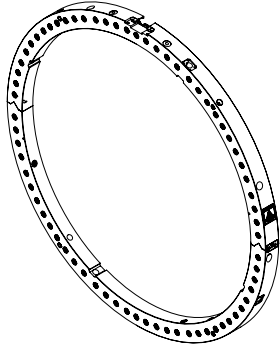
Rev A	ITEM	PART NUMBER	QTY	DESCRIPTION
	1	60-028-00	2	LABEL, NO GAPS
	2	60-363-00	2	LABEL, MOVING PARTS
	3	69-0073-00	4	SCREW, CAPTIVATED
	4	69-0094-00	4	NUT, TRIP POSITIONING BAR
	5	69-1200-42	1	RING, 42" STATIONARY FRAME
	6	69-3048-00	38	ECCENTRIC BEARING ASSEMBLY, INSIDE
	7	69-3049-00	2	STRAIGHT BEARING ASSEMBLY, OUTSIDE
	8	69-3050-00	30	ECCENTRIC BEARING ASSEMBLY, OUTSIDE
	9	69-3064-00	1	WIPER ASSEMBLY, 28" THRU 48"
	10	69-8025-00	4	SPRING PLUNGER
	11	69-8026-00	4	RING, RETAINING-SPIRAL
	12	90-075-59	70	WASHER, 3/8 SECURING
	13	90-1042-00	70	NUT, M10 NYLOCK



# 48" Stationary Frame Assembly, 69-4001-48

REV A

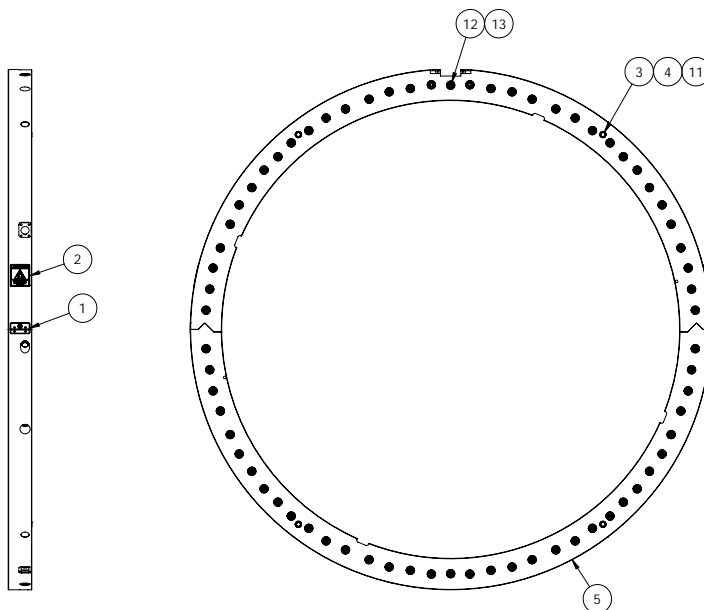
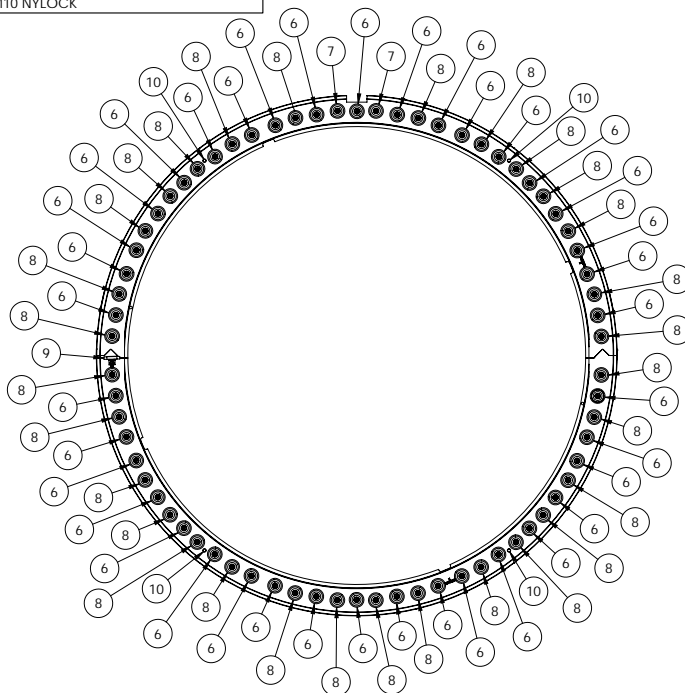
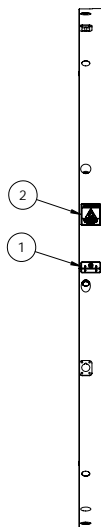
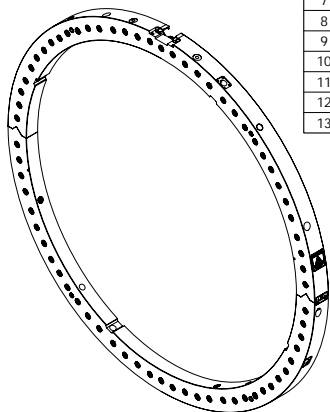
ITEM	PART NUMBER	QTY	DESCRIPTION
1	60-028-00	2	LABEL, NO GAPS
2	60-363-00	2	LABEL, MOVING PARTS
3	69-0073-00	4	SCREW, CAPTIVATED
4	69-0094-00	4	NUT, TRIP POSITIONING BAR
5	69-1200-48	1	RING, 48" STATIONARY FRAME
6	69-3048-00	38	ECCENTRIC BEARING ASSEMBLY, INSIDE
7	69-3049-00	2	STRAIGHT BEARING ASSEMBLY, OUTSIDE
8	69-3050-00	30	ECCENTRIC BEARING ASSEMBLY, OUTSIDE
9	69-3064-00	1	WIPER ASSEMBLY, 28" THRU 48"
10	69-8025-00	4	SPRING PLUNGER
11	69-8026-00	4	RING, RETAINING-SPIRAL
12	90-075-59	70	WASHER, 3/8 SECURING
13	90-1042-00	70	NUT, M10 NYLOCK



# 54" Stationary Frame Assembly, 69-4001-54

REV A

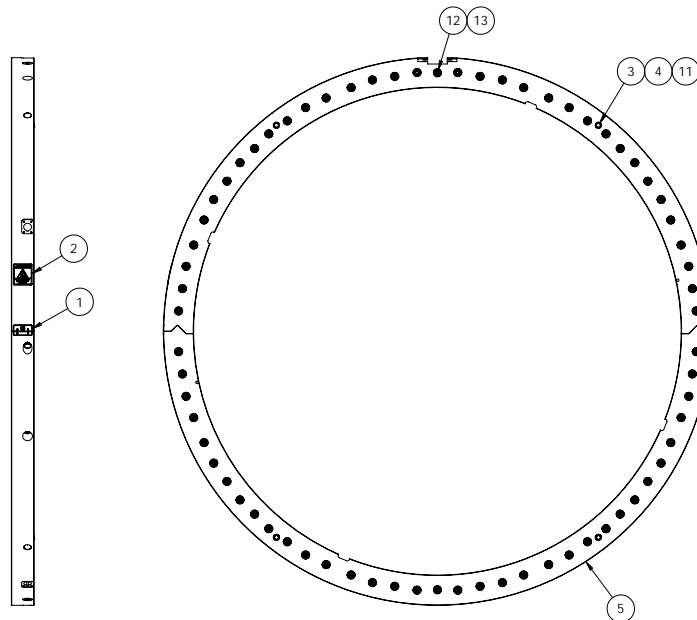
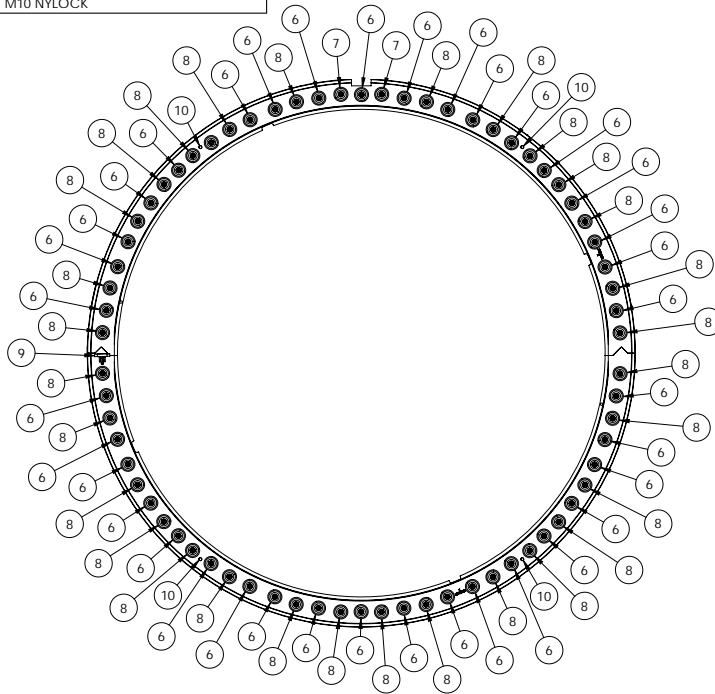
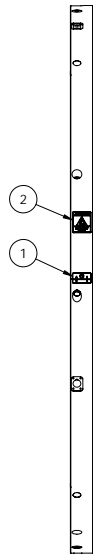
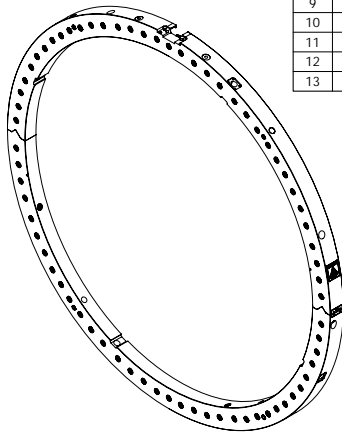
ITEM	PART NUMBER	QTY	DESCRIPTION
1	60-028-00	2	LABEL, NO GAPS
2	60-363-00	2	LABEL, MOVING PARTS
3	69-0073-00	4	SCREW, CAPTIVATED
4	69-0094-00	4	NUT, TRIP POSITIONING BAR
5	69-1200-54	1	RING, 54" STATIONARY FRAME
6	69-3048-00	38	ECCENTRIC BEARING ASSEMBLY, INSIDE
7	69-3049-00	2	STRAIGHT BEARING ASSEMBLY, OUTSIDE
8	69-3050-00	30	ECCENTRIC BEARING ASSEMBLY, OUTSIDE
9	69-3065-00	1	WIPER ASSEMBLY, 54" THRU 60"
10	69-8025-00	4	SPRING PLUNGER
11	69-8026-00	4	RING, RETAINING-SPIRAL
12	90-075-59	70	WASHER, 3/8 SECURING
13	90-1042-00	70	NUT, M10 NYLOCK



# 60" Stationary Frame Assembly, 69-4001-60

Rev A

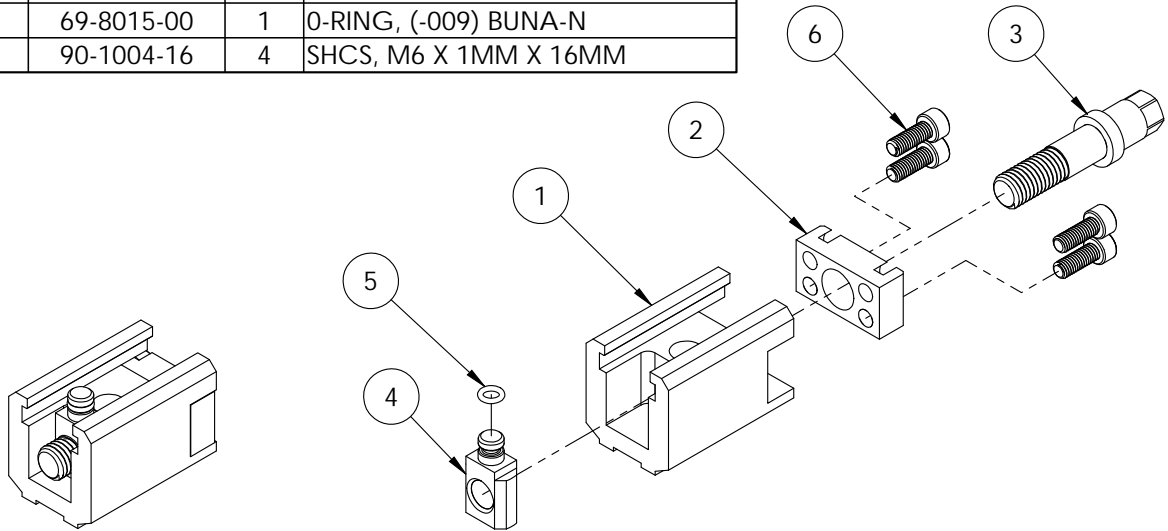
ITEM	PART NUMBER	QTY	DESCRIPTION
1	60-028-00	2	LABEL, NO GAPS
2	60-363-00	2	LABEL, MOVING PARTS
3	69-0073-00	4	SCREW, CAPTIVATED
4	69-0094-00	4	NUT, TRIP POSITIONING BAR
5	69-1200-60	1	RING, 60" STATIONARY FRAME
6	69-3048-00	38	ECCENTRIC BEARING ASSEMBLY, INSIDE
7	69-3049-00	2	STRAIGHT BEARING ASSEMBLY, OUTSIDE
8	69-3050-00	30	ECCENTRIC BEARING ASSEMBLY, OUTSIDE
9	69-3065-00	1	WIPER ASSEMBLY, 54" THRU 60"
10	69-8025-00	4	SPRING PLUNGER
11	69-8026-00	4	RING, RETAINING-SPIRAL
12	90-075-59	70	WASHER, 3/8 SECURING
13	90-1042-00	70	NUT, M10 NYLOCK



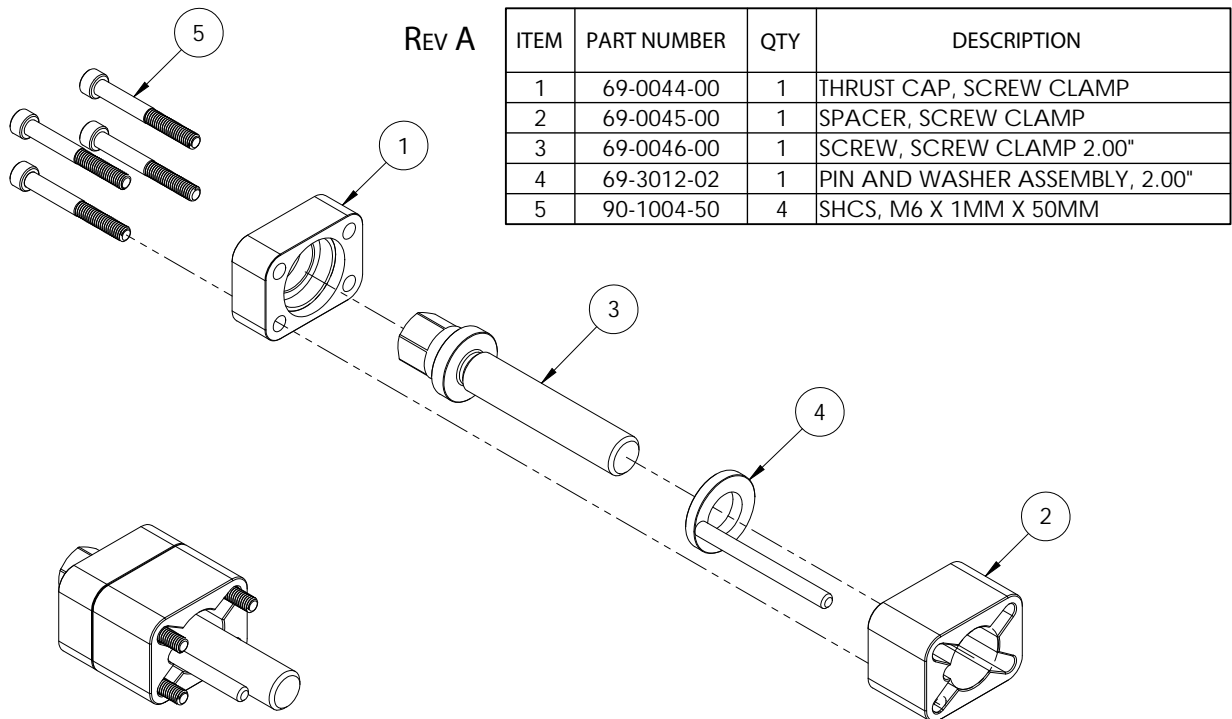
### Axial Adjustment Leg, 69-3062-00

ITEM	PART NUMBER	QTY	DESCRIPTION
1	69-0062-00	1	LEG, ADJUSTABLE
2	69-0063-00	1	RETAINER
3	69-0064-00	1	SCREW, ADJUSTMENT
4	69-0065-00	1	NUT, AXIAL ADJUSTMENT
5	69-8015-00	1	O-RING, (-009) BUNA-N
6	90-1004-16	4	SHCS, M6 X 1MM X 16MM

REV A



### Screw Clamp Assembly, 69-4500-02



REV A

ITEM	PART NUMBER	QTY	DESCRIPTION
1	69-0044-00	1	THRUST CAP, SCREW CLAMP
2	69-0045-00	1	SPACER, SCREW CLAMP
3	69-0046-00	1	SCREW, SCREW CLAMP 2.00"
4	69-3012-02	1	PIN AND WASHER ASSEMBLY, 2.00"
5	90-1004-50	4	SHCS, M6 X 1MM X 50MM



## Chapter 4

# **Drives, Drive Adapters, and Power Accessories**

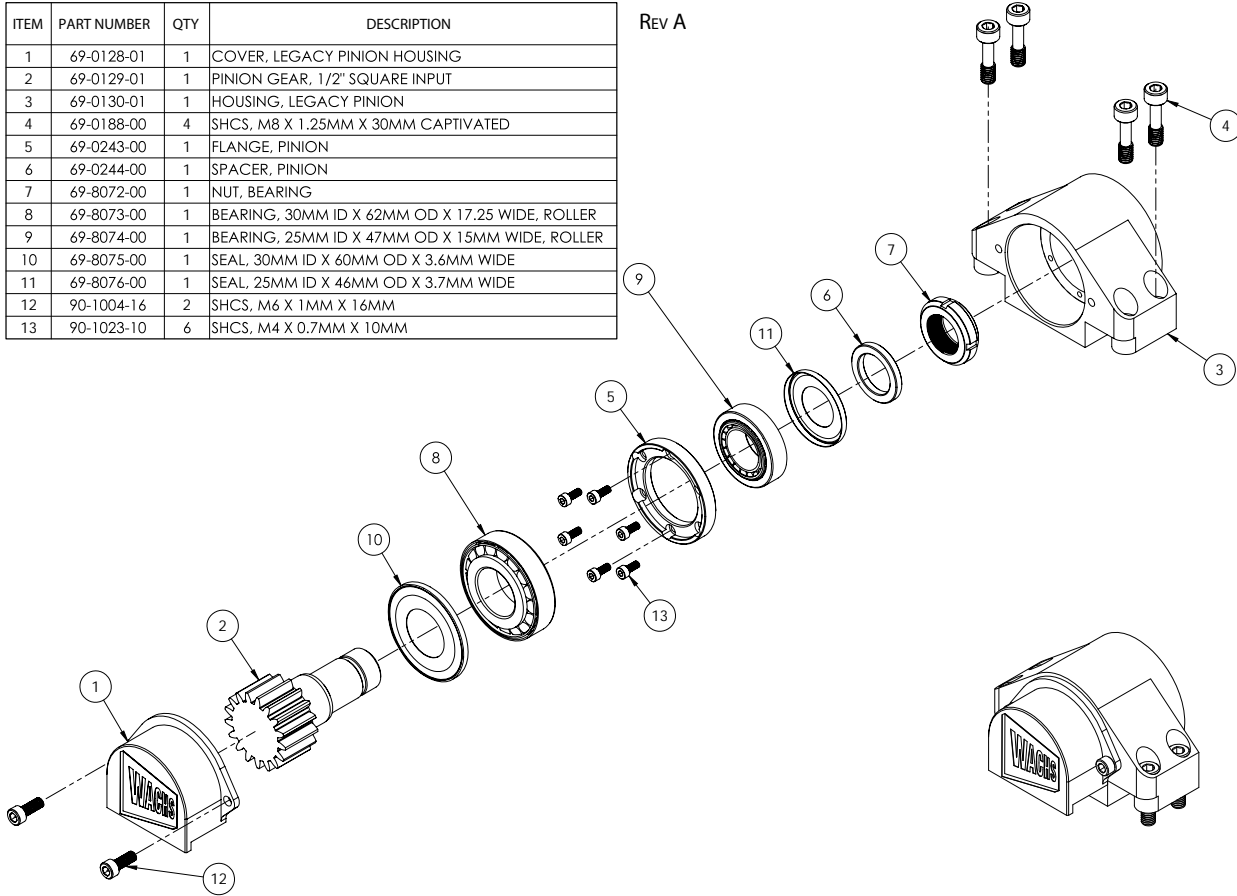
.....

This chapter contains drawings and parts lists for DynaPrep MDSF drive components.

**Pinion Assembly, 1/2" Square Drive, 69-3025-01**

ITEM	PART NUMBER	QTY	DESCRIPTION
1	69-0128-01	1	COVER, LEGACY PINION HOUSING
2	69-0129-01	1	PINION GEAR, 1/2" SQUARE INPUT
3	69-0130-01	1	HOUSING, LEGACY PINION
4	69-0188-00	4	SHCS, M8 X 1.25MM X 30MM CAPTIVATED
5	69-0243-00	1	FLANGE, PINION
6	69-0244-00	1	SPACER, PINION
7	69-8072-00	1	NUT, BEARING
8	69-8073-00	1	BEARING, 30MM ID X 62MM OD X 17.25 WIDE, ROLLER
9	69-8074-00	1	BEARING, 25MM ID X 47MM OD X 15MM WIDE, ROLLER
10	69-8075-00	1	SEAL, 30MM ID X 60MM OD X 3.6MM WIDE
11	69-8076-00	1	SEAL, 25MM ID X 46MM OD X 3.7MM WIDE
12	90-1004-16	2	SHCS, M6 X 1MM X 16MM
13	90-1023-10	6	SHCS, M4 X 0.7MM X 10MM

Rev A

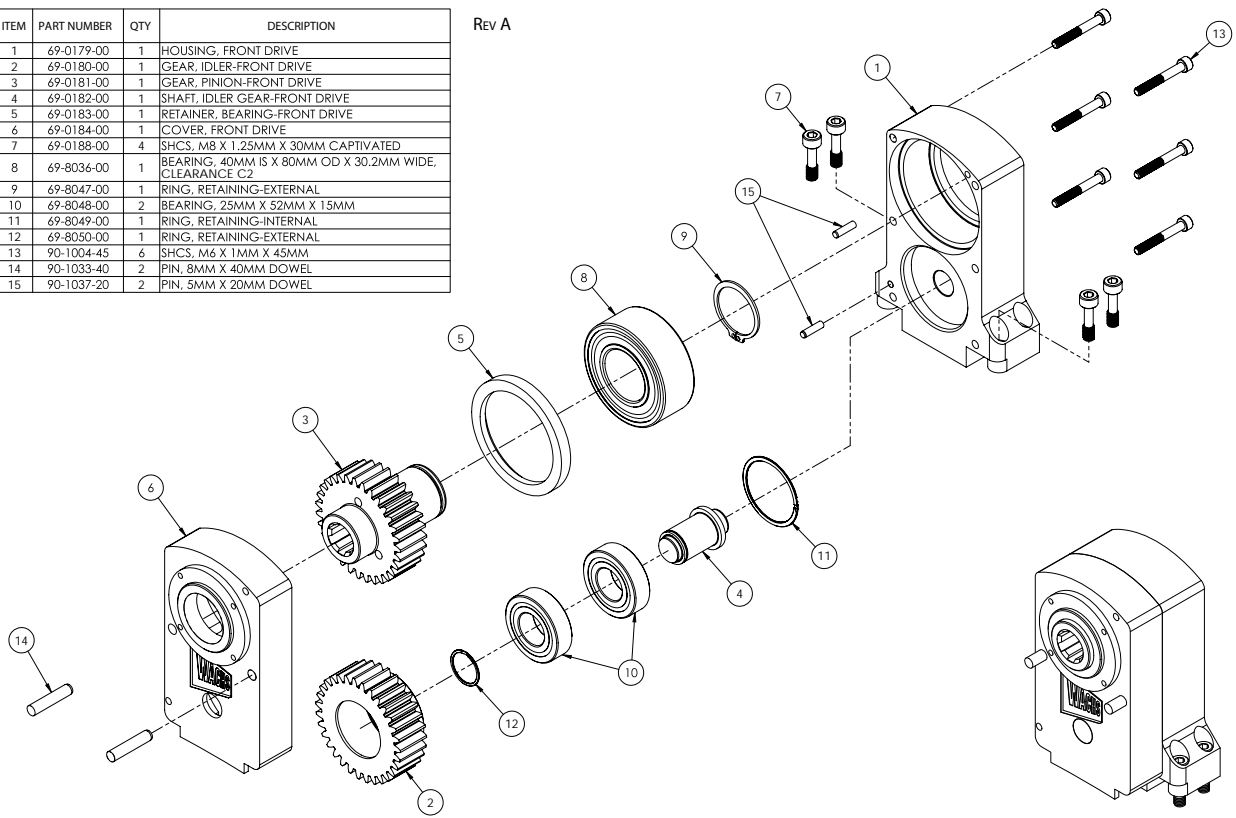




# Pinion Front Drive Sub-Assembly, 69-3038-00

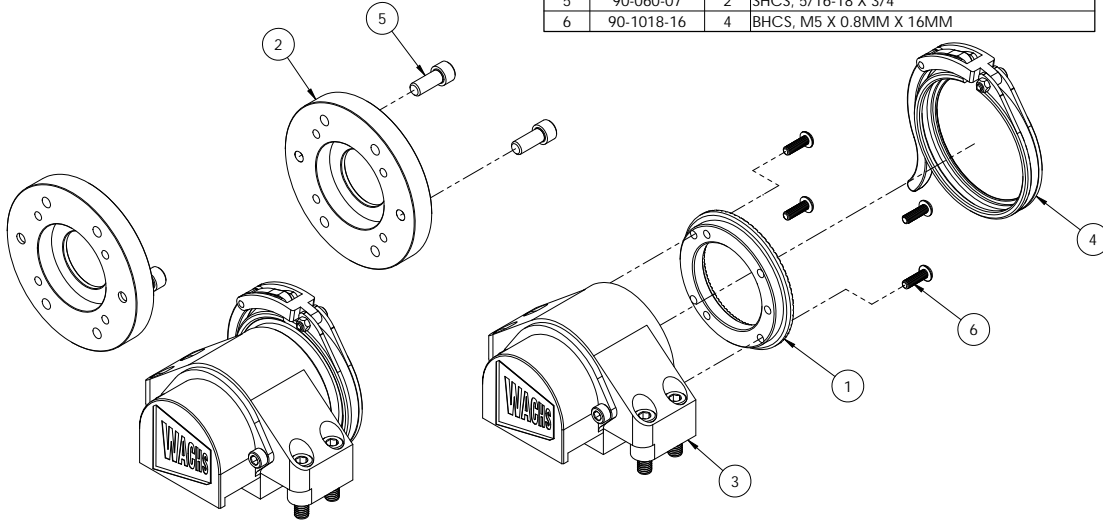
ITEM	PART NUMBER	QTY	DESCRIPTION
1	69-0179-00	1	HOUSING, FRONT DRIVE
2	69-0180-00	1	GEAR, IDLER-FRONT DRIVE
3	69-0181-00	1	GEAR, PINION-FRONT DRIVE
4	69-0182-00	1	SHAFT, IDLER GEAR-FRONT DRIVE
5	69-0183-00	1	RETAINER, BEARING-FRONT DRIVE
6	69-0184-00	1	COVER, FRONT DRIVE
7	69-0188-00	4	SHCS, M8 X 1.25MM X 30MM CAPTIVATED
8	69-8036-00	1	BEARING, 40MM IS X 80MM OD X 30.2MM WIDE, CLEARANCE C2
9	69-8047-00	1	RING, RETAINING-EXTERNAL
10	69-8048-00	2	BEARING, 25MM X 52MM X 15MM
11	69-8049-00	1	RING, RETAINING-INTERNAL
12	69-8050-00	1	RING, RETAINING-EXTERNAL
13	90-1004-45	6	SHCS, M6 X 1MM X 45MM
14	90-1033-40	2	PIN, 8MM X 40MM DOWEL
15	90-1037-20	2	PIN, 5MM X 20MM DOWEL

Rev A



## Legacy Pinion Assembly, 69-4480-01

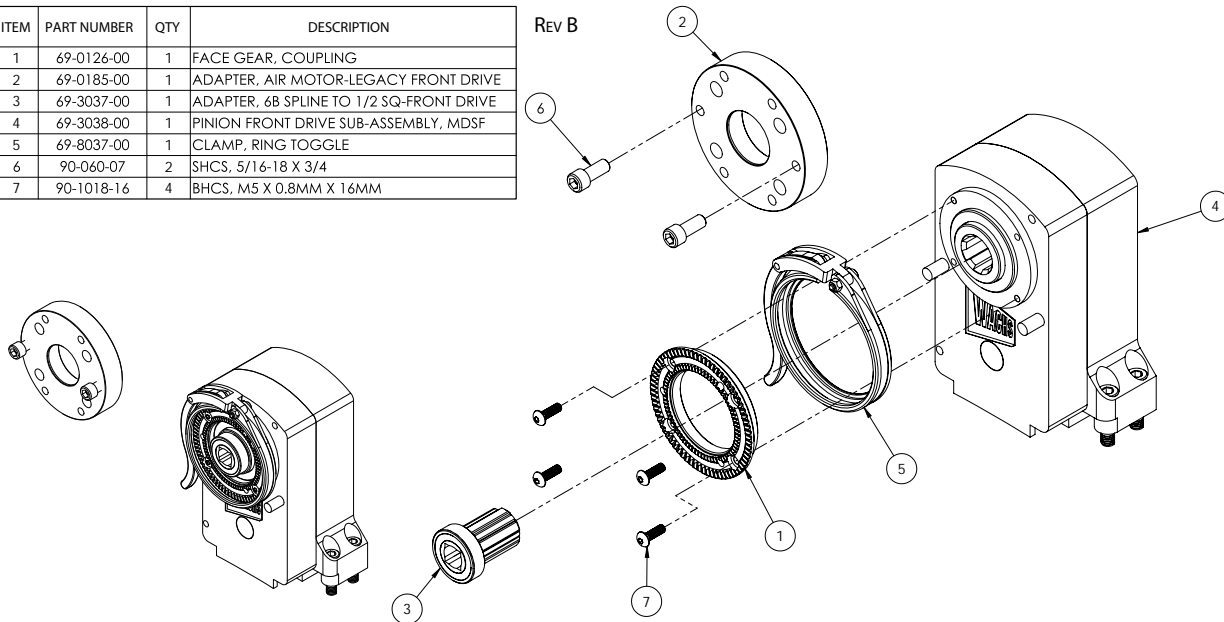
Rev B	ITEM	PART NUMBER	QTY	DESCRIPTION
	1	69-0126-00	1	FACE GEAR, COUPLING
	2	69-0131-01	1	ADAPTER, LEGACY AIR MOTOR
	3	69-3025-01	1	PINION ASSEMBLY, 17 TOOTH, 1/2" SQ. DRIVE
	4	69-8037-00	1	CLAMP, RING TOGGLE
	5	90-060-07	2	SHCS, 5/16-18 X 3/4
	6	90-1018-16	4	BHCS, M5 X 0.8MM X 16MM



## Front Drive Legacy Pinion Assembly, 69-4481-00

ITEM	PART NUMBER	QTY	DESCRIPTION
1	69-0126-00	1	FACE GEAR, COUPLING
2	69-0185-00	1	ADAPTER, AIR MOTOR-LEGACY FRONT DRIVE
3	69-3037-00	1	ADAPTER, 6B SPLINE TO 1/2 SQ-FRONT DRIVE
4	69-3038-00	1	PINION FRONT DRIVE SUB-ASSEMBLY, MDSF
5	69-8037-00	1	CLAMP, RING TOGGLE
6	90-060-07	2	SHCS, 5/16-18 X 3/4
7	90-1018-16	4	BHCS, M5 X 0.8MM X 16MM

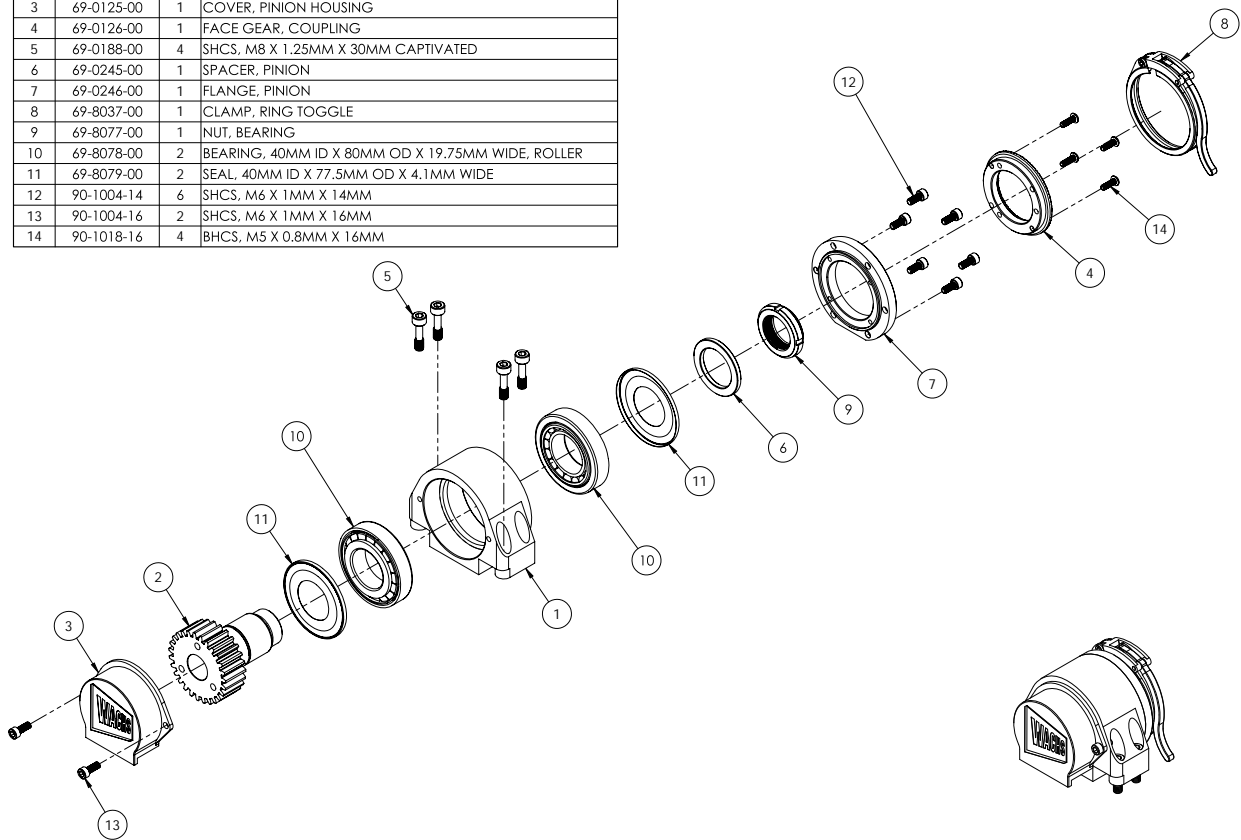
Rev B



# Standard Pinion Assembly, 69-4482-01

ITEM	PART NUMBER	QTY	DESCRIPTION
1	69-0123-01	1	HOUSING, PINION
2	69-0124-01	1	GEAR, PINION
3	69-0125-00	1	COVER, PINION HOUSING
4	69-0126-00	1	FACE GEAR, COUPLING
5	69-0188-00	4	SHCS, M8 X 1.25MM X 30MM CAPTIVATED
6	69-0245-00	1	SPACER, PINION
7	69-0246-00	1	FLANGE, PINION
8	69-8037-00	1	CLAMP, RING TOGGLE
9	69-8077-00	1	NUT, BEARING
10	69-8078-00	2	BEARING, 40MM ID X 80MM OD X 19.75MM WIDE, ROLLER
11	69-8079-00	2	SEAL, 40MM ID X 77.5MM OD X 4.1MM WIDE
12	90-1004-14	6	SHCS, M6 X 1MM X 14MM
13	90-1004-16	2	SHCS, M6 X 1MM X 16MM
14	90-1018-16	4	BHCS, M5 X 0.8MM X 16MM

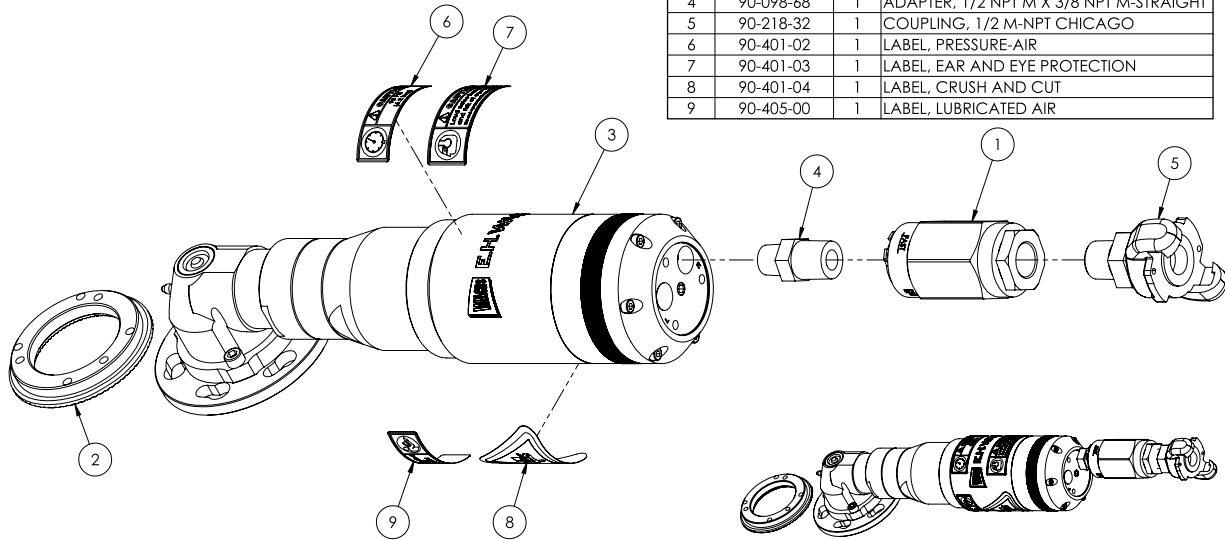
Rev A



**Motor, 3 HP Air, 69-4351-00**

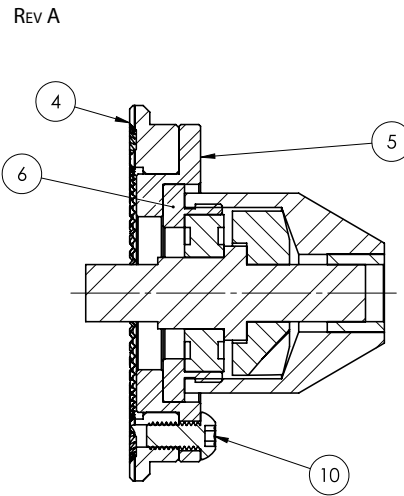
REV C

ITEM	PART NUMBER	QTY	DESCRIPTION
1	66-100-00	1	VALVE, FLOW CONTROL
2	69-0126-00	1	FACE GEAR, COUPLING
3	69-0142-00	1	MODEC AIR MOTOR-MR25RT0133QCA1F
4	90-098-68	1	ADAPTER, 1/2 NPT M X 3/8 NPT M-STRAIGHT
5	90-218-32	1	COUPLING, 1/2 M-NPT CHICAGO
6	90-401-02	1	LABEL, PRESSURE-AIR
7	90-401-03	1	LABEL, EAR AND EYE PROTECTION
8	90-401-04	1	LABEL, CRUSH AND CUT
9	90-405-00	1	LABEL, LUBRICATED AIR

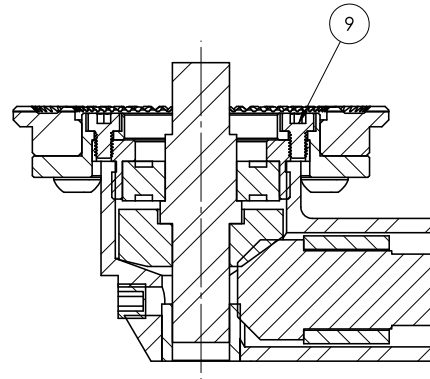
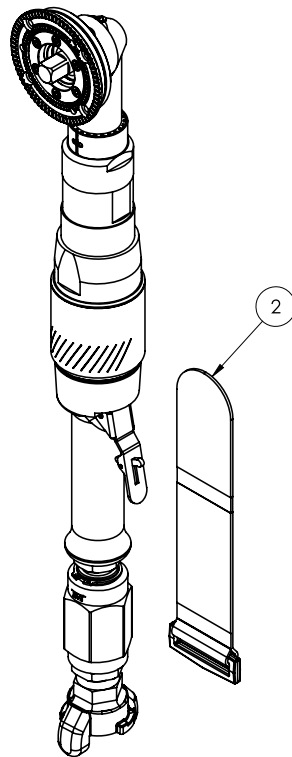


### Motor, 1.5 HP Air, Right Angle with Handle (CE), 69-4352-00

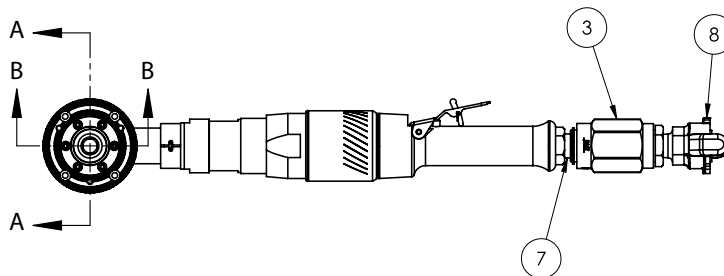
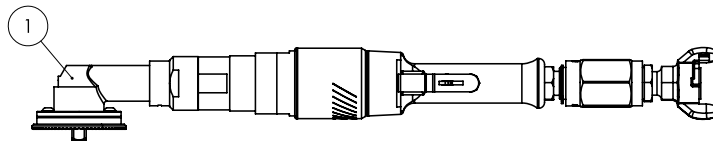
ITEM	PART NUMBER	QTY	DESCRIPTION
1	60-211-00	1	CLECO AIR MOTOR (55NL-3T-960)
2	60-1311-00	1	STRAP, 9" VELCRO CINCH
3	66-100-00	1	VALVE, FLOW CONTROL
4	69-0126-00	1	FACE GEAR, COUPLING
5	69-0237-00	1	ADAPTER, 1.5 HP CLECO AIR MOTOR
6	69-0238-00	1	FLANGE, 1.5 HP CLECO AIR MOTOR
7	90-098-01	1	NIPPLE, 1/2 X CLOSE
8	90-218-32	1	COUPLING, 1/2 M-NPT CHICAGO
9	90-1023-06	6	SHCS, M4 X 0.7MM X 6MM
10	90-1040-12	3	BHCS, M6 X 1.0MM X 12MM



SECTION A-A



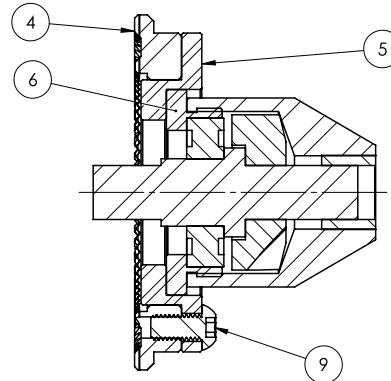
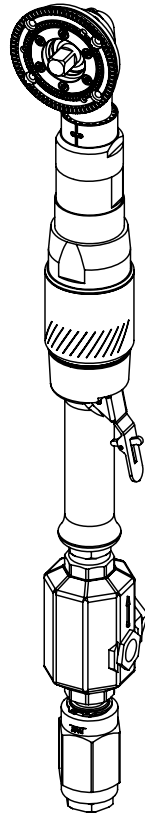
SECTION B-B



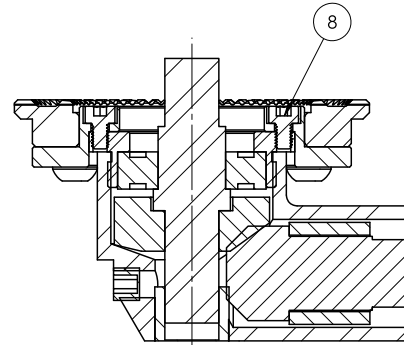
**Motor, 1.5 HP Air, Right Angle with Handle, 69-4354-00**

ITEM	PART NUMBER	QTY	DESCRIPTION
1	05-082-00	1	OILER, AIR LINE
2	60-211-00	1	CLECO AIR MOTOR (55NL-3T-960)
3	66-100-00	1	VALVE, FLOW CONTROL
4	69-0126-00	1	FACE GEAR, COUPLING
5	69-0237-00	1	ADAPTER, 1.5 HP CLECO AIR MOTOR
6	69-0238-00	1	FLANGE, 1.5 HP CLECO AIR MOTOR
7	90-098-01	2	NIPPLE, 1/2 X CLOSE
8	90-1023-06	6	SHCS, M4 X 0.7MM X 6MM
9	90-1040-12	3	BHCS, M6 X 1.0MM X 12MM

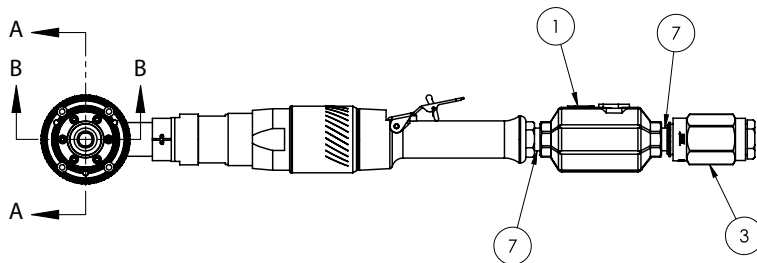
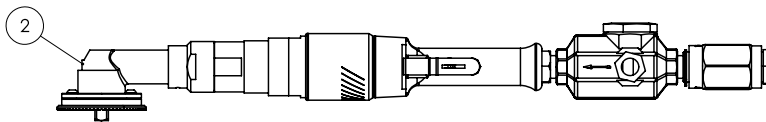
REV A



SECTION A-A



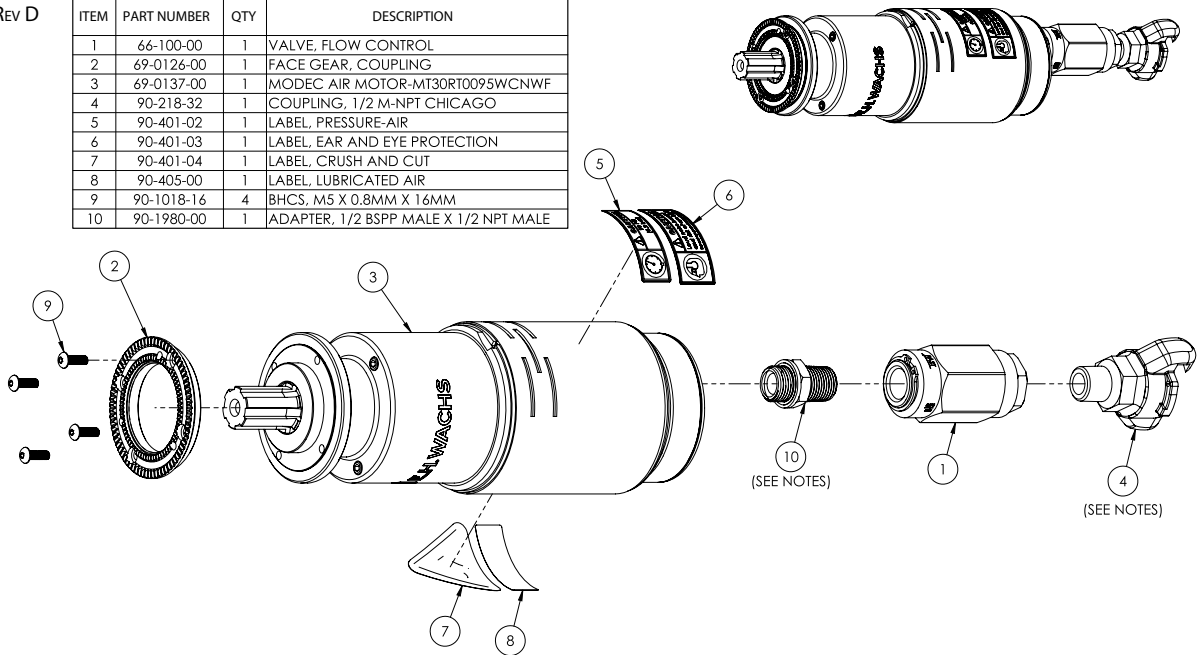
SECTION B-B



### Motor, 4 HP Air, 69-4355-00

REV D

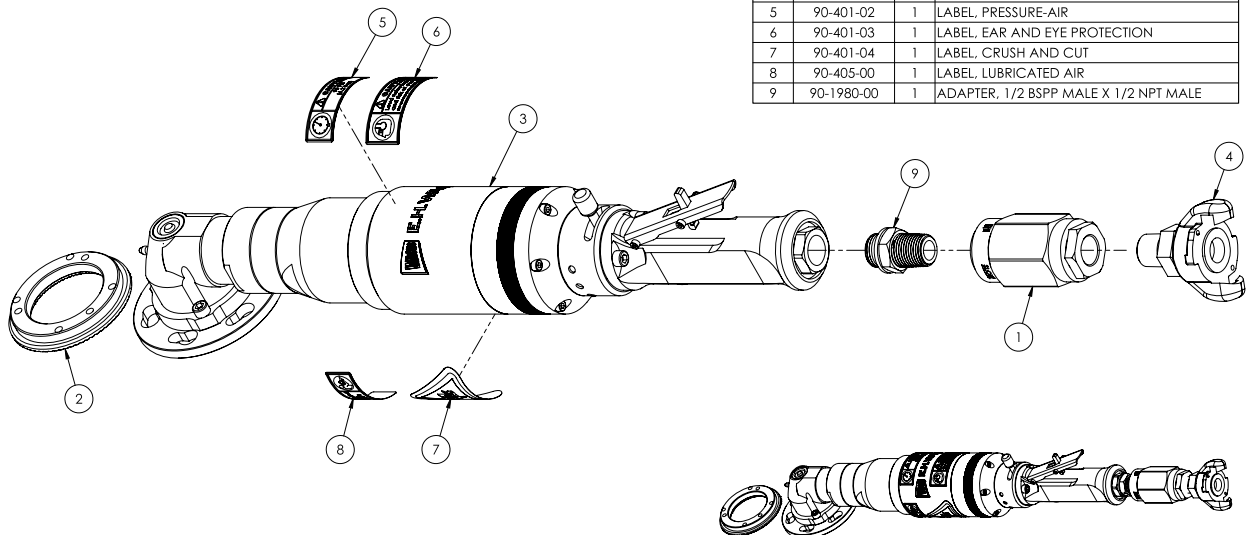
ITEM	PART NUMBER	QTY	DESCRIPTION
1	66-100-00	1	VALVE, FLOW CONTROL
2	69-0126-00	1	FACE GEAR, COUPLING
3	69-0137-00	1	MODEC AIR MOTOR-MT30RT0095WCNWF
4	90-218-32	1	COUPLING, 1/2 M-NPT CHICAGO
5	90-401-02	1	LABEL, PRESSURE-AIR
6	90-401-03	1	LABEL, EAR AND EYE PROTECTION
7	90-401-04	1	LABEL, CRUSH AND CUT
8	90-405-00	1	LABEL, LUBRICATED AIR
9	90-1018-16	4	BHCS, M5 X 0.8MM X 16MM
10	90-1980-00	1	ADAPTER, 1/2 BSPP MALE X 1/2 NPT MALE



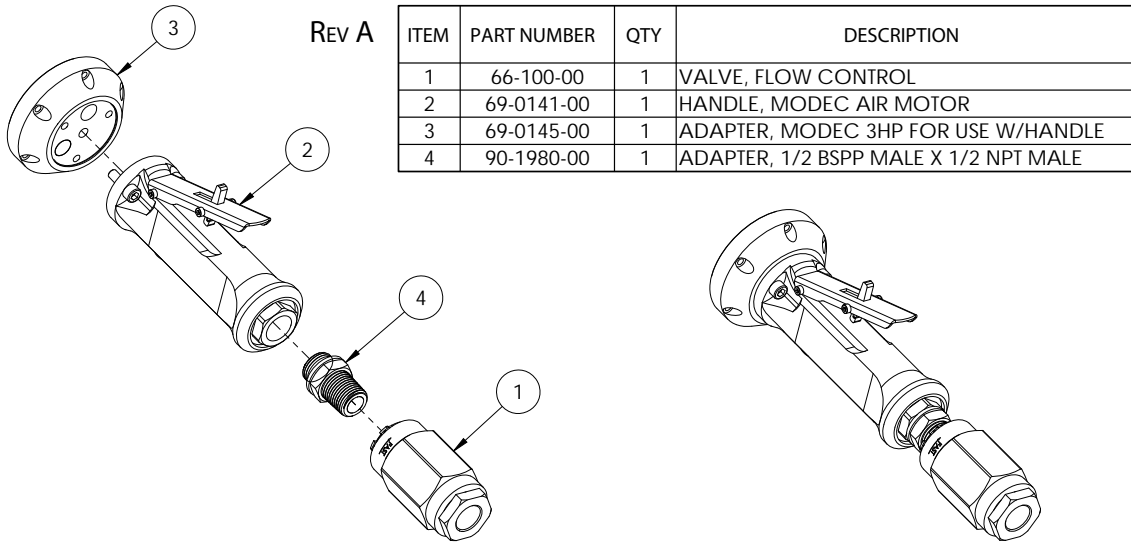
### Motor, 3 HP Air with Handle, 69-4353-01

REV A

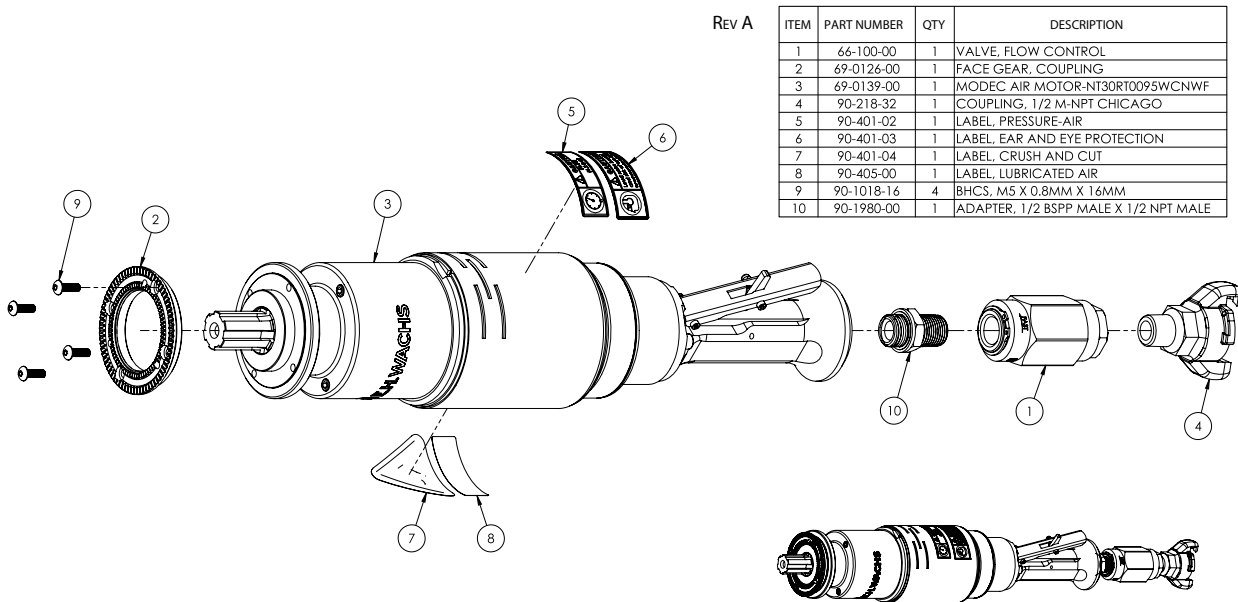
ITEM	PART NUMBER	QTY	DESCRIPTION
1	66-100-00	1	VALVE, FLOW CONTROL
2	69-0126-00	1	FACE GEAR, COUPLING
3	69-0260-00	1	MODEC AIR MOTOR, NR25RV0122QCA1F-W
4	90-218-32	1	COUPLING, 1/2 M-NPT CHICAGO
5	90-401-02	1	LABEL, PRESSURE-AIR
6	90-401-03	1	LABEL, EAR AND EYE PROTECTION
7	90-401-04	1	LABEL, CRUSH AND CUT
8	90-405-00	1	LABEL, LUBRICATED AIR
9	90-1980-00	1	ADAPTER, 1/2 BSPP MALE X 1/2 NPT MALE



### 3 HP Air Motor Handle Assembly, 69-3030-00



### Motor, 4 HP Air with Handle, 69-4356-00

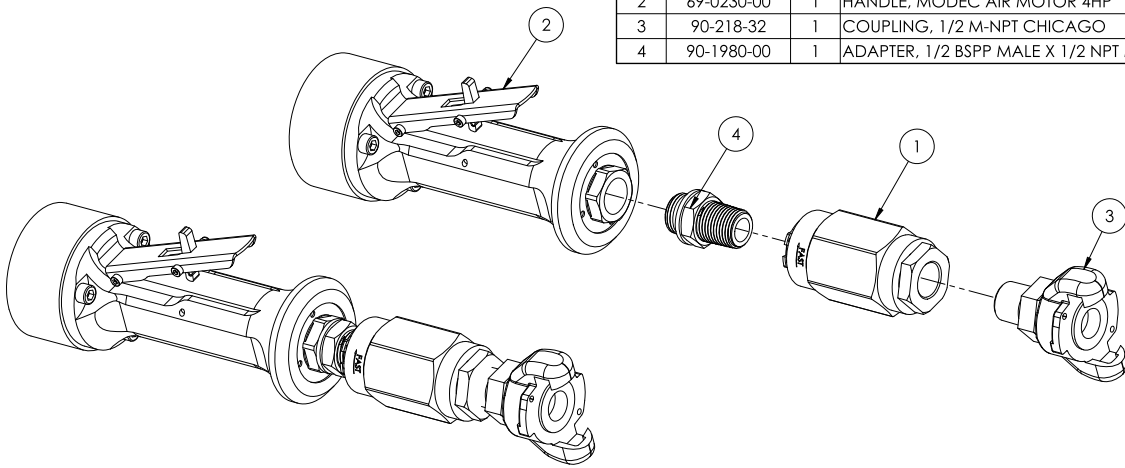




### 4 HP Air Motor Handle Assembly, 69-3028-00

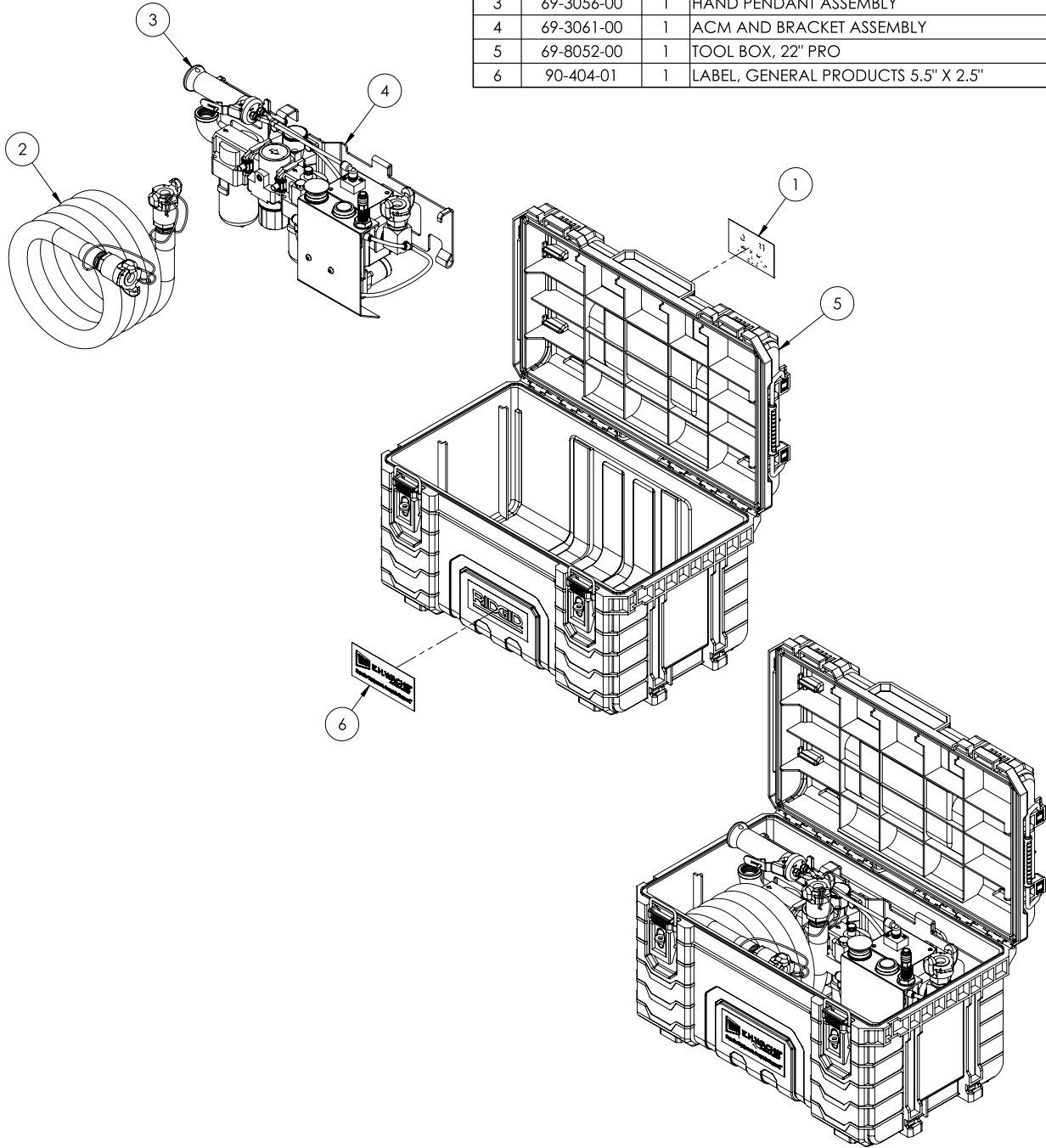
REV A

ITEM	PART NUMBER	QTY	DESCRIPTION
1	66-100-00	1	VALVE, FLOW CONTROL
2	69-0230-00	1	HANDLE, MODEC AIR MOTOR 4HP
3	90-218-32	1	COUPLING, 1/2 M-NPT CHICAGO
4	90-1980-00	1	ADAPTER, 1/2 BSPP MALE X 1/2 NPT MALE



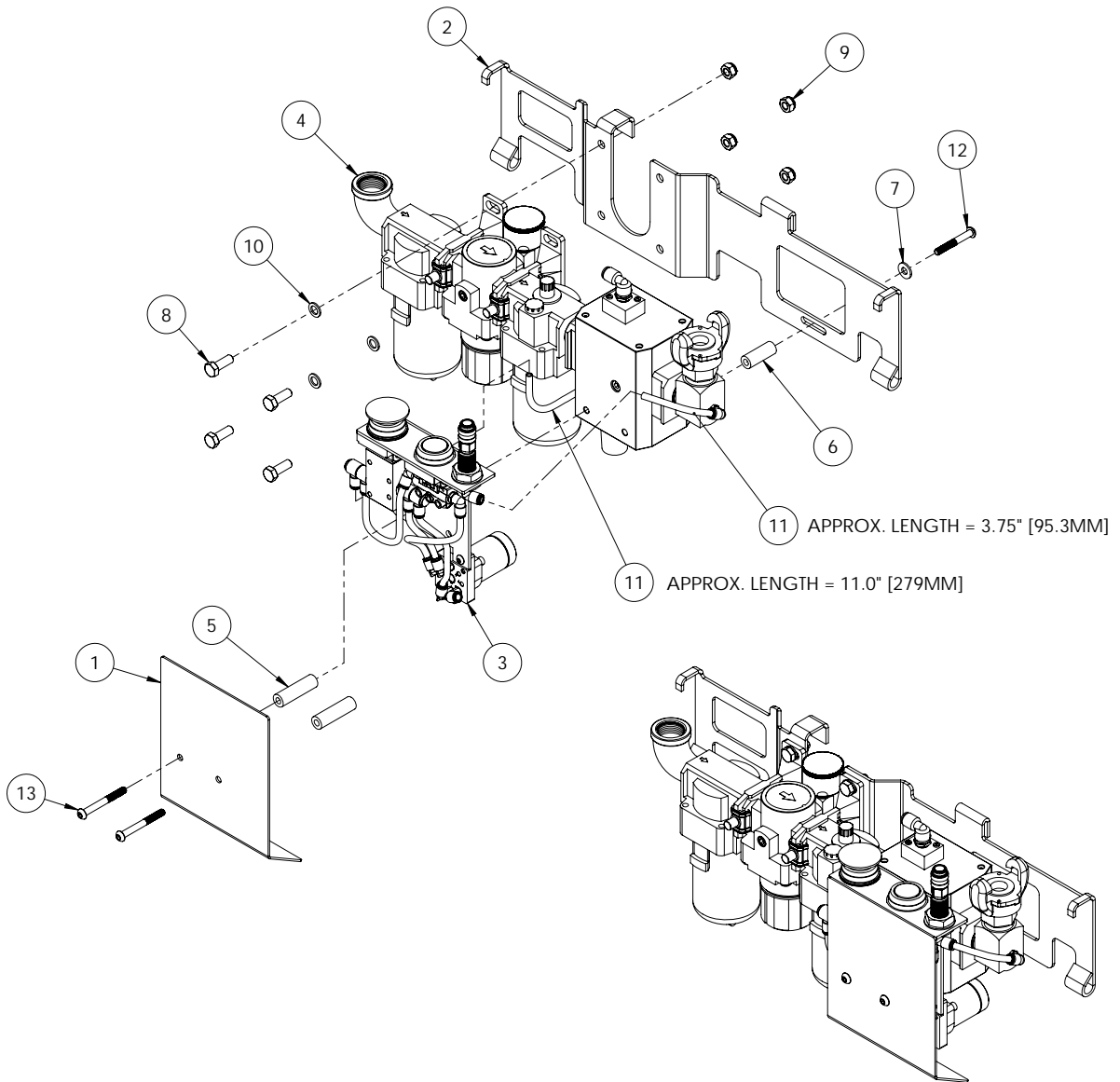
**Remote Air Control Module, 69-4101-00**

ITEM	PART NUMBER	QTY	DESCRIPTION
1	69-0213-00	1	LABEL, ACM
2	69-3043-00	1	3/4" HOSE AND COUPLING ASSEMBLY, ATM
3	69-3056-00	1	HAND PENDANT ASSEMBLY
4	69-3061-00	1	ACM AND BRACKET ASSEMBLY
5	69-8052-00	1	TOOL BOX, 22" PRO
6	90-404-01	1	LABEL, GENERAL PRODUCTS 5.5" X 2.5"

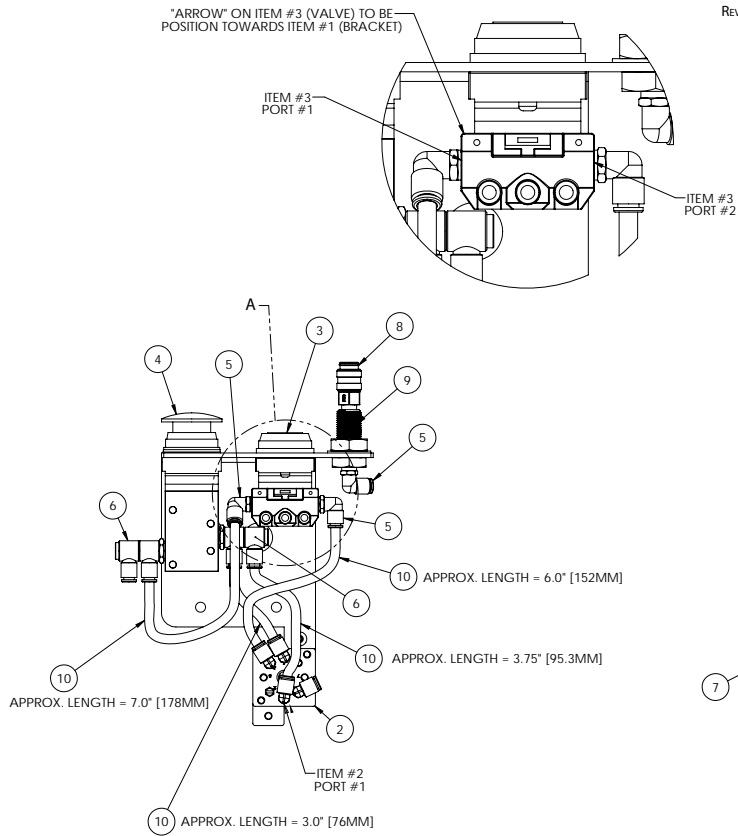


# ACM and Bracket Assembly, 69-3061-00

ITEM	PART NUMBER	QTY	DESCRIPTION	REV A
1	69-0216-00	1	GUARD	
2	69-0220-00	1	MOUNTING PLATE, FRL/ACM	
3	69-3059-00	1	START/STOP MTG. PLATE ASSEMBLY	
4	69-3060-00	1	FRL AND AIR PILOT ASSEMBLY	
5	69-8067-00	2	SPACER, M6 SCREW SIZE X 45MM LG.	
6	69-8069-00	1	SPACER, 1/4 SCREW SIZE X 1-5/16 LG.	
7	90-055-53	1	WASHER, 1/4 FLAT	
8	90-061-08	4	HHCS, 5/16-18 X 7/8	
9	90-065-03	4	NUT, 5/16-18 NYLOCK	
10	90-065-53	4	WASHER, 5/16 AN	
11	90-902-04	A/R	TUBING, 6MM OD X 4MM ID POLYURETHANE	
12	90-1040-45	1	BHCS, M6 X 1.0MM X 45MM	
13	90-1040-55	2	BHCS, M6 X 1.0MM X 55MM	

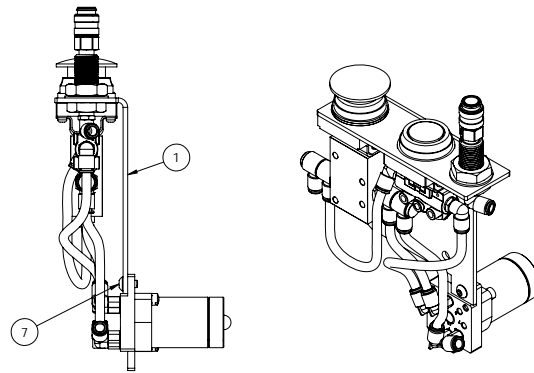


## Start/Stop Mounting Plate Assembly, 69-3059-00

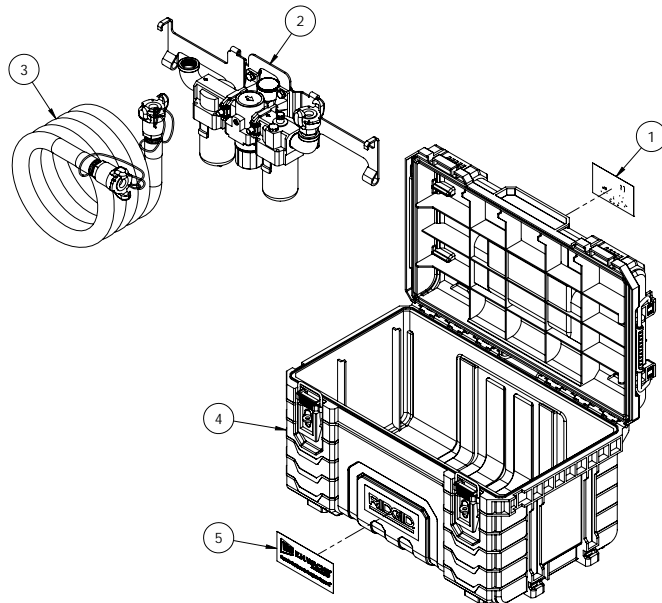


Rev B

ITEM	PART NUMBER	QTY	DESCRIPTION
1	69-0214-00	1	MOUNTING PLATE, E-STOP
2	69-3058-00	1	RESET VALVE ASSEMBLY
3	69-8064-00	1	VALVE, MECHANICAL
4	69-8065-00	1	POPPET VALVE, MECHANICAL
5	90-038-08	3	FITTING, MALE ELBOW 6MM, 1/8RPT
6	90-038-10	2	FITTING, DOUBLE UNIVERSAL MALE ELBOW
7	90-042-04	1	BHCS, 10-32 X 3/8
8	90-078-24	1	OD COUPLING, 1/8" (F) X 1/8" NPT (M)
9	90-078-30	1	COUPLING, THROUGH WALL-BRASS
10	90-902-04	A/R	TUBING, 6MM OD X 4MM ID POLYURETHANE

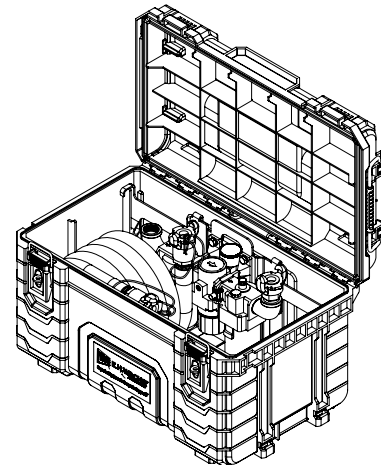


## Air Treatment Module, 69-4102-00



Rev A

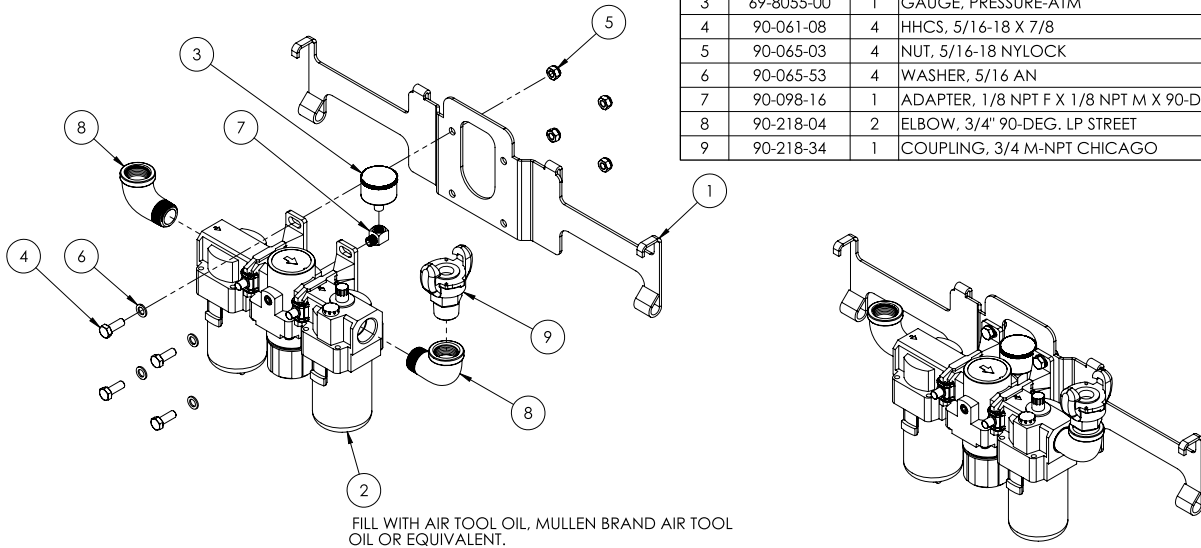
ITEM	PART NUMBER	QTY	DESCRIPTION
1	69-0192-00	1	LABEL, ATM
2	69-3042-00	1	FRL AND BRACKET ASSEMBLY
3	69-3043-00	1	3/4" HOSE AND COUPLING ASSEMBLY, ATM
4	69-8052-00	1	TOOL BOX, 22" PRO
5	90-404-01	1	LABEL, GENERAL PRODUCTS 5.5" X 2.5"



# FRL and Bracket Assembly, 69-3042-00

REV A

ITEM	PART NUMBER	QTY	DESCRIPTION
1	69-0195-00	1	MOUNTING PLATE, FRL
2	69-8054-00	1	F.R.L. UNIT
3	69-8055-00	1	GAUGE, PRESSURE-ATM
4	90-061-08	4	HHCS, 5/16-18 X 7/8
5	90-065-03	4	NUT, 5/16-18 NYLOCK
6	90-065-53	4	WASHER, 5/16 AN
7	90-098-16	1	ADAPTER, 1/8 NPT F X 1/8 NPT M X 90-DEG.
8	90-218-04	2	ELBOW, 3/4" 90-DEG. LP STREET
9	90-218-34	1	COUPLING, 3/4 M-NPT CHICAGO



FILL WITH AIR TOOL OIL, MULLEN BRAND AIR TOOL OIL OR EQUIVALENT.

# Hydraulic Drive Assembly, 69-4358-00

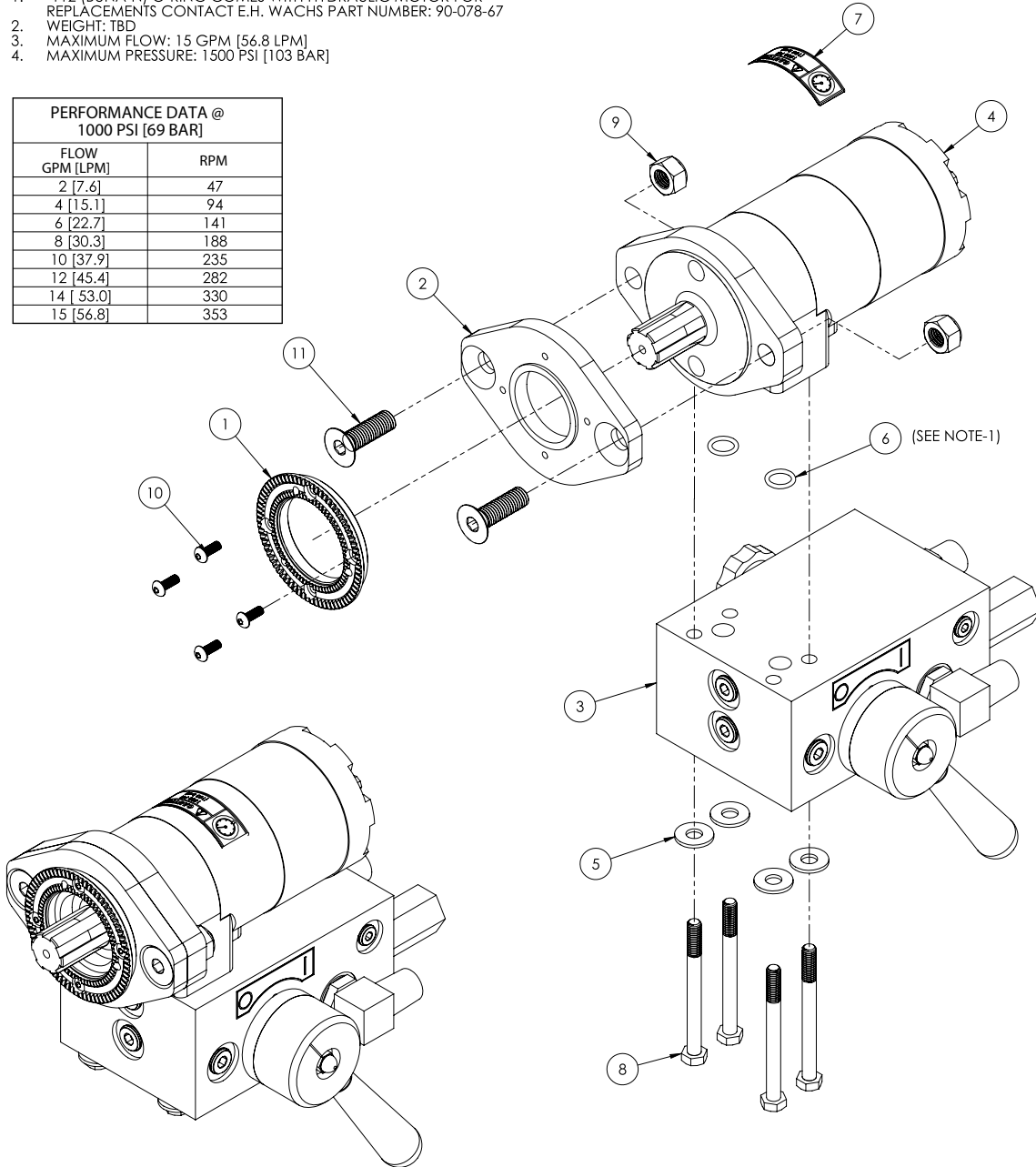
ITEM	PART NUMBER	QTY	DESCRIPTION
1	69-0126-00	1	FACE GEAR, COUPLING
2	69-0135-00	1	PLATE, ADAPTOR
3	69-3026-00	1	HYDRAULIC MANIFOLD SUB-ASSEMBLY
4	69-8038-00	1	HYDRAULIC MOTOR
5	90-065-52	4	WASHER, 5/16 FLAT
6	90-078-67	2	O-RING -112
7	90-402-02	1	LABEL, PRESSURE-HYD. 1500 PSI
8	90-1002-90	4	HHCS, M8 X 1.25MM X 90MM
9	90-1013-02	2	NUT, M12 NYLOCK
10	90-1018-14	4	BHCS, M5 X 0.8MM X 14MM
11	90-1029-40	2	FHCS, M12 X 1.75MM X 40MM

Rev B

**NOTES:**

1. -112 (BUNA-N) O-RING COMES WITH HYDRAULIC MOTOR FOR REPLACEMENTS CONTACT E.H. WACHS PART NUMBER: 90-078-67
2. WEIGHT: TBD
3. MAXIMUM FLOW: 15 GPM [56.8 LPM]
4. MAXIMUM PRESSURE: 1500 PSI [103 BAR]

PERFORMANCE DATA @ 1000 PSI [69 BAR]	
FLOW GPM [LPM]	RPM
2 [7.6]	47
4 [15.1]	94
6 [22.7]	141
8 [30.3]	188
10 [37.9]	235
12 [45.4]	282
14 [53.0]	330
15 [56.8]	353



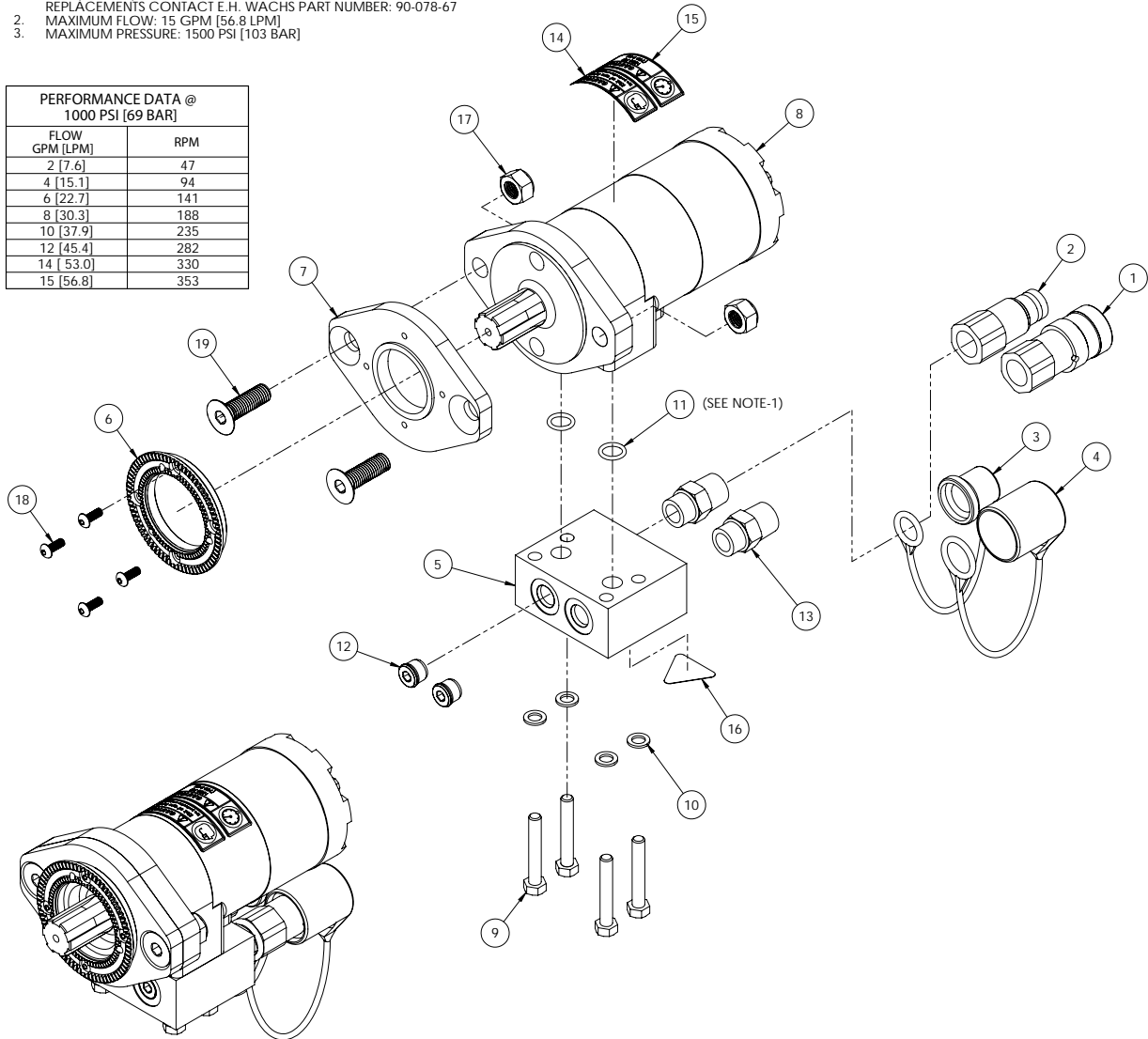
# Hydraulic Drive Assembly, Remote, 69-4358-01

ITEM	PART NUMBER	QTY	DESCRIPTION
1	09-025-00	1	QUICK DISCONNECT, FEMALE
2	09-026-00	1	QUICK DISCONNECT-MALE
3	09-027-00	1	DUST CAP, MALE QUICK-DISCONNECT
4	09-028-00	1	DUST CAP, FEMALE QUICK-DISCONNECT
5	60-199-02	1	MANIFOLD
6	69-0126-00	1	FACE GEAR, COUPLING
7	69-0135-00	1	PLATE, ADAPTOR
8	69-8038-00	1	HYDRAULIC MOTOR
9	90-061-20	4	HHCS 5/16-18 X 2
10	90-065-53	4	WASHER, 5/16 AN
11	90-078-67	2	O-RING -112
12	90-088-86	2	PLUG, -.06 ZERO-LEAK ORB
13	90-098-79	2	ADAPTER, 1/2 NPT M X 1/2 ORB M - STRAIGHT
14	90-401-01	1	LABEL, EYE PROTECTION
15	90-402-02	1	LABEL, PRESSURE-HYD. 1500 PSI
16	90-403-02	1	LABEL, BURN HAZARD/HOT SURFACE
17	90-1013-02	2	NUT, M12 NYLOCK
18	90-1018-14	4	BHCS, M5 X 0.8MM X 14MM
19	90-1029-40	2	FHCS, M12 X 1.75MM X 40MM

**NOTES:**

1. -112 (BUNA-N) O-RING COMES WITH HYDRAULIC MOTOR FOR REPLACEMENTS CONTACT E.H. WACHS PART NUMBER: 90-078-67
2. MAXIMUM FLOW: 15 GPM [56.8 LPM]
3. MAXIMUM PRESSURE: 1500 PSI [103 BAR]

FLOW GPM [LPM]	RPM
2 [7.6]	47
4 [15.1]	94
6 [22.7]	141
8 [30.3]	188
10 [37.9]	235
12 [45.4]	282
14 [53.0]	330
15 [56.8]	353

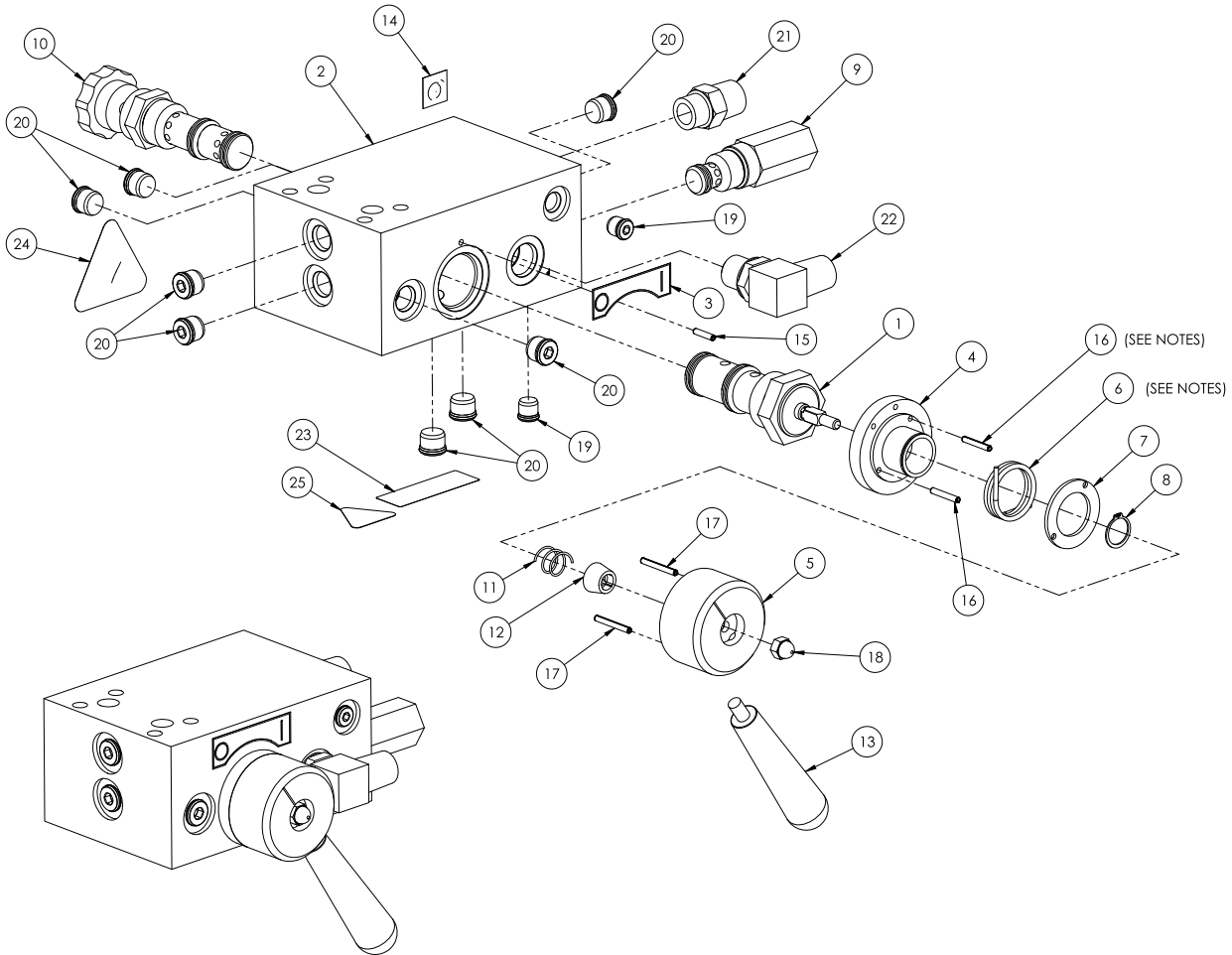


# Hydraulic Manifold Sub-Assembly, 69-3026-00

ITEM	PART NUMBER	QTY	DESCRIPTION
1	60-198-00	1	VALVE, MRV DIRECTIONAL CONTROL
2	60-199-00	1	MANIFOLD, SDB HYDRAULIC
3	60-1186-00	1	LCSF FLOW DIRECTION LABEL
4	76-072-00	1	PLATE, MRV ANTI-ROTATION
5	76-073-00	1	CAP, MRV OPERATOR
6	76-074-00	1	SPRING, TORSION
7	76-075-00	1	PLATE, SPRING COVER
8	76-175-00	1	RETAINING RING, 43/64
9	76-176-00	1	VALVE, PRESSURE RELIEF
10	76-177-00	1	VALVE, PRESSURE COMPENSATED FLOW CONTROL
11	76-181-00	1	DETENT SPRING
12	76-182-00	1	SPACER
13	76-183-00	1	HANDLE, 5/16"-18
14	76-185-00	1	FLOW CONTROL LABEL
15	90-026-56	1	PIN, 1/8 X 5/8 ROLL
16	90-026-58	2	PIN, 1/8 X 7/8 ROLL
17	90-026-61	2	PIN, 1/8 X 1.125 ROLL
18	90-055-18	1	NUT, 1/4-20 ACORN
19	90-088-84	2	PLUG, -04 ZERO-LEAK ORB
20	90-088-86	8	PLUG, -06 ZERO-LEAK ORB
21	90-098-79	1	ADAPTER, 1/2 NPT M X 1/2 ORB M - STRAIGHT
22	90-098-89	1	ELBOW, 1/2 ORB M X 1/2 NPT M - 90
23	90-401-01	1	LABEL, EYE PROTECTION
24	90-401-04	1	LABEL, CRUSH AND CUT
25	90-403-02	1	LABEL, BURN HAZARD/HOT SURFACE

Rev B

NOTES:  
 1. SPRING ITEM #6 NEEDS TO BE COMPRESSED BETWEEN PINS ITEM #16.

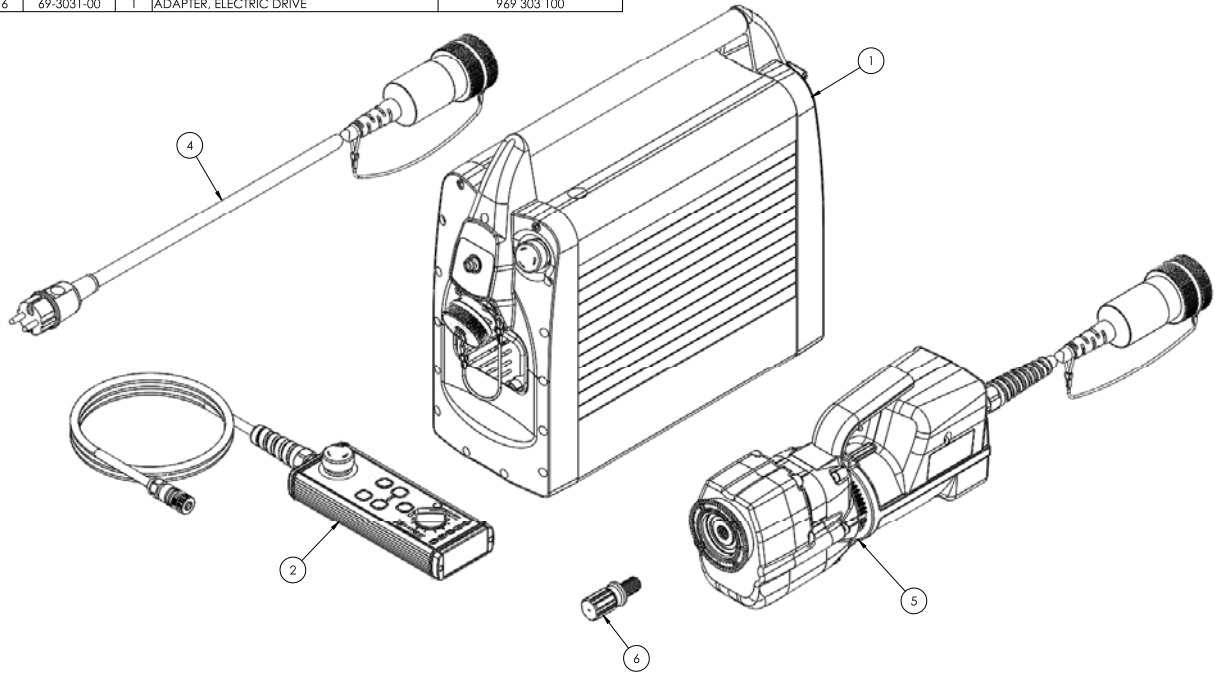




### Electric Power Drive (230 V, 1 Phase), 69-4357-01

ITEM	PART NUMBER	QTY	DESCRIPTION	ORBITALUM PART NUMBER
1	60-1334-00	1	POWER BOX, EPD	900 007 201
2	60-1336-00	1	REMOTE CONTROL, EPD	900 007 301
3	60-1341-00	1	CASE, STORAGE W/INSERT - EPD (NOT SHOWN)	900 007 107
4	60-1343-00	1	CABLE, 220V	900 007 102
5	69-0153-16	1	MOTOR, EPM8-160 MDSF	969 015 316
6	69-3031-00	1	ADAPTER, ELECTRIC DRIVE	969 303 100

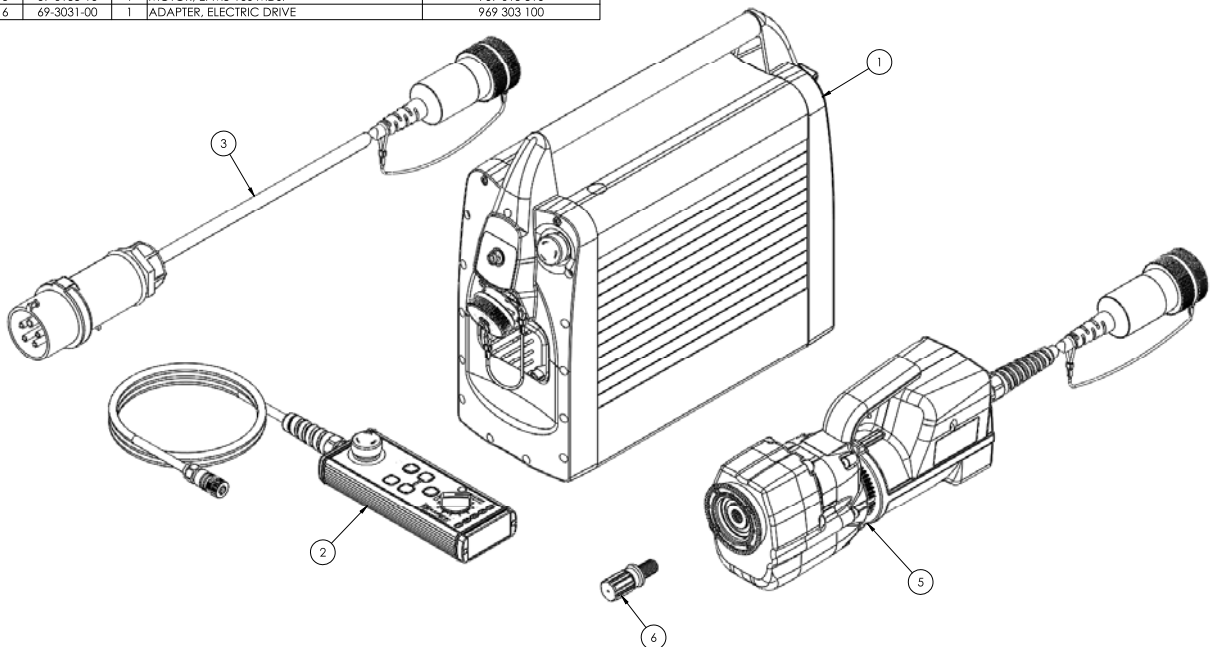
Rev A



### Electric Power Drive (220-480 V, 3 Phase), 69-4357-03

ITEM	PART NUMBER	QTY	DESCRIPTION	ORBITALUM PART NUMBER
1	60-1334-00	1	POWER BOX, EPD	900 007 201
2	60-1336-00	1	REMOTE CONTROL, EPD	900 007 301
3	60-1338-00	1	CABLE, 380 - 480V	900 007 102
4	60-1341-00	1	CASE, STORAGE W/INSERT - EPD (NOT SHOWN)	900 007 107
5	69-0153-16	1	MOTOR, EPM8-160 MDSF	969 015 316
6	69-3031-00	1	ADAPTER, ELECTRIC DRIVE	969 303 100

Rev A





## Chapter 5

# Tool Slides and Trips

### STANDARD SLIDES

Standard DynaPrep slides are available in six combinations, with three stroke lengths and two feed rates. The following tables list the assemblies used for each slide. The drawing on the following page illustrates the slide assembly, with part number references to the tables.

For service, assemblies are replaced as modules.

**Table 1: Standard Slide Assemblies**

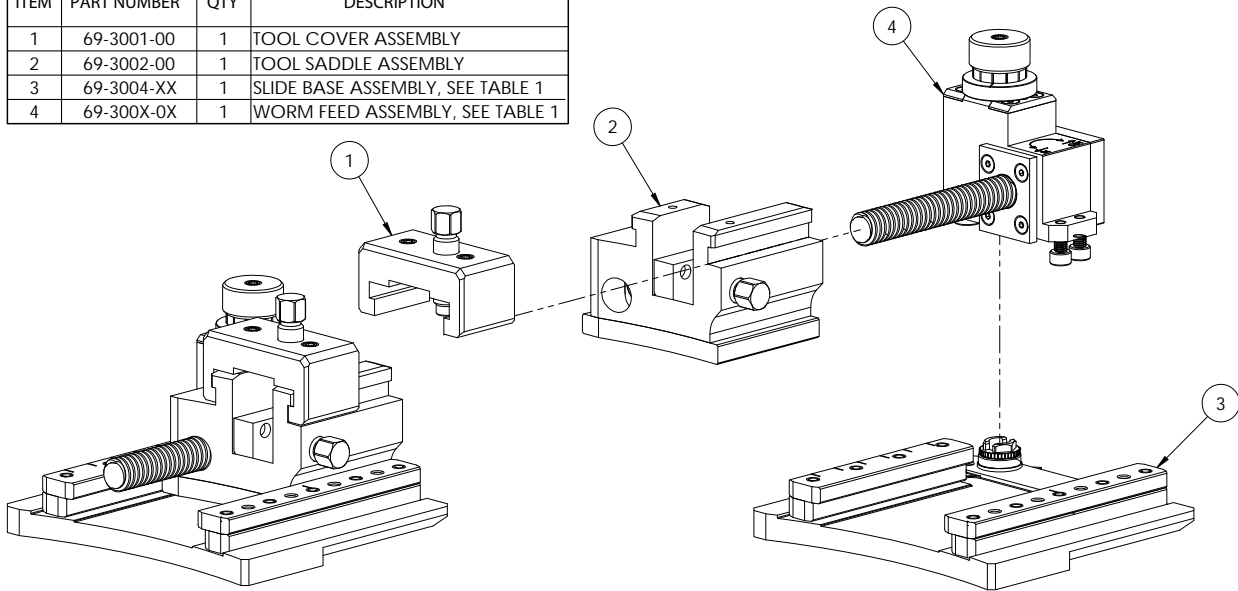
Slide		Worm Feed Assembly	Slide Base Assembly
69-4615-03	0.003" feed, 1.5" stroke	69-3003-03	69-3004-15
69-4615-06	0.006" feed, 1.5" stroke	69-3003-06	
69-4625-03	0.003" feed, 2.5" stroke	69-3005-03	69-3004-25
69-4625-06	0.006" feed, 2.5" stroke	69-3005-06	
69-4655-03	0.003" feed, 5.5" stroke	69-3006-03	69-3004-55
69-4655-06	0.006" feed, 5.5" stroke	69-3006-06	

**Table 2: Worm Feed Assemblies**

Worm Feed Assembly	Trip Housing	Cartridge Assembly	Screw Cartridge
69-3003-03	69-0009-00	69-3007-03	69-3008-03
69-3003-06	69-0030-00	69-3007-06	69-3008-06
69-3005-03	69-0009-00	69-3007-03	69-3010-03
69-3005-06	69-0030-00	69-3007-06	69-3010-06
69-3006-03	69-0009-00	69-3007-03	69-3011-03
69-3006-06	69-0030-00	69-3007-06	69-3011-06

## Slide Assembly

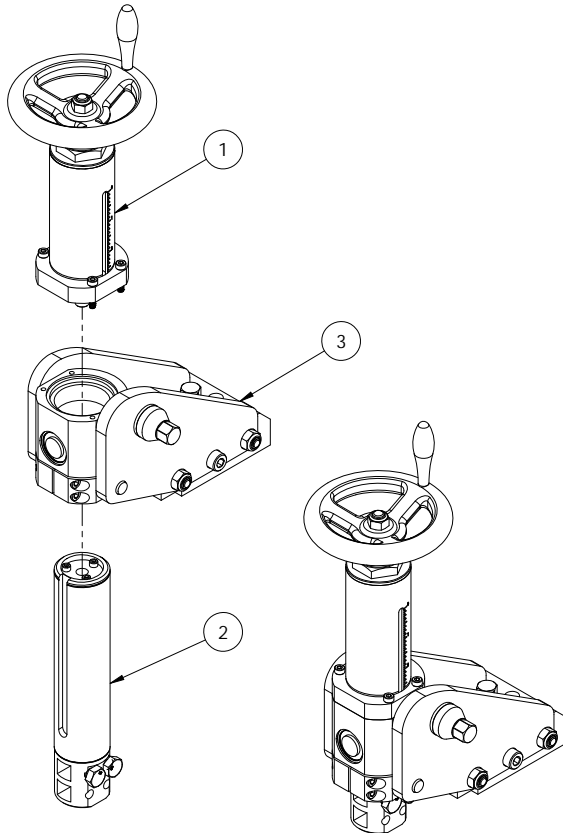
ITEM	PART NUMBER	QTY	DESCRIPTION
1	69-3001-00	1	TOOL COVER ASSEMBLY
2	69-3002-00	1	TOOL SADDLE ASSEMBLY
3	69-3004-XX	1	SLIDE BASE ASSEMBLY, SEE TABLE 1
4	69-300X-0X	1	WORM FEED ASSEMBLY, SEE TABLE 1



## COUNTERBORE SLIDES

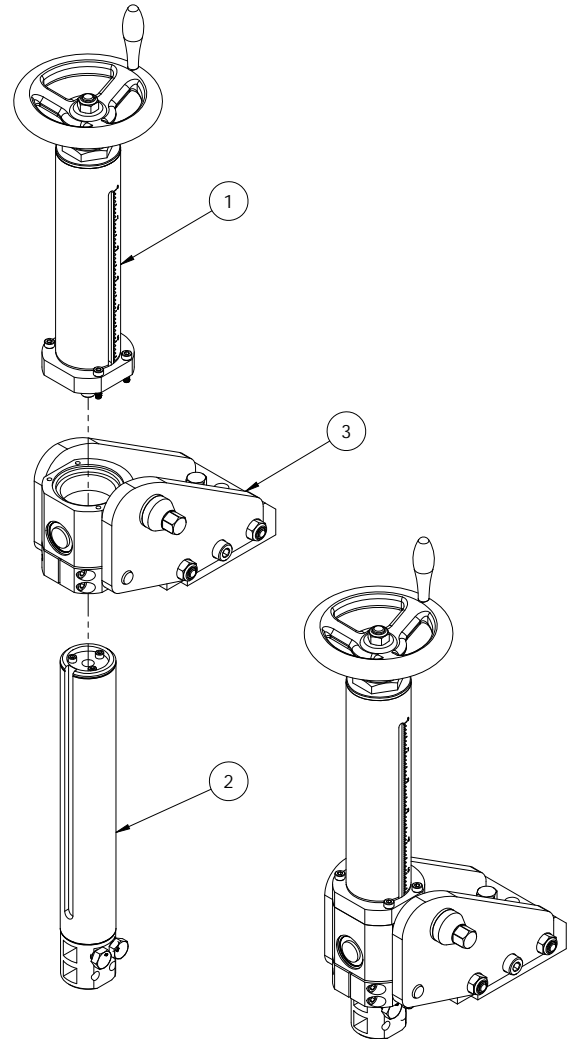
### 3" Counterbore Slide, 69-4605-00

ITEM	PART NUMBER	QTY	DESCRIPTION
1	69-3022-03	1	C'BORE HOUSING ASSEMBLY, 3"
2	69-3023-03	1	C'BORE BAR ASSEMBLY, 3"
3	69-3024-00	1	C'BORE BASE ASSEMBLY



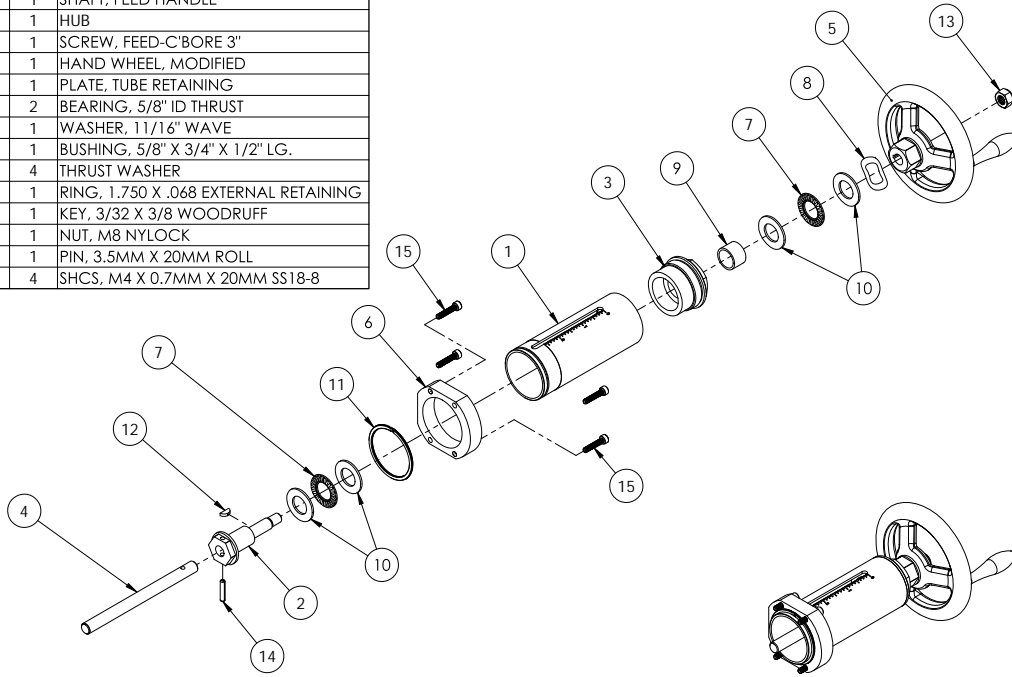
### 6" Counterbore Slide, 69-4606-00

ITEM	PART NUMBER	QTY	DESCRIPTION
1	69-3022-06	1	C'BORE HOUSING ASSEMBLY, 6"
2	69-3023-06	1	C'BORE BAR ASSEMBLY, 6"
3	69-3024-00	1	C'BORE BASE ASSEMBLY



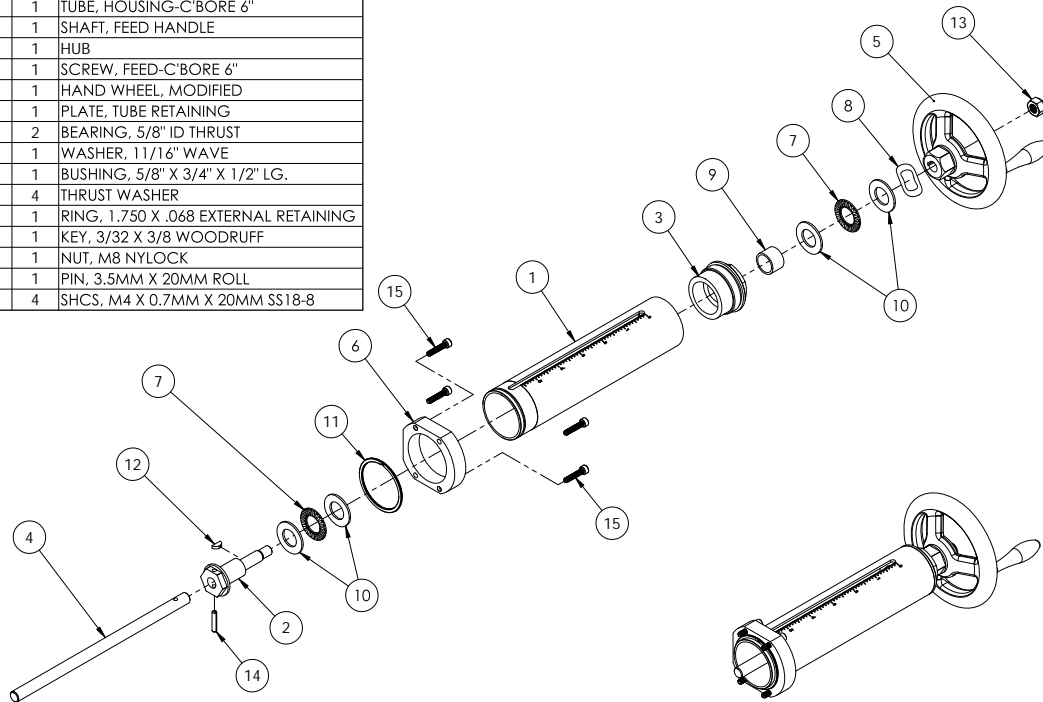
### 3" Counterbore Housing Assembly, 69-3022-03

ITEM	PART NUMBER	QTY	DESCRIPTION
1	69-0101-03	1	TUBE, HOUSING-C'BORE 3"
2	69-0102-00	1	SHAFT, FEED HANDLE
3	69-0103-00	1	HUB
4	69-0104-03	1	SCREW, FEED-C'BORE 3"
5	69-0105-00	1	HAND WHEEL, MODIFIED
6	69-0106-00	1	PLATE, TUBE RETAINING
7	69-8028-00	2	BEARING, 5/8" ID THRUST
8	69-8029-00	1	WASHER, 11/16" WAVE
9	69-8030-00	1	BUSHING, 5/8" X 3/4" X 1/2" LG.
10	69-8031-00	4	THRUST WASHER
11	69-8032-00	1	RING, 1.750 X .068 EXTERNAL RETAINING
12	90-019-43	1	KEY, 3/32 X 3/8 WOODRUFF
13	90-1016-00	1	NUT, M8 NYLOCK
14	90-1022-20	1	PIN, 3.5MM X 20MM ROLL
15	90-1023-20	4	SHCS, M4 X 0.7MM X 20MM SS18-8



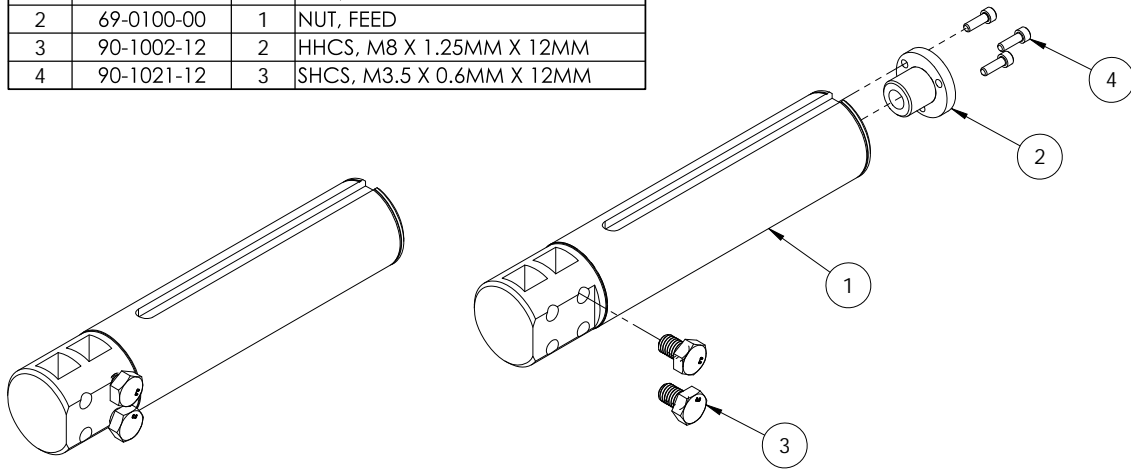
### 6" Counterbore Housing Assembly, 69-3022-06

ITEM	PART NUMBER	QTY	DESCRIPTION
1	69-0101-06	1	TUBE, HOUSING-C'BORE 6"
2	69-0102-00	1	SHAFT, FEED HANDLE
3	69-0103-00	1	HUB
4	69-0104-06	1	SCREW, FEED-C'BORE 6"
5	69-0105-00	1	HAND WHEEL, MODIFIED
6	69-0106-00	1	PLATE, TUBE RETAINING
7	69-8028-00	2	BEARING, 5/8" ID THRUST
8	69-8029-00	1	WASHER, 11/16" WAVE
9	69-8030-00	1	BUSHING, 5/8" X 3/4" X 1/2" LG.
10	69-8031-00	4	THRUST WASHER
11	69-8032-00	1	RING, 1.750 X .068 EXTERNAL RETAINING
12	90-019-43	1	KEY, 3/32 X 3/8 WOODRUFF
13	90-1016-00	1	NUT, M8 NYLOCK
14	90-1022-20	1	PIN, 3.5MM X 20MM ROLL
15	90-1023-20	4	SHCS, M4 X 0.7MM X 20MM SS18-8

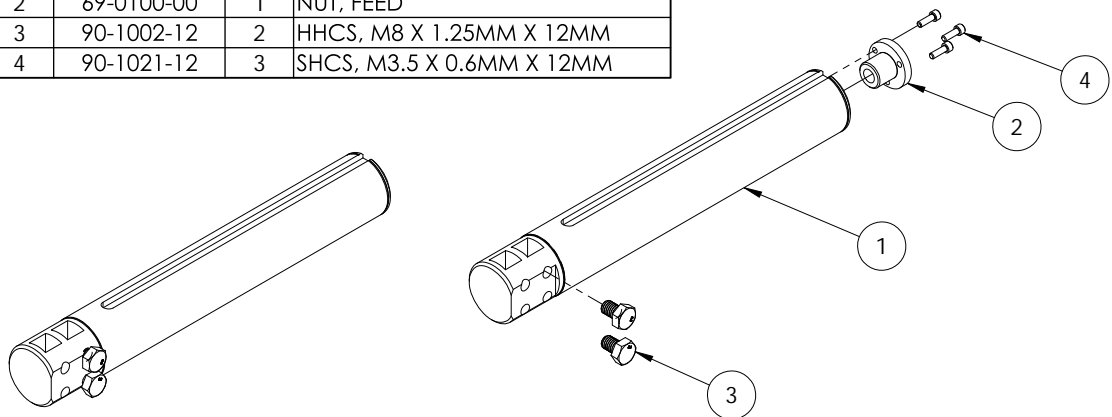


**3" Counterbore Bar Assembly, 69-3023-03**

ITEM	PART NUMBER	QTY	DESCRIPTION
1	69-0099-03	1	BAR, C'BORE 3"
2	69-0100-00	1	NUT, FEED
3	90-1002-12	2	HHCS, M8 X 1.25MM X 12MM
4	90-1021-12	3	SHCS, M3.5 X 0.6MM X 12MM

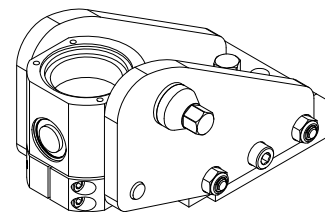
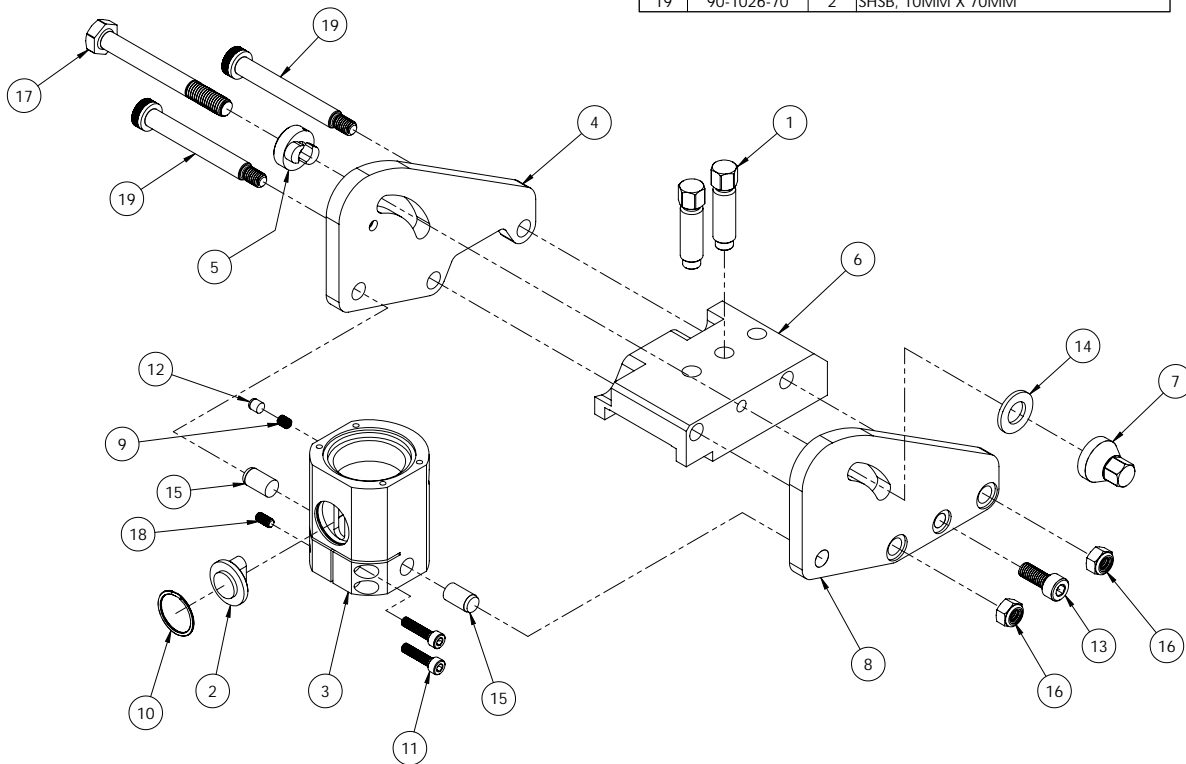
**6" Counterbore Bar Assembly, 69-3023-06**

ITEM	PART NUMBER	QTY	DESCRIPTION
1	69-0099-06	1	BAR, C'BORE 6"
2	69-0100-00	1	NUT, FEED
3	90-1002-12	2	HHCS, M8 X 1.25MM X 12MM
4	90-1021-12	3	SHCS, M3.5 X 0.6MM X 12MM



### Counterbore Base Assembly, 69-3024-00

ITEM	PART NUMBER	QTY	DESCRIPTION
1	69-0002-00	2	SCREW, TOP LOCK
2	69-0107-00	1	KEY, BORING BAR
3	69-0108-00	1	HOUSING, PIVOT
4	69-0109-00	1	PLATE, PIVOT SLIDE-LEFT
5	69-0110-00	1	BLOCK, PIVOT SLIDE-LOCKING
6	69-0111-00	1	BLOCK, PIVOT SLIDE-MOUNTING
7	69-0112-00	1	NUT, PIVOT
8	69-0113-00	1	PLATE, PIVOT SLIDE-RIGHT
9	69-8033-00	1	SPRING, 6MM WAVE
10	69-8034-00	1	RING .987 X .037 INTERNAL RETAINING
11	90-1001-22	2	SHCS, M5 X 0.8MM X 22MM
12	90-1003-08	1	PIN, 6MM X 8MM DOWEL
13	90-1010-20	1	SHCS, M8 X 1.25MM X 20MM
14	90-1012-01	1	WASHER, M12 FLAT
15	90-1014-20	2	PIN, 10MM X 20MM DOWEL
16	90-1016-00	2	NUT, M8 NYLOCK
17	90-1024-90	1	HHCS, M10 X 1.5MM X 90MM
18	90-1025-10	1	SSS, M5 X 0.8MM X 10MM FLAT SS18-8
19	90-1026-70	2	SHSB, 10MM X 70MM

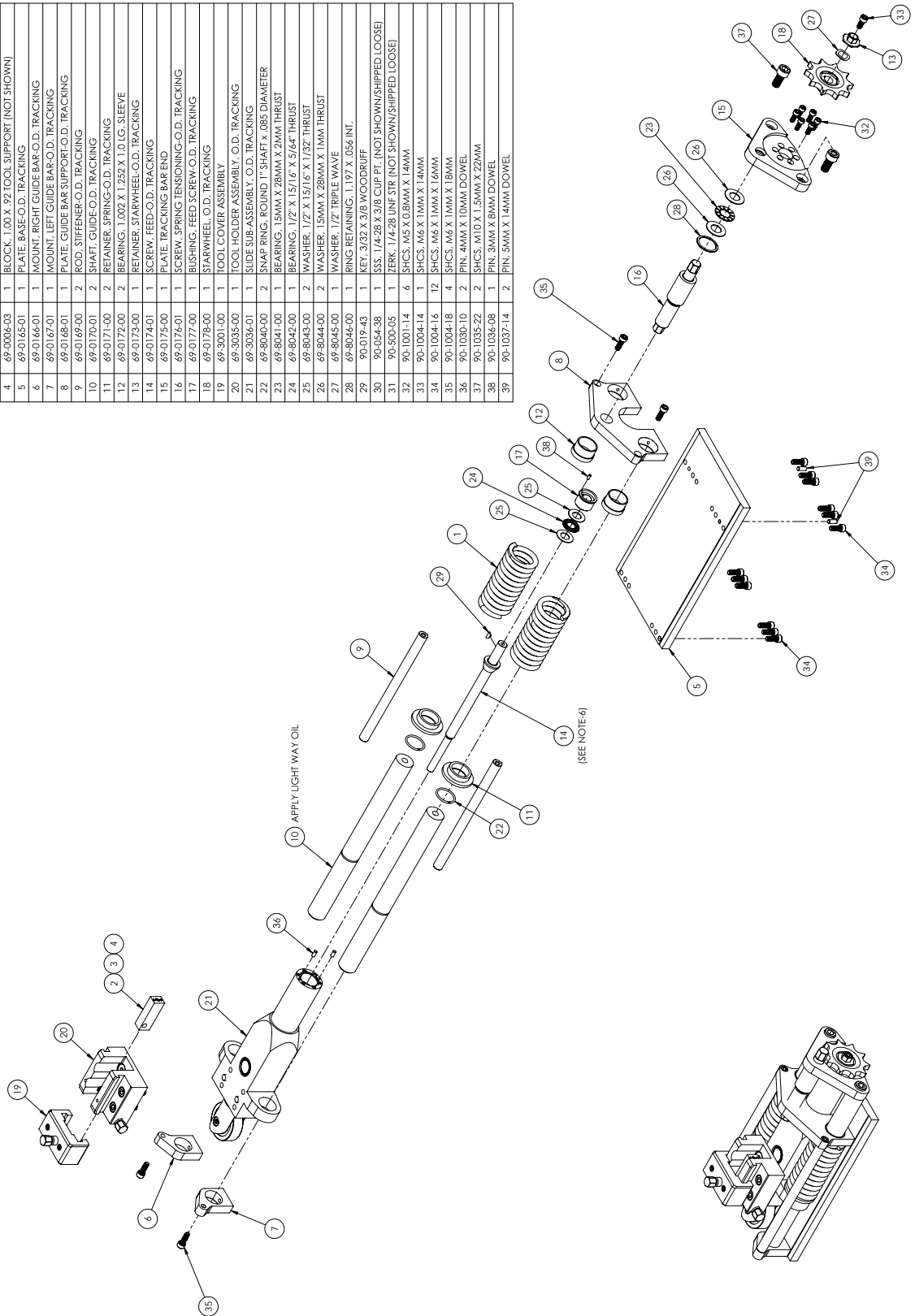




# O.D. TRACKING SLIDES

## O.D. Tracking Slide, 69-4604-01

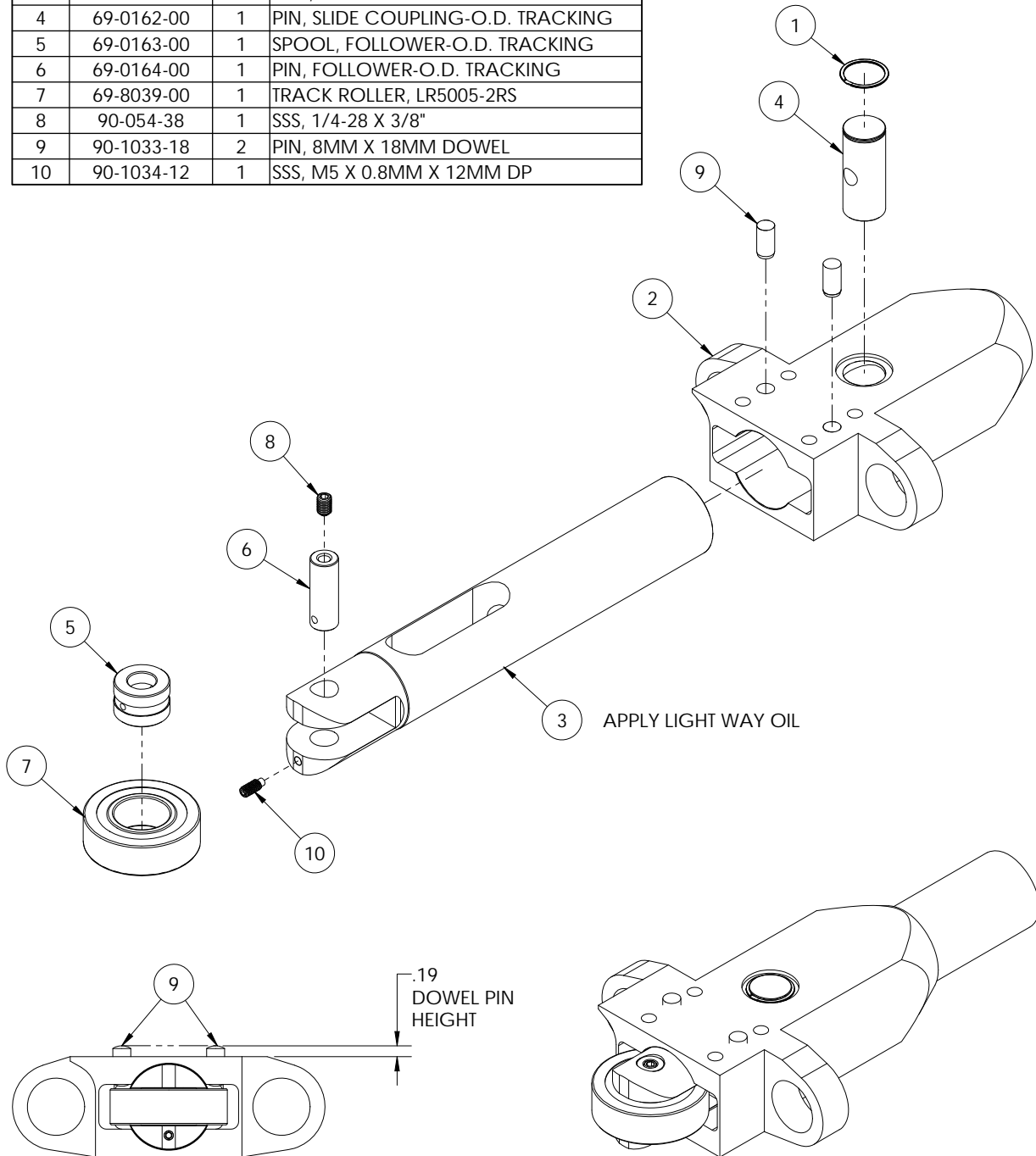
ITEM	PART NUMBER	QTY	DESCRIPTION
1	60-1042	2	SPRING, 1.795 X 1.271 X 6.0 LG.
2	69-0006-01	1	BLOCK, .67 TOOL SUPPORT
3	69-0006-02	1	BLOCK, .75 TOOL SUPPORT [NOT SHOWN]
4	69-0006-03	1	BLOCK, 1.00 X .92 TOOL SUPPORT [NOT SHOWN]
5	69-0165-01	1	PLATE, BASE-O.D. TRACKING
6	69-0166-01	1	MOUNT, RIGHT GUIDE BAR-O.D. TRACKING
7	69-0167-01	1	MOUNT, LEFT GUIDE BAR-O.D. TRACKING
8	69-0168-01	1	PLATE, GUIDE BAR SUPPORT-O.D. TRACKING
9	69-0169-00	2	ROD, STIFFENER-O.D. TRACKING
10	69-0170-01	2	SHAFT, GUIDE-O.D. TRACKING
11	69-0171-00	2	RETAINER, SPRING-O.D. TRACKING
12	69-0172-00	2	BEARING, 1.002 X 1.259 X 1.0 LG. SLEEVE
13	69-0173-00	1	RETAINER, STARWHEEL-O.D. TRACKING
14	69-0174-01	1	SCREW, FEED-O.D. TRACKING
15	69-0175-00	1	PLATE, TRACKING BAR END
16	69-0176-01	1	SCREW, SPRING TENSIONING-O.D. TRACKING
17	69-0177-00	1	BUSHING, FEED SCREW-O.D. TRACKING
18	69-0178-00	1	STARWHEEL O.D. TRACKING
19	69-3001-00	1	TOOL COVER ASSEMBLY
20	69-3035-00	1	TOOL HOLDER ASSEMBLY, O.D. TRACKING
21	69-3036-01	1	SLIDE SUB-ASSEMBLY, O.D. TRACKING
22	69-8040-00	2	SNAP RING, ROUND 1" SHAFT X .085 DIAMETER
23	69-8041-00	1	BEARING, 15MM X 28MM X 2MM THRUST
24	69-8042-00	1	BEARING, 1/2" X 15/16" X 5/64" THRUST
25	69-8043-00	2	WASHER, 1/2" X 15/16" X 1/32" THRUST
26	69-8044-00	2	WASHER, 15MM X 28MM X 1MM THRUST
27	69-8045-00	1	WASHER, 1/2" TRIPLE WAVE
28	69-8046-00	1	RING, RETAINING, 1.197 X .056 INT.
29	90-0191-43	1	KEY, 3/32 X 3/8 WOODRUFF
30	90-0564-38	1	ISS, 1/4 X 28 X 3/8 CUP PT. [NOT SHOWN/SHIPPED LOOSE]
31	90-3003-05	1	ZERR, 1/4-28 UNF STR [NOT SHOWN/SHIPPED LOOSE]
32	90-1001-14	6	SHCS, M5 X 0.8MM X 14MM
33	90-1004-14	1	SHCS, M6 X 1MM X 14MM
34	90-1004-16	12	SHCS, M6 X 1MM X 16MM
35	90-1004-18	4	SHCS, M6 X 1MM X 18MM
36	90-1030-10	2	PIN, 4MM X 10MM DOWEL
37	90-1035-22	2	SHCS, M10 X 1.5MM X 22MM
38	90-1036-08	1	PIN, 3MM X 8MM DOWEL
39	90-1037-14	2	PIN, 5MM X 14MM DOWEL



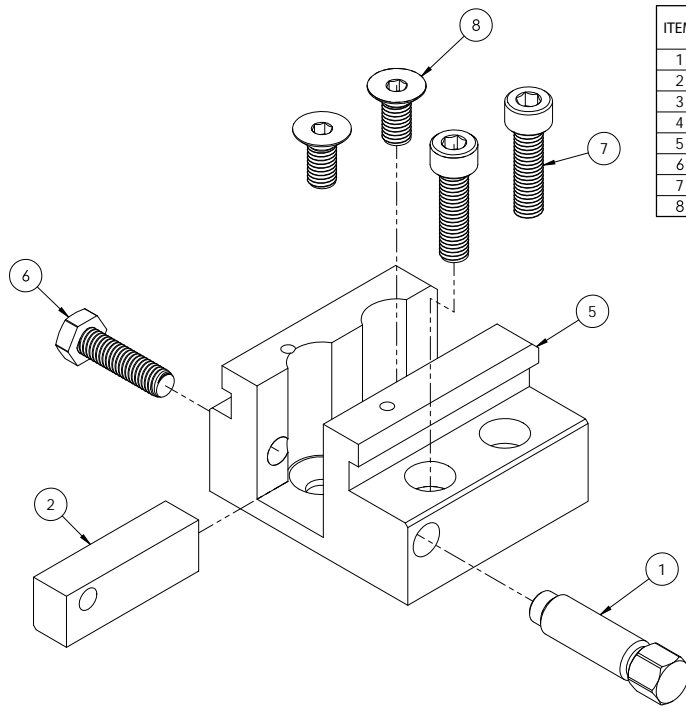
### O.D. Tracking Slide Sub-Assembly, 69-3036-01

ITEM	PART NUMBER	QTY	DESCRIPTION
1	60-1256-00	1	RETAINING RING, EXTERNAL
2	69-0160-00	1	SLIDE, FEMALE-O.D. TRACKING
3	69-0161-01	1	BAR, SLIDE-O.D. TRACKING
4	69-0162-00	1	PIN, SLIDE COUPLING-O.D. TRACKING
5	69-0163-00	1	SPOOL, FOLLOWER-O.D. TRACKING
6	69-0164-00	1	PIN, FOLLOWER-O.D. TRACKING
7	69-8039-00	1	TRACK ROLLER, LR5005-2RS
8	90-054-38	1	SSS, 1/4-28 X 3/8"
9	90-1033-18	2	PIN, 8MM X 18MM DOWEL
10	90-1034-12	1	SSS, M5 X 0.8MM X 12MM DP

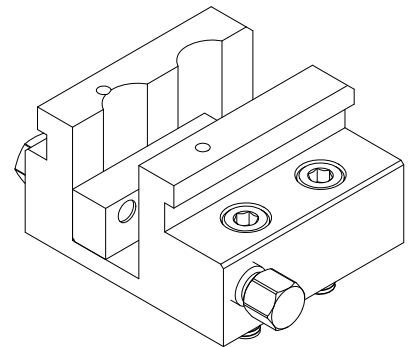
REV A



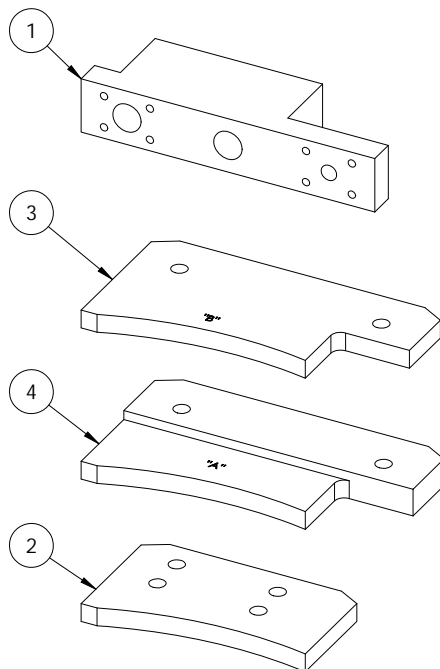
### O.D. Tracking Slide Tool Holder Assembly, 69-3035-00



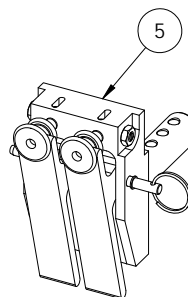
ITEM	PART NUMBER	QTY	DESCRIPTION
1	69-0002-00	1	SCREW, TOP LOCK
2	69-0006-01	1	BLOCK, .67 TOOL SUPPORT
3	69-0006-02	1	BLOCK, .75 TOOL SUPPORT (NOT SHOWN)
4	69-0006-03	1	BLOCK, 1.00 X .92 TOOL SUPPORT (NOT SHOWN)
5	69-0159-00	1	HOLDER, TOOL-O.D. TRACKING
6	90-1002-30	1	HHCS, M8 X 1.25MM X 30MM
7	90-1010-30	2	SHCS, M8 X 1.25MM X 30MM
8	90-1032-18	2	FHCS, M8 X 1.25MM X 18MM



### BRIDGE SLIDE ADAPTER KIT, 69-5300-00

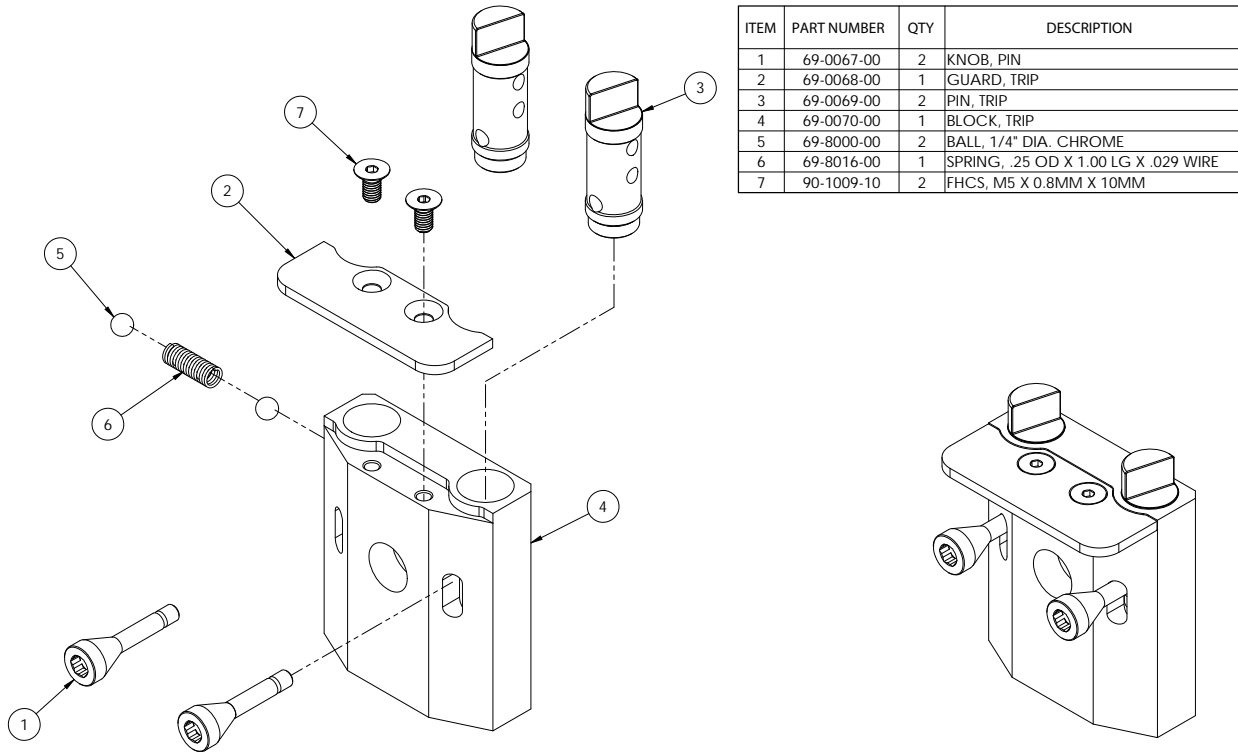


ITEM	PART NUMBER	QTY	DESCRIPTION
1	69-0199-00	1	SUPPORT, BOTTOM
2	69-0200-00	1	SUBPLATE, BRIDGE SLIDE BOTTOM
3	69-0201-00	1	SUBPLATE, 24" BRIDGE SLIDE TOP
4	69-0202-00	1	SUBPLATE, BRIDGE SLIDE TOP "A"
5	69-3046-00	1	DUAL TRIP ASSEMBLY



## TRIP ASSEMBLIES

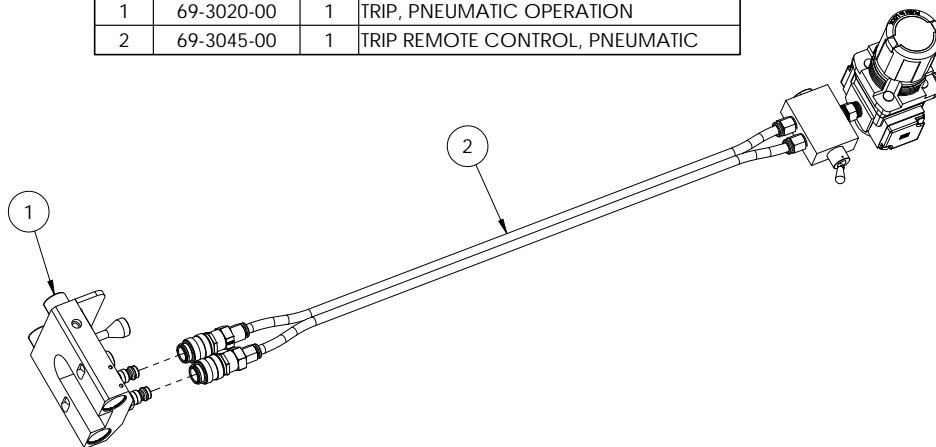
### Manual Trip, 69-3018-00



### Pneumatic Trip with Remote Control, 69-4741-00

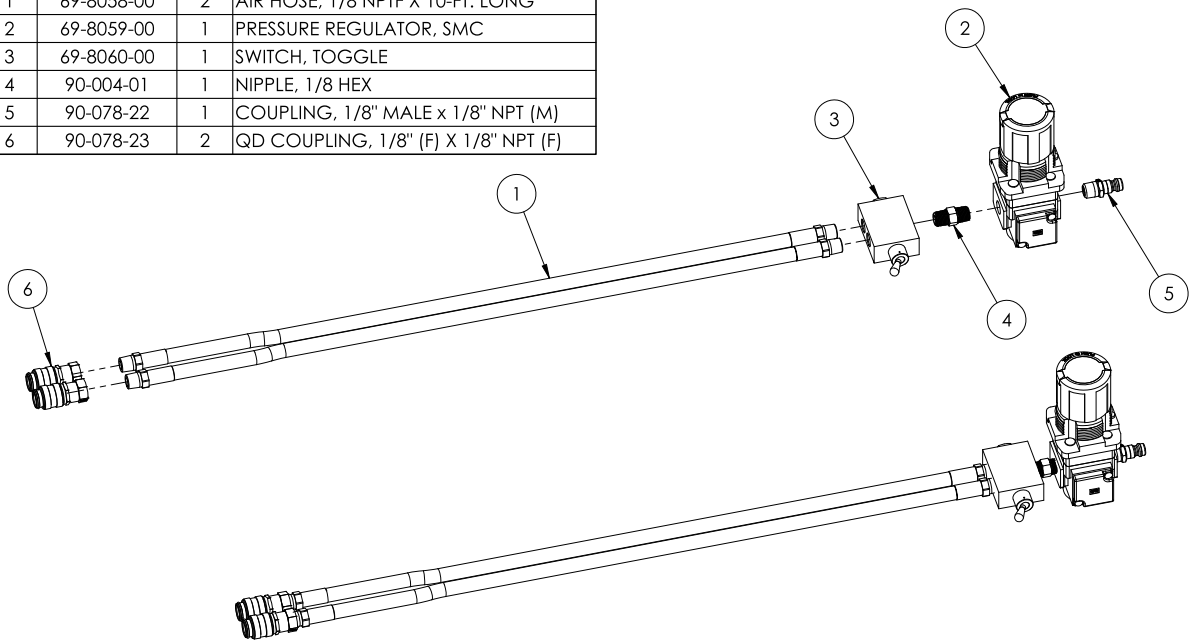
REV C

ITEM	PART NUMBER	QTY	DESCRIPTION
1	69-3020-00	1	TRIP, PNEUMATIC OPERATION
2	69-3045-00	1	TRIP REMOTE CONTROL, PNEUMATIC



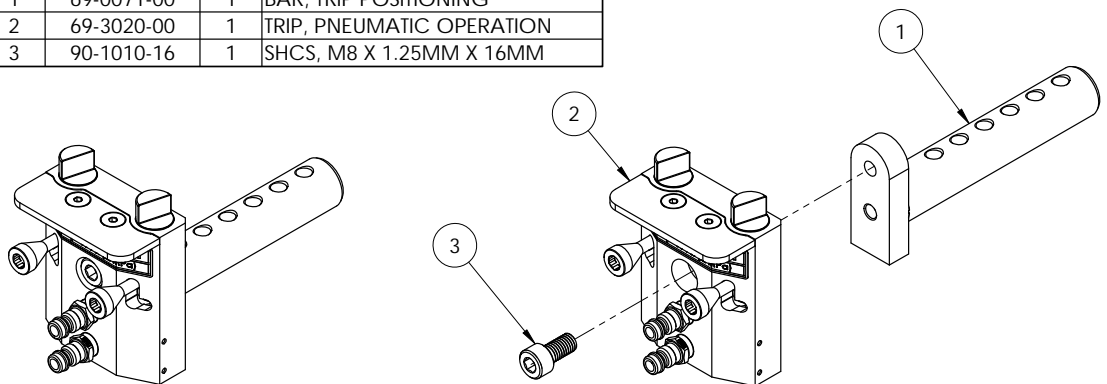
## Pneumatic Trip Remote Control, 69-3045-00

ITEM	PART NUMBER	QTY	DESCRIPTION
1	69-8058-00	2	AIR HOSE, 1/8 NPTF X 10-FT. LONG
2	69-8059-00	1	PRESSURE REGULATOR, SMC
3	69-8060-00	1	SWITCH, TOGGLE
4	90-004-01	1	NIPPLE, 1/8 HEX
5	90-078-22	1	COUPLING, 1/8" MALE x 1/8" NPT (M)
6	90-078-23	2	QD COUPLING, 1/8" (F) X 1/8" NPT (F)

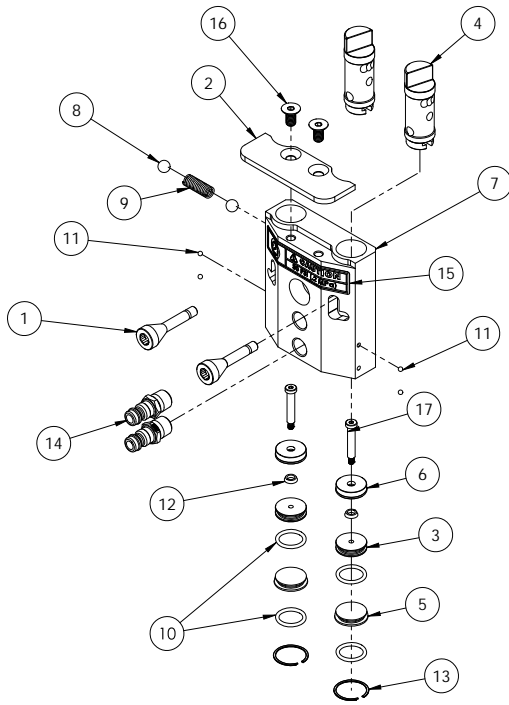


## Pneumatic Trip Assembly, 69-3047-00

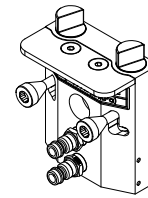
ITEM	PART NUMBER	QTY	DESCRIPTION
1	69-0071-00	1	BAR, TRIP POSITIONING
2	69-3020-00	1	TRIP, PNEUMATIC OPERATION
3	90-1010-16	1	SHCS, M8 X 1.25MM X 16MM



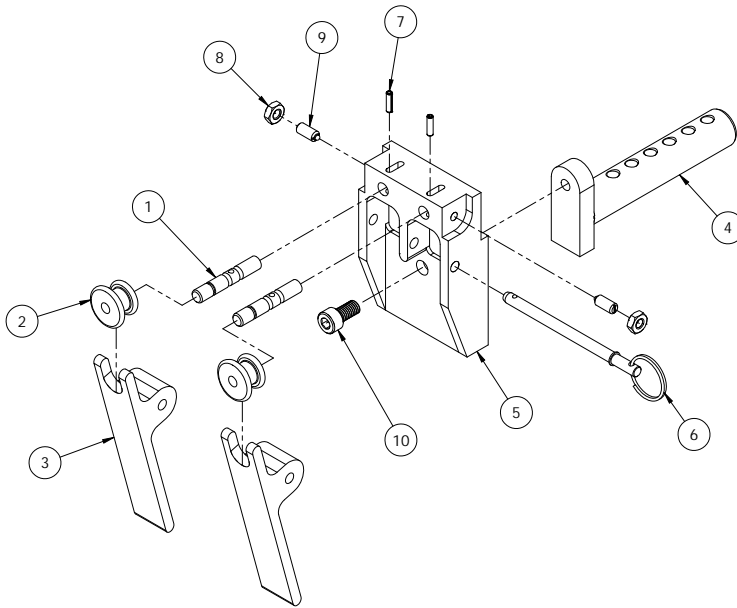
### Pneumatic Trip, 69-3020-00



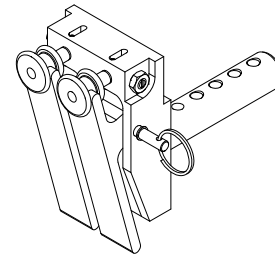
ITEM	PART NUMBER	QTY	DESCRIPTION
1	69-0067-00	2	KNOB, PIN
2	69-0068-00	1	GUARD, TRIP
3	69-0074-00	2	PISTON, PNEUMATIC TRIP
4	69-0075-00	2	PIN, PNEUMATIC TRIP
5	69-0076-00	2	CAP, CYLINDER PNEUMATIC TRIP
6	69-0077-00	2	HEAD, CYLINDER PNEUMATIC TRIP
7	69-0078-00	1	BLOCK, PNEUMATIC TRIP
8	69-8000-00	2	BALL, 1/4" DIA. CHROME
9	69-8016-00	1	SPRING, .25 OD X 1.00 LG X .029 WIRE
10	69-8017-00	4	O-RING, (-014) BUNA-N
11	69-8018-00	4	BALL, 3/32" DIA. CHROME
12	69-8019-00	2	SEAL, U-CUP 5/32" ID x 9/32" OD x 1/16" HT.
13	69-8020-00	2	RING, RETAINING
14	90-078-22	2	COUPLING, 1/8" MALE x 1/8" NPT (M)
15	90-407-00	1	LABEL, PRESSURE-AIR (MPa)
16	90-1009-10	2	FHCS, M5 X 0.8MM X 10MM
17	90-1011-20	2	SHSB, 4MM X 20MM SS18-8



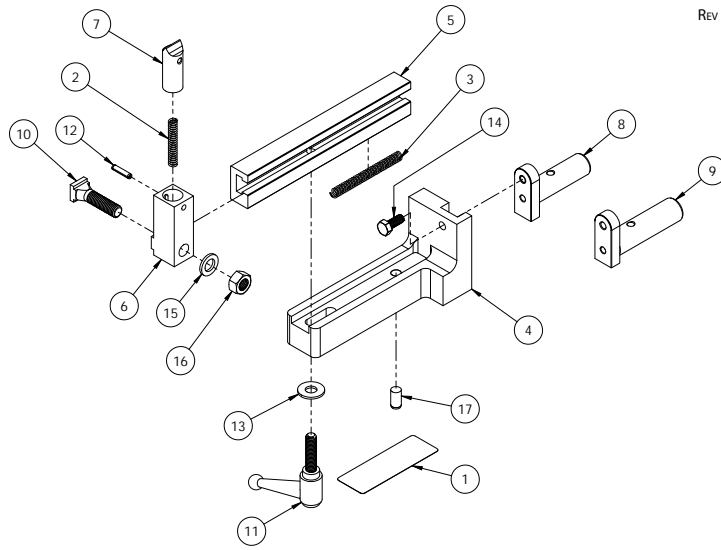
### Dual Trip Assembly, 69-3046-00



ITEM	PART NUMBER	QTY	DESCRIPTION
1	60-338-00	2	PIN, TRIP
2	60-1048-00	2	SPOOL
3	60-1049-00	2	LEVER
4	69-0071-00	1	BAR, TRIP POSITIONING
5	69-0203-00	1	BLOCK, DUAL TRIP PIN HOUSING
6	69-8057-00	1	QUICK PIN
7	90-026-55	2	1/8" X 1/2" PIN
8	90-055-04	2	NUT, 1/4-20 JAM
9	90-059-08	2	SPRING PLUNGER
10	90-1010-16	1	SHCS, M8 X 1.25MM X 16MM



# Spring Loaded Trip Assembly for O.D. Tracking Slides, 69-4744-01



Rev A

ITEM	PART NUMBER	QTY	DESCRIPTION
1	03-113-04	1	LABEL, WARNING-MOVING PARTS
2	60-1044	1	SPRING, .329 X .211 X 2.0 LG.
3	60-1225-00	1	SPRING, SLIDE
4	69-0079-00	1	BLOCK, TRIP MOUNTING
5	69-0080-01	1	SLIDE, TRIP
6	69-0081-00	1	HOUSING, FEED PIN
7	69-0082-00	1	FEED, TRIP
8	69-0083-00	1	BAR, TRIP POSITIONING 12"- 24"
9	69-0239-00	1	BAR, O.D. TRACKING TRIP 28"- 60"
10	69-8021-00	1	BOLT, T-SLOT M12 X 50MM LG.
11	69-8056-00	1	HANDLE, ADJUSTABLE M10
12	90-146-08	1	PIN, 3/16 X 7/8 ROLL, SS
13	90-175-51	1	WASHER, 3/8 FLAT SS18-8
14	90-1002-20	1	HHCS, M8 X 1.25MM X 20MM
15	90-1012-00	1	WASHER, M12 FLAT-EXTRA THICK SS18-8
16	90-1013-00	1	NUT, M12 HEX SS18-8
17	90-1014-22	1	PIN, 10MM X 22MM DOWEL

